

MPS Catalog Number:

H2 90 10 088 BA SS 043

Date:

05/20/2021

End Fittings

Tower End Fitting:

Gain / 12 deg / Steel

Line End Fitting:

Anchor / Ductile Iron
2 HL Drop Tongue / Galv. Ductile Iron

Material

Corona Ring (Tower):

None

Corona Ring (Line):

6" Corona Ring

Corona Rings are recommended for applications of 230 kV and above

Mounting Angle:

12 deg

Number of Sheds:

43

Rod Diameter:

2.5 in

Weight Estimate:

107.8 lbs

49 kg

Dimensional Values

Section Length (L):

97.3 in 2,471 mm

Rubber Length (X):

88 in 2,235 mm

Shed spacing (S):

2 in 51 mm

Shed Projection (P):

2.4 in 61 mm

Dry Arc Distance:

88.8 in 2,256 mm

Leakage Distance:

281.5 in 7,150 mm

Electricals Values

60 Hz dry Flashover (Min. Withstand):

806 kV 757 kV

60 Hz Wet Flashover (Min. Withstand):

727 kV 593 kV

CIFO Positive (Min. Withstand):

1418 kV 1246 kV

CIFO Negative (Min. Withstand):

1438 kV 1302 kV

Mechanical Values

Max. Design Cant. Load (MDCL):

906 lbs 4.0 kN

Specified Cant. Load (SCL):

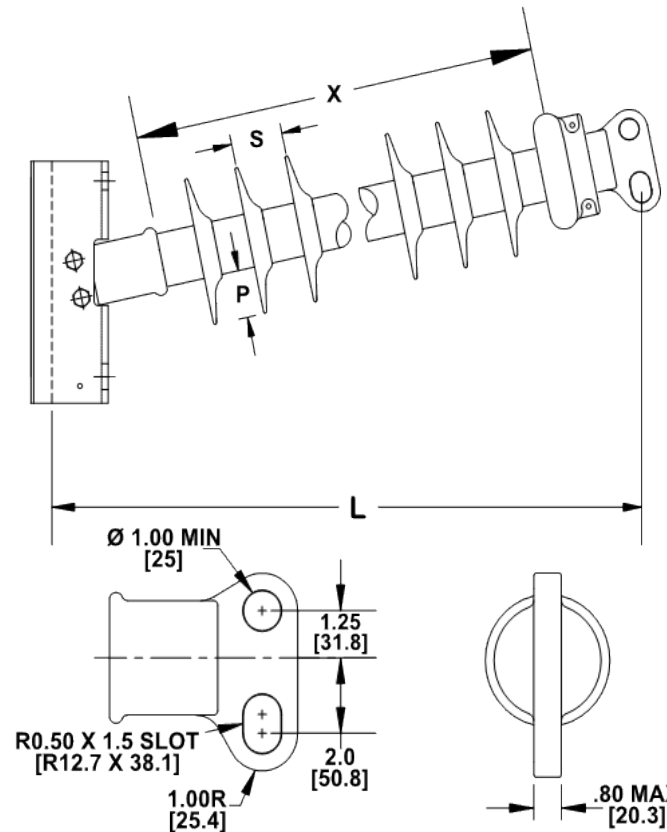
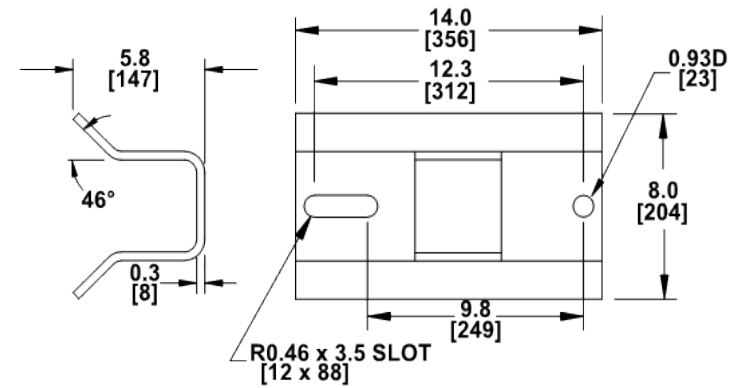
1,812 lbs 8.1 kN

Specified Tensile Load (STL):

15,000 lbs 66.7 kN

This drawing contains confidential information that is the property of MacLean Power, L.L.C. ("MacLean"). Use of MacLean's confidential information without MacLean's express written consent is strictly prohibited and may expose you to legal liability. If you believe that you received this material in error, please destroy it or return it to "MacLean Power, L.L.C., 7801 Park Place Rd., York, South Carolina 29745, USA."

Notes:



Dimension: inches [millimeters]

NOTE: Drawing not actual depiction of insulator appearance.

Silicone rubber sheath and sheds complies with applicable ANSI and IEC standards.

Prepared By: Laurel Wallace