

MPS Catalog Number:

Date:

**H3 90 10 064 BX SS 031**

05/20/2021

**End Fittings**

Tower End Fitting:

Gain/12"-14" Hole Spacing

Anchor / Galv. Ductile Iron

Line End Fitting:

2 HL Drop Tongue / Galv. Ductile Iron

**Material**

Corona Ring (Tower):

None

Corona Ring (Line):

None

Corona Rings are recommended for applications of 230 kV and above

Mounting Angle:

17 deg

Number of Sheds:

31

Rod Diameter:

3 in

Weight Estimate:

123.5 lbs

56 kg

**Dimensional Values**

Section Length (L):

76.6 in 1,946 mm

Rubber Length (X):

64 in 1,626 mm

Shed spacing (S):

2 in 51 mm

Shed Projection (P):

2.7 in 68 mm

Dry Arc Distance:

67 in 1,702 mm

Leakage Distance:

214.9 in 5,458 mm

**Electricals Values**

60 Hz dry Flashover (Min. Withstand):

621 kV 583 kV

60 Hz Wet Flashover (Min. Withstand):

570 kV 457 kV

CIFO Positive (Min. Withstand):

1087 kV 960 kV

CIFO Negative (Min. Withstand):

1123 kV 1007 kV

**Mechanical Values**

Max. Design Cant. Load (MDCL):

2,001 lbs 8.9 kN

Specified Cant. Load (SCL):

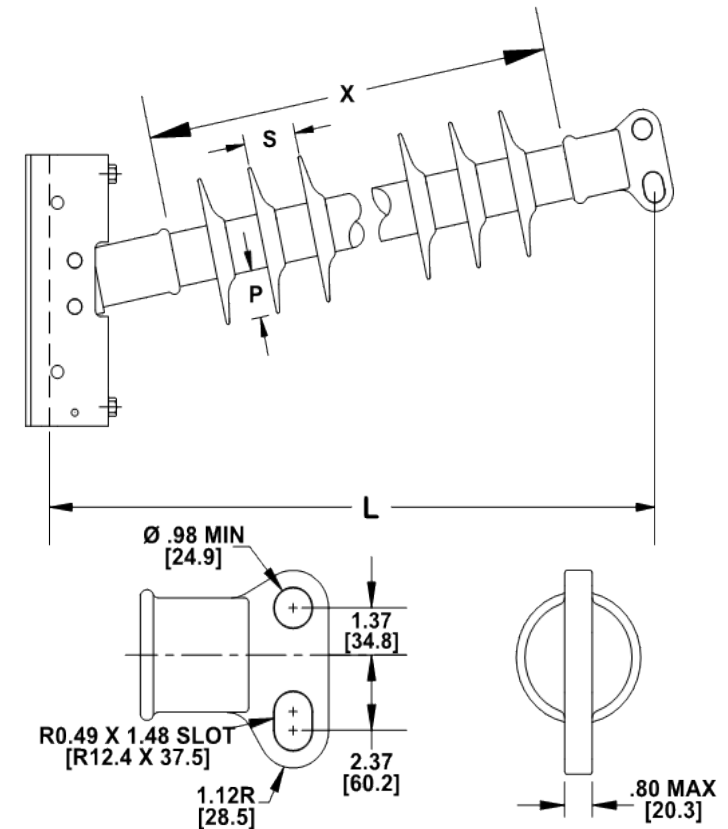
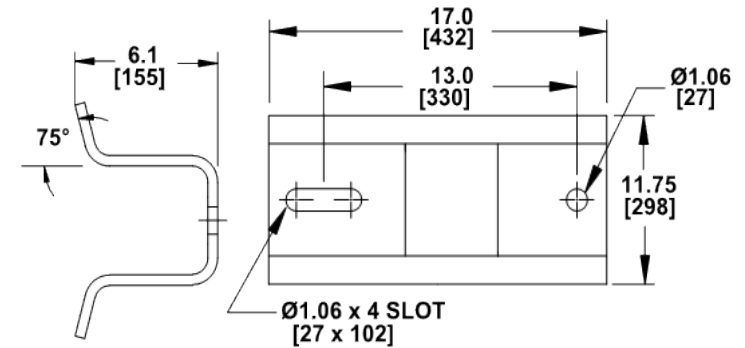
4,002 lbs 17.8 kN

Specified Tensile Load (STL):

20,000 lbs 89.0 kN

This drawing contains confidential information that is the property of MacLean Power, L.L.C. ("MacLean"). Use of MacLean's confidential information without MacLean's express written consent is strictly prohibited and may expose you to legal liability. If you believe that you received this material in error, please destroy it or return it to "MacLean Power, L.L.C., 7801 Park Place Rd., York, South Carolina 29745, USA."

Notes:



Dimension: inches [millimeters]

NOTE: Drawing not actual depiction of insulator appearance.

Silicone rubber sheath and sheds complies with applicable ANSI and IEC standards.

Prepared By: Laurel Wallace