

MPS Catalog Number:

Date:

H3 90 10 076 BX SS 037

05/20/2021

End Fittings

Tower End Fitting:

Gain/12"-14" Hole Spacing

Anchor / Galv. Ductile Iron

Line End Fitting:

2 HL Drop Tongue / Galv. Ductile Iron

Material

Corona Ring (Tower):

None

Corona Ring (Line):

None

Corona Rings are recommended for applications of 230 kV and above

Mounting Angle:

17 deg

Number of Sheds:

37

Rod Diameter:

3 in

Weight Estimate:

135.7 lbs

62 kg

Dimensional Values

Section Length (L):

88.1 in 2,238 mm

Rubber Length (X):

76 in 1,930 mm

Shed spacing (S):

2 in 51 mm

Shed Projection (P):

2.7 in 68 mm

Dry Arc Distance:

79 in 2,007 mm

Leakage Distance:

256.1 in 6,505 mm

Electricals Values

60 Hz dry Flashover (Min. Withstand):

724 kV 679 kV

60 Hz Wet Flashover (Min. Withstand):

658 kV 533 kV

CIFO Positive (Min. Withstand):

1271 kV 1119 kV

CIFO Negative (Min. Withstand):

1297 kV 1170 kV

Mechanical Values

Max. Design Cant. Load (MDCL):

1,708 lbs 7.6 kN

Specified Cant. Load (SCL):

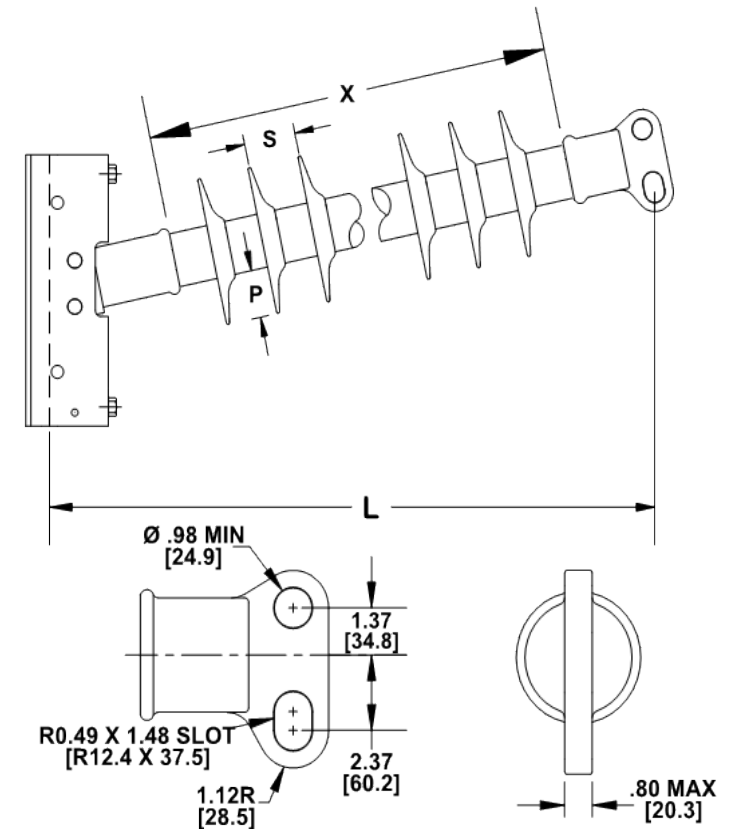
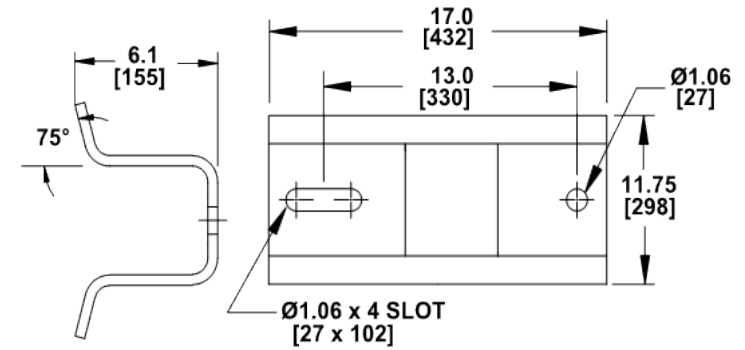
3,416 lbs 15.2 kN

Specified Tensile Load (STL):

20,000 lbs 89.0 kN

This drawing contains confidential information that is the property of MacLean Power, L.L.C. ("MacLean"). Use of MacLean's confidential information without MacLean's express written consent is strictly prohibited and may expose you to legal liability. If you believe that you received this material in error, please destroy it or return it to "MacLean Power, L.L.C., 7801 Park Place Rd., York, South Carolina 29745, USA."

Notes:



Dimension: inches [millimeters]

NOTE: Drawing not actual depiction of insulator appearance.

Silicone rubber sheath and sheds complies with applicable ANSI and IEC standards.

Prepared By: Laurel Wallace