

MPS Catalog Number:

H3 90 10 106 AB SS 041

Date:

05/20/2021

End Fittings

Tower End Fitting:

Gain/12"-14" Hole Spacing

Anchor / Galv. Ductile Iron

Line End Fitting:

2 HL Drop Tongue / Galv. Ductile Iron

Material

Corona Ring (Tower):

None

Corona Ring (Line):

12" Corona Ring

Corona Rings are recommended for applications of 230 kV and above

Mounting Angle:

17 deg

Number of Sheds:

41

Rod Diameter:

3 in

Weight Estimate:

163.1 lbs

74 kg

Dimensional Values

Section Length (L):

116.8 in 2,967 mm

Rubber Length (X):

106 in 2,692 mm

Shed spacing (S):

2.5 in 64 mm

Shed Projection (P):

2.7 in 68 mm

Dry Arc Distance:

106.4 in 2,703 mm

Leakage Distance:

305.5 in 7,760 mm

Electricals Values

60 Hz dry Flashover (Min. Withstand):

952 kV 893 kV

60 Hz Wet Flashover (Min. Withstand):

831 kV 697 kV

CIFO Positive (Min. Withstand):

1673 kV 1469 kV

CIFO Negative (Min. Withstand):

1684 kV 1533 kV

Mechanical Values

Max. Design Cant. Load (MDCL):

1,258 lbs 5.6 kN

Specified Cant. Load (SCL):

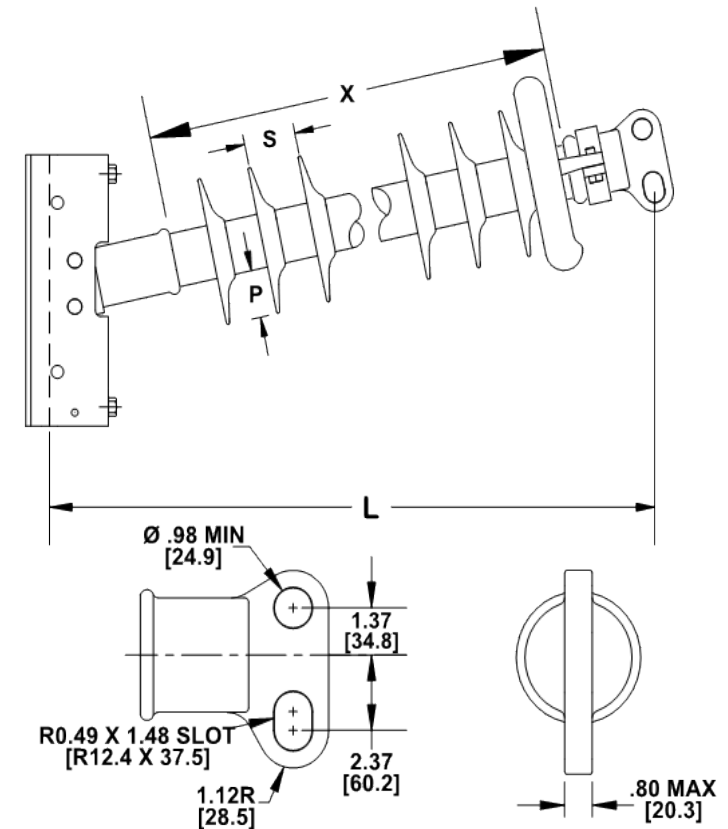
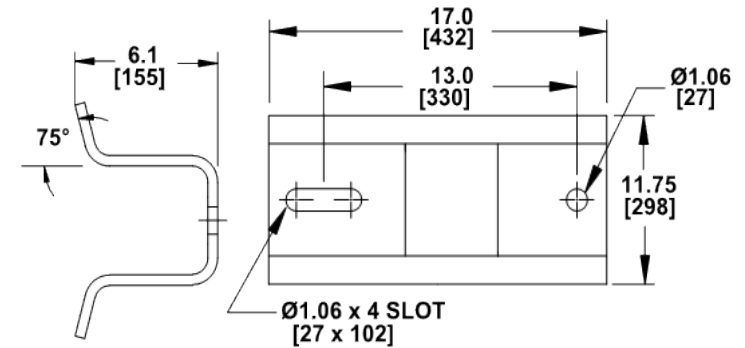
2,516 lbs 11.2 kN

Specified Tensile Load (STL):

20,000 lbs 89.0 kN

This drawing contains confidential information that is the property of MacLean Power, L.L.C. ("MacLean"). Use of MacLean's confidential information without MacLean's express written consent is strictly prohibited and may expose you to legal liability. If you believe that you received this material in error, please destroy it or return it to "MacLean Power, L.L.C., 7801 Park Place Rd., York, South Carolina 29745, USA."

Notes:



Dimension: inches [millimeters]

NOTE: Drawing not actual depiction of insulator appearance.

Silicone rubber sheath and sheds complies with applicable ANSI and IEC standards.

Prepared By: Laurel Wallace