



MacLean Power Systems

MPS Catalog Number:

MG525ZA

Rev.

A

ANSI Class:

ANSI 52-5

Ball and Socket Coupling:

w/ Zinc Sleeve

Type J

Shell Profile:

Aero

Weight:

11.9 lbs

5.4 kg

DIMENSIONS

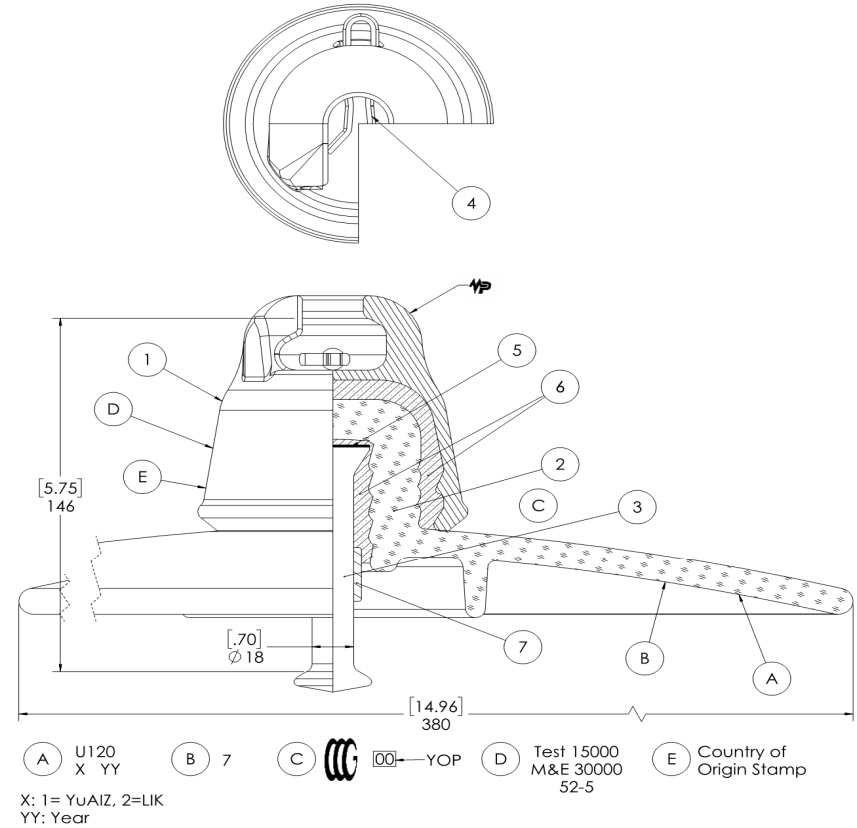
Diameter (D):	15.0 in	380 mm
Spacing:	5.75 in	146 mm
Leakage Distance:	14.4 in	365 mm

ELECTRICAL VALUES

Low Frequency Dry Flashover:	80 kV
Low Frequency Wet Flashover:	50 kV
Critical Impulse Flashover Positive (CIFO +):	125 kV
Critical Impulse Flashover Negative (CIFO -):	130 kV
Low Frequency Puncture Voltage:	130 kV
Radio Influence Voltage(RIV) Test Voltage:	10 kV
Maximum RIV at 1 MHz:	50 μV

MECHANICAL VALUES

Combined Electrical & Mechanical (M&E) Rating	30 klb	136 kN
Routine Test Mech. Proof Load:	15 klb	68 kN
Impact Strength:	400 in-lbs	45 N-m



Item#	Qty	Description	Material	Coating
1	1	Cap	Spheroidal Graphite Cast Iron	Hot dip galvanized 600g/m ²
2	1	Aero Shell	Toughened Glass	
3	1	Pin	Steel 40 Cr-Forged Steel	Hot dip galvanized (600g/m ²)
4	1	Cotter Pin	Stainless Steel V-16 ANSI	
5	1	Gasket	Interlaying Material	
6	- - -	Cement	Alumina Cement	
7	1	Zinc Sleeve	Zinc	

This drawing contains confidential information that is the property of MacLean Power LLC ("MacLean"). Use of MacLean's confidential information without MacLean's express written consent is strictly prohibited and may expose you to legal liability. If you believe that you received this material in error, please destroy it or return it to "MacLean Power, 7801 Park Place Rd. York, South Carolina 29745, USA"