



MacLean Power Systems

MPS Catalog Number:

MG525ZF

Rev.

A

ANSI Class: **ANSI 52-5**
 Ball and Socket Coupling: w/ Zinc Sleeve Type J
 Shell Profile: Fog
 Weight: 12.3 lbs 5.6 kg

DIMENSIONS

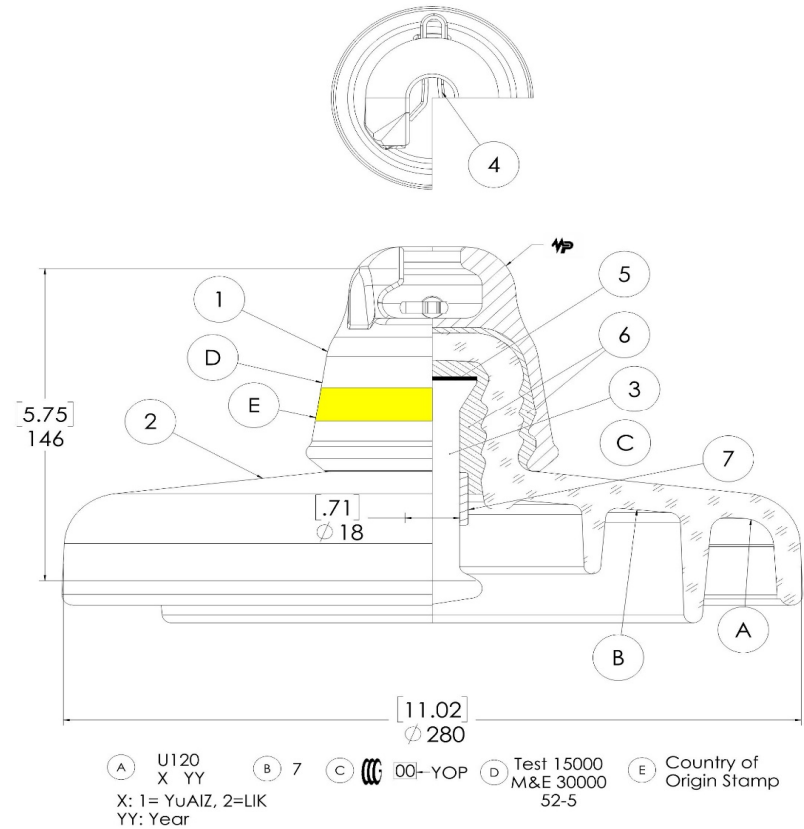
Diameter (D): 11.0 in 280 mm
 Spacing: 5.75 in 146 mm
 Leakage Distance: 17.5 in 445 mm

ELECTRICAL VALUES

Low Frequency Dry Flashover: 100 kV
 Low Frequency Wet Flashover: 60 kV
 Critical Impulse Flashover Positive (CIFO +): 140 kV
 Critical Impulse Flashover Negative (CIFO -): 140 kV
 Low Frequency Puncture Voltage: 130 kV
 Radio Influence Voltage(RIV) Test Voltage: 10 kV
 Maximum RIV at 1 MHz: 50 μV

MECHANICAL VALUES

Combined Electrical & Mechanical (M&E) Rating: 30 klb 136 kN
 Routine Test Mech. Proof Load: 15 klb 68 kN
 Impact Strength: 400 in-lbs 45 N-m



Item#	Qty	Description	Material	Coating
1	1	Cap	Spheroidal Graphite Cast Iron	Hot dip galvanized (600g/m ²)
2	1	Fog Shell	Toughened Glass	
3	1	Pin	Steel 40 Cr-Forged Steel	Hot dip galvanized (600g/m ²)
4	1	Cotter Pin	Stainless Steel V-16 ANSI	
5	1	Gasket	Interlaying Material	
6	---	Cement	Alumina Cement	
7	1	Zinc Sleeve	Zinc	

This drawing contains confidential information that is the property of MacLean Power LLC ("MacLean"). Use of MacLean's confidential information without MacLean's express written consent is strictly prohibited and may expose you to legal liability. If you believe that you received this material in error, please destroy it or return it to "MacLean Power, 7801 Park Place Rd. York, South Carolina 29745, USA"