



Date: 07/08/2020

Page: 1 of 1

Due to environmental, health, and safety requirements MacLean Power Systems suspended their in-house lead threading operations effective December 31, 2019.

Due to the lead threading obsolescence MPS is converting the J2840 and J2841 (Figure 1) lead pins to nylon threads effective immediately and these catalog numbers have been discontinued. Direct equivalent catalog number replacements have been created as J2840Z and J2841Z respectively with the only difference being the threads are nylon vs. lead.

Please take note and update any standards accordingly. Drawings are available for the nylon threaded parts upon request. All new orders should be placed under the new nylon equivalent catalog numbers; existing orders will be produced as previously entered and any exceptions will be communicated accordingly.

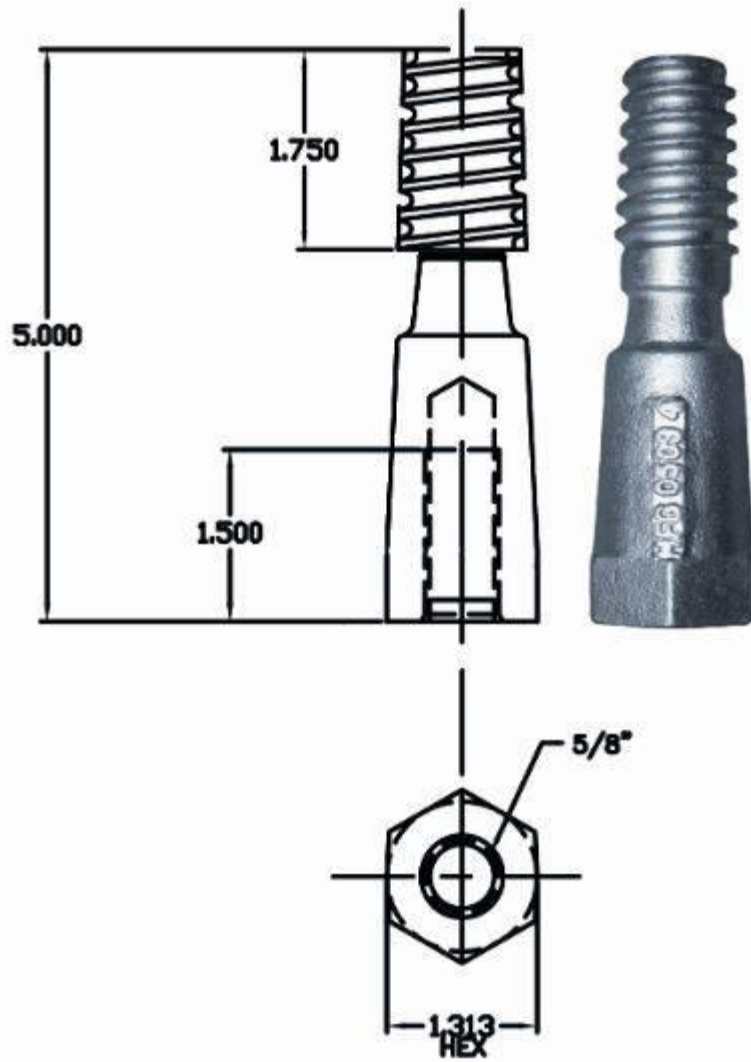
Please contact your MPS representative for assistance with specification or to obtain additional help as needed.

**Michael Valenza | Product Manager**

**MPS – Alabama Operations**

1909 Highway 87, Alabaster, AL 35007

[www.macleancleanpower.com](http://www.macleancleanpower.com)



Catalog Number	Lead Thread (Inches)	Weight/100 (lbs)
J2840	1	81
J2841	1-3/8	150

Figure 1 – Reference J2840 and J2841 with lead thread