

INSTALLATION INSTRUCTIONS FOR POLYMER HOUSED ARRESTERS

Read this entire instruction sheet before beginning installation.

NOTICE

Remove temporary wire restraint on GLD (isolator) before installation of arrester. Figure 1.

Factory supplied copper straps/braided cable remain attached at the stud, remove the wire tie at the opposite end before properly grounding. Figure 2.

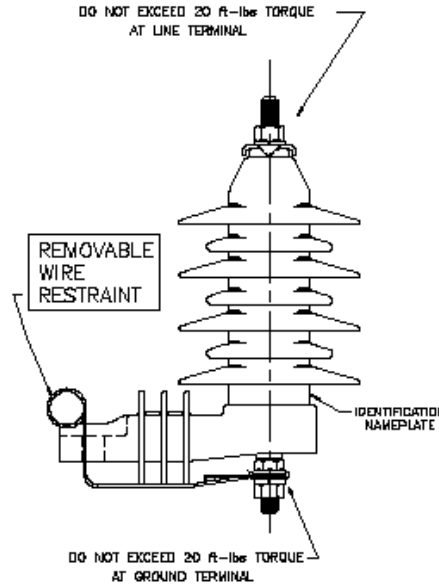


Figure 1

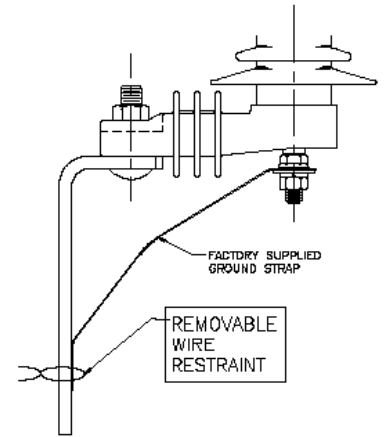


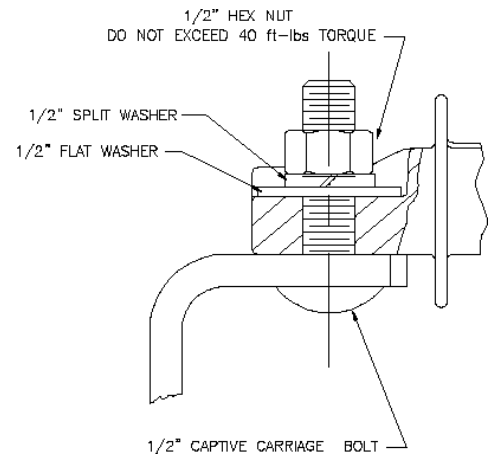
Figure 2

ELECTRICAL CONNECTIONS

- Keep line and ground leads as short as possible for best performance.
- Make a reliable ground connection before connecting arrester to energized line.

MOUNTING

The diagram shows the recommended placement of the mounting hardware supplied with MacLean Power crossarm and transformer mounted polymer distribution arresters.



NOTE: Improper installation voids the warranty on this product. It is intended that this surge arrester be installed by personnel familiar with the safety practices required for working with high voltage equipment. This instruction sheet is written for such personnel and is not a substitute for proper training and experience in safe operation with this type of equipment. This instruction sheet does not cover all possible contingencies involved with installation of these arresters. If problems should arise that are not covered, contact MACLEAN POWER SYSTEMS.