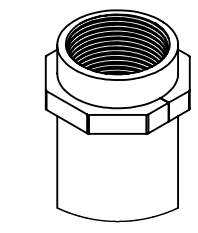
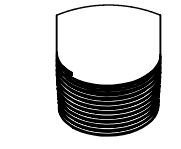
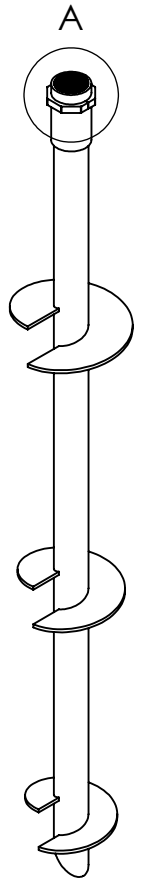


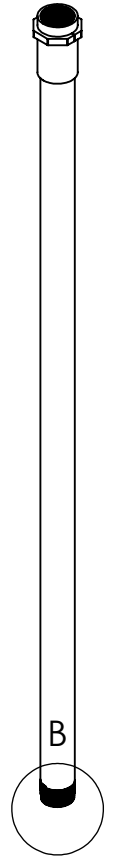
PAPER SIZE		DRAWING NUMBER	
B		T45	
REV	REVISED BY:	REVISION DATE	ECO #
X	XXX	XX/XX/XX	XXX
X	XXX	XX/XX/XX	XXX



DETAIL A
SCALE 3 : 25



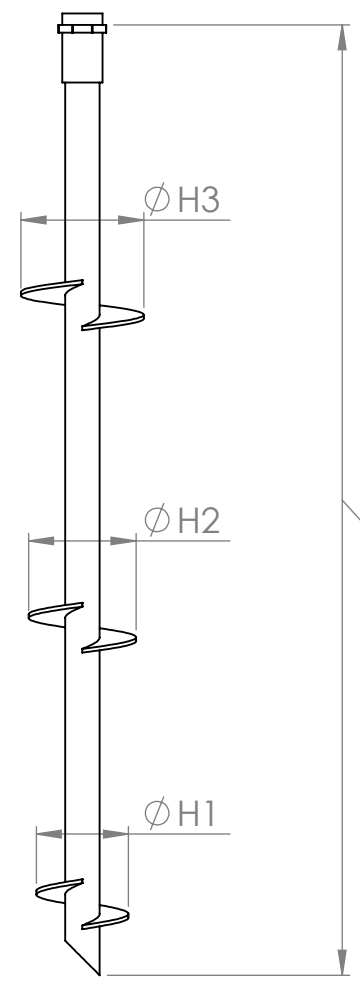
DETAIL B
SCALE 3 : 25



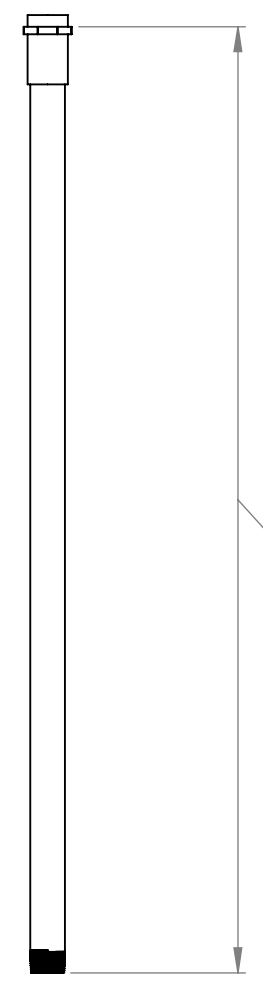
4.5" (0.290" wall) DISPLACEMENT PILE (torque rating - 35,000 ft-lbs)

Notes:

- API threaded couplers
- Shaft Material - OCTG pipe - 80 ksi min yield
- Driver Plate Material - Hot rolled low carbon steel per ASTM A572 Grade 50 minimum
- All welds performed by welders certified by AWS code D1.1
- All driver plates formed with nominal 6" pitch
- Nominal spacing between helices is 3 times the diameter of the lower helix
- Products Hot Dipped Galvanized per ASTM A123 following fabrication. Non-galvanized products are designated with a "U" catalog number suffix
- Ultimate mechanical rating for axial (compression and tension) loading is 184 kips
- Recommended Kt factor of 6
- Custom lead and extension lengths up to 40' and driver plate configurations available upon request



Length1



Length2

Catalog Number	H1, H2, H3 (in)	Length1 (ft)
T45L15T141416	14, 14, 16	15
T45L15T121416	12, 14, 16	15
T45L15T101214	10, 12, 14	15

Catalog Number	Length2 (ft)
T45E20	20
T45E15	15
T45E10	10

USE OR REPRODUCTION OF THIS DRAWING FOR THE PURPOSE OF MANUFACTURING THIS ARTICLE OR ARTICLES SHOWN OR ANY OTHER PURPOSE IS STRICTLY PROHIBITED EXCEPT ON WRITTEN PERMISSION **MACLEAN POWER SYSTEMS**

**MACLEAN
POWER
SYSTEMS**
TRENTON CAMPUS
1465 INDUSTRIAL PARK DRIVE
TRENTON, TN 38382
TEL. (731) 470-3400 FAX: (731) 470-3402

DRAWING NUMBER: T45		DO NOT SCALE DRAWING	
SHEET NAME: Sheet1		1 OF 1	
DRAWING DESCRIPTION: 4.5" threaded coupler piles		DESIGN DATE: 11/16/21	
DRAWING SCALE: 1:25		DRAWN BY:	DR
		ENGINEER:	DR
		APPROVED:	XXX
		REF DWG:	X