

Date: 12/3/2020

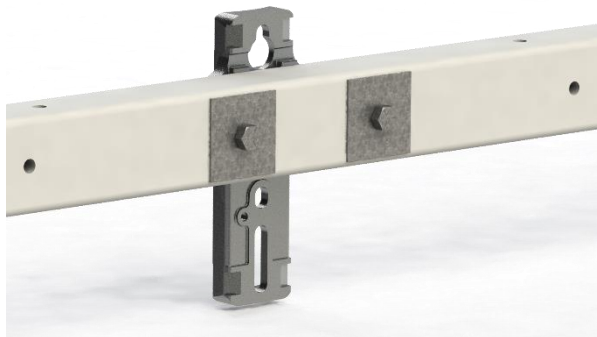
Page: 1 of 1

To our Valued Industry Partner,

Over the coming weeks MacLean Power Systems (MPS) fiberglass tangent crossarms will transition from a 4" square washer to a 4" diameter round washer on all MPS's tangent center mounts. Below is a list of benefits the round washer provides along with a comparison view to the traditional 4" x 4" square washer. Sharp corners of the square washers have a potential to be a cut hazard for those handling the arms or damage the product. Also, with the position insensitivity and safety improvement the round washer provides, this change also allows MPS to offer a modern look to our fiberglass tangent crossarm while maintaining our performance requirement of the center mount system. This change does not impact the mechanical performance of the crossarm.

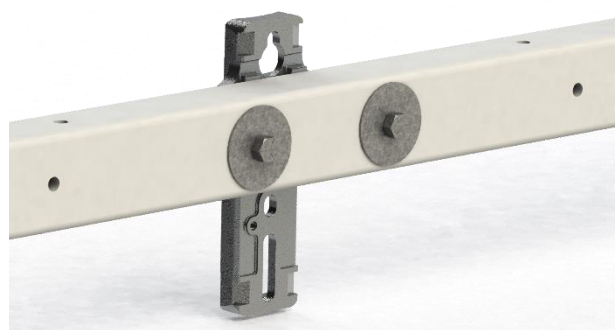
▪ **Current Square Washers**

- Should be square and flush
- Pointed edges
- Position sensitive
- Potential for snags



▪ **New Round Washers**

- Always flush
- No pointed edges
- Position insensitive
- Eliminates potential for snags



Respectfully,

Philip Rollins
Product Manager – Fiberglass Crossarms