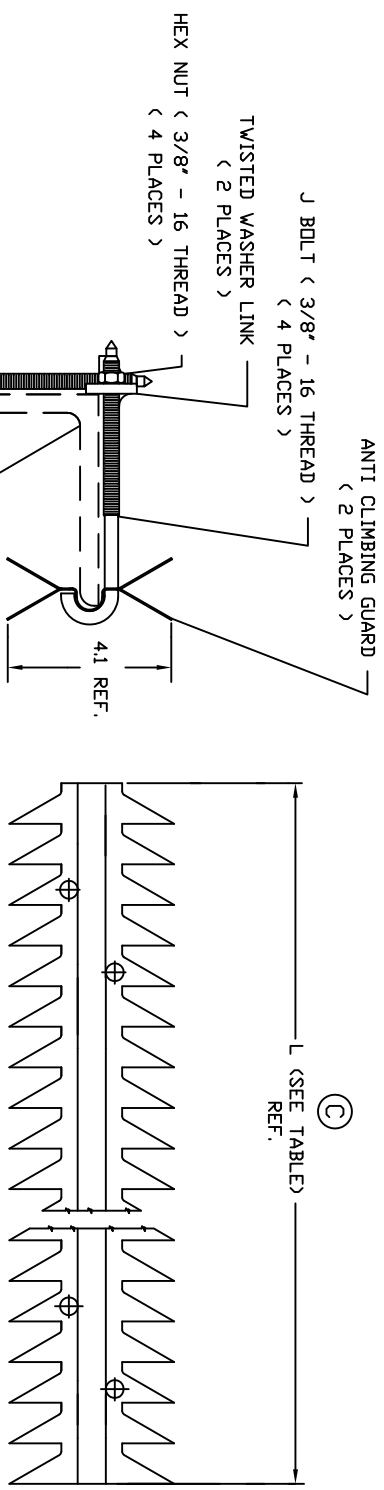
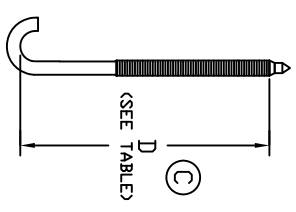


A | B | C | D | E | F

PAPER SIZE	DRAWING NUMBER
B SIZE	GDJ23007
REV	ECO
A	03/10/08 9059
B	12/11/13 11138
C	03/12/15 -



TYPICAL INSTALLATION



CATALOG NO.	D (IN)	L (IN)
J23007.3	3.5	48
J23007.6	6.5	48
J23007.9	9.5	48
J23007-A	ND HARDWARE	48
J23007.4	3.5	42

J BOLT DETAIL

- NOTES:
1. ALL DIMENSIONS ARE REFERENCE AND IN INCHES
  2. ALL ITEMS ARE GALVANIZED STEEL.

This drawing contains confidential information that is the property of Maclean Power, L.L.C. ("Maclean"). Use of Maclean's confidential information without Maclean's express written consent is strictly prohibited and may expose you to legal liability. If you believe that you received this material in error, please destroy it or return it to "Maclean Power, L.L.C., 11411 Addison, Franklin Park, Illinois 60131, USA."

DRAWING-COMPUTER LOCATION:  
DRAWING-COMPUTER LOCATION:

TOLERANCES UNLESS SPECIFIED	inch
0.XX	---
0.XXX	---
ANGLE	---



DRAWN BY	ENGINEER	CHECKER	CATALOG #	SCALE	DESIGN DATE
DEK	DEK	FJS	SEE TABLE	NTS	03/10/08
DRAWING TITLE / DESCRIPTION					DRAWING NUMBER
ANTI-CLIMBING GUARD ASSEMBLY					GDJ23007