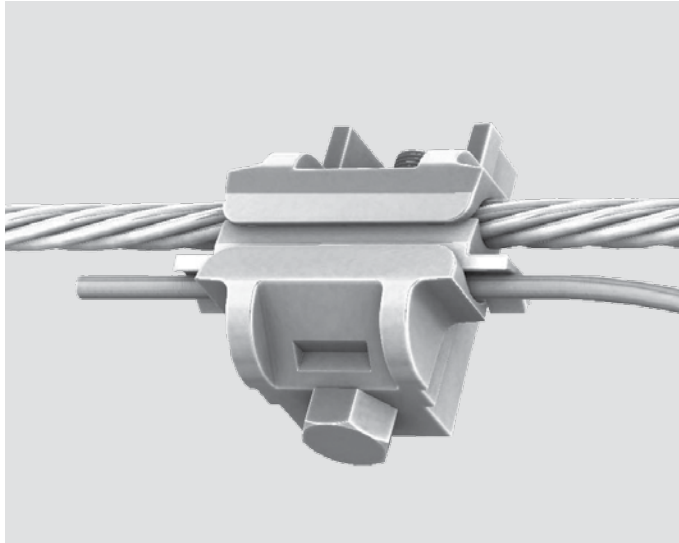
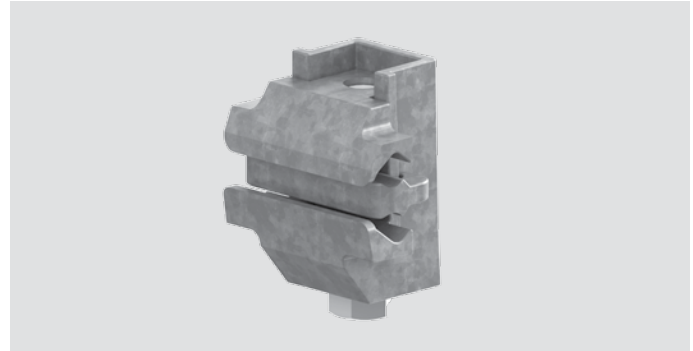


Aluminum Vise Clamps



Aluminum Vise Claps (AVC)

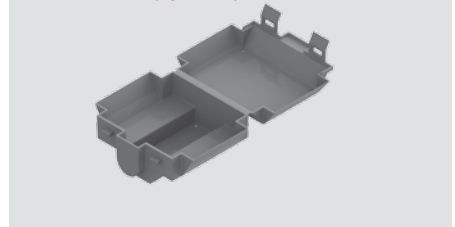
MacLean Power's AVC series is a simple, safe, and cost-effective method to connect a mainline conductor to apparatus or make line direction changes.



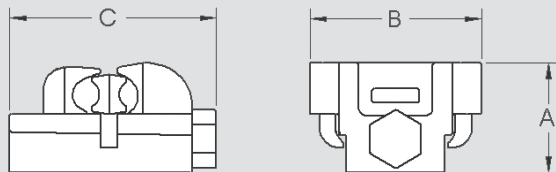
Features

- Use an ACSR, AAAC or AAC conductor in the main conductor position
- Use an ACSR, AAAC, AAC, or Copper conductor in the tap position
- Each model has range taking capability
- Corrosion inhibiting compound added to both main and tap grooves
- Spacer is high-purity aluminum for a low-resistance connection
- Successful current cycle testing per ANSI C119.4
- Simply installed with a standard wrench or a hot stick
- Choose the grommet option to make hot stick installation easier
- Snap on plastic covers available for each model

Plastic Cover (optional)



Dimensions



Materials	
Main Body	Aluminum Alloy
Jaw	Aluminum Alloy
Spacer	Aluminum
Bolt	Stainless Steel
Grommet (optional)	Neoprene

Catalog Number	Conductor								Dimensions in Inches(mm)			Weight in lb(kg)	Snap-on Cover
	Main				Tap								
	Maximum		Minimum		Maximum		Minimum						
	ACSR	AL	ACSR	AL	ACSR	AL/CU	ACSR	AL/CU					
AVC-3	4	2 Sol	6	8 Sol	4	2 Sol	6	8 Sol	0.98(25.0)	1.53(38.9)	1.8(45.7)	0.13(0.06)	CAVC2
AVC-2	2	1 Str	6	6 Sol	2	1 Str	6	12 Sol	1.22(30.9)	1.90(48.3)	2.19(55.7)	0.24(0.11)	
AVC-20	1/0	2/0 Str	6	6 Sol	1/0	2/0 Str	6	6 Sol	1.37(34.8)	1.93(49.0)	2.46(62.4)	0.30(0.14)	
AVC-20B	1/0	2/0 Str	6	6 Sol	1/0	2/0 Str	6	6 Sol	1.37(34.8)	1.93(49.0)	2.75(70.0)	0.30(0.14)	
AVC-40	4/0	4/0 Str	2	1 Str	4/0	4/0 Str	2	1 Str	1.62(41.0)	2.52(64.0)	3.05(77.3)	0.57(0.26)	CAVC3
AVC-41	4/0	4/0 Str	2	1 Str	2/0	2/0 Str	6	6 Sol	1.62(41.0)	3.26(82.4)	3.05(77.3)	0.57(0.26)	
AVC-400	336.4	397.5	3/0	2/0 Str	336.4	397.5	3/0	4/0 Str	1.84(46.8)	3.53(89.7)	3.36(85.3)	0.79(0.36)	
AVC-401	336.4	397.5	3/0	2/0 Str	4/0	266.8	6	6 Sol	1.84(46.8)	3.95(100.4)	3.36(85.3)	0.80(0.36)	
AVC-405	3/0	3/0 Str	4	4 Str	—	4 Str	—	12 Sol	1.65(42.0)	2.06(52.0)	2.38(60.5)	0.39(0.18)	
AVC-842	666.6	800	4/0	266.8	2/0	2/0	6	6 Sol	2.53(64.3)	3.58(90.8)	3.54(89.8)	0.88(0.40)	

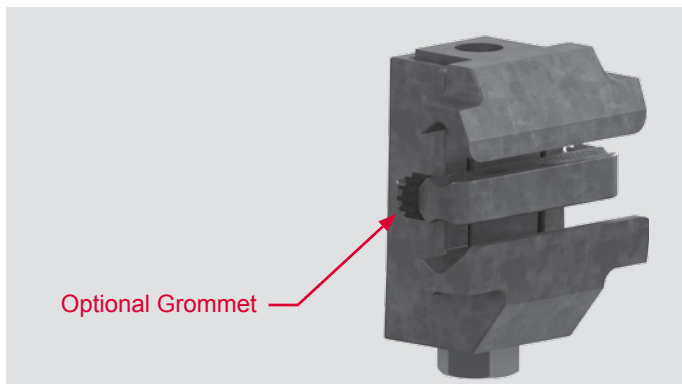
Add "G" to the catalog number for the grommet option

Aluminum Vise Clamps



Aluminum Vise Claps (AVC)

Grommets keep the spacer in place during hot stick installations. Add “-G” to the catalog name when ordering.



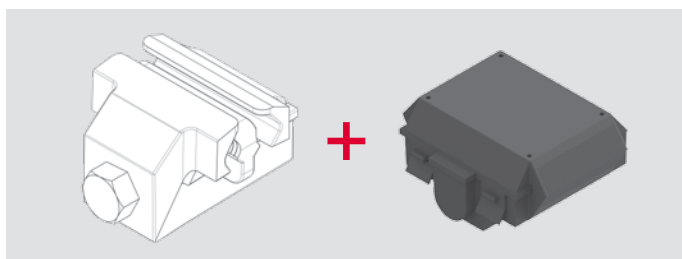
Packaging

Each AVC item comes in a plastic bag that lists the catalog number and conductor information. The popular sizes have the added benefit of color coded bags:

AVC-20	AVC-40	AVC-41
Yellow	Pink	Violet

Bundles

Consult factory for special AVC-cover bundled assemblies. Both the clamp and plastic cover come in one plastic bag.



Cross Reference		
HPS	Richards	MPS
GA9003L	APC5	AVC-3
GA9002L	APC7	AVC-2
GA9020L	APC10	AVC-20
GA9040L	APC11	AVC-40
GA9041L	APC12	AVC-41
GA9400L	APC15	AVC-400
GA9401L	APC14	AVC-401
GA9405L	—	AVC-405
GA9842L	—	AVC-842
GA9000B2	APCC-1	CAVC2
GA9000B3	APCC-2	CAVC3

MacLean Power Systems
 481 Munn Road, Suite 300
 Fort Mill, SC 29715 USA
 fax 803.396.8601
 macleanpower.com

Customer Service 1.800.MPS.SHIP
 info@macleanpower.com