

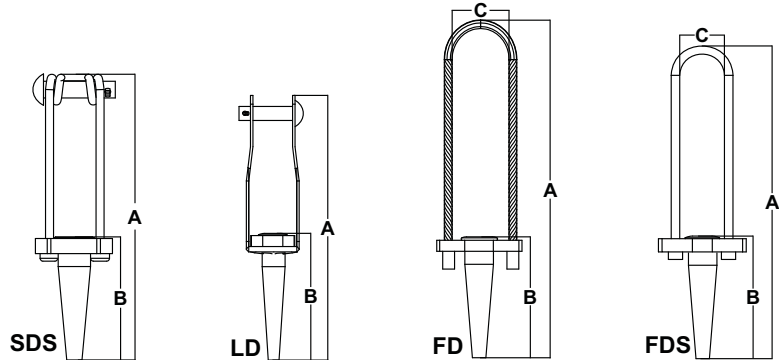


# Copper Automatic Deadends

Automatic deadends used on copper conductors

## Features

- Single piece brass jaw which simplifies conductor installation and eliminates jaw disengagement
- Solid copper conductor rated at 90% of the conductor RBS
- Stranded copper conductor rated at 80% of the conductor RBS
- Copperweld conductor rated at 75% of the conductor RBS



### Conductor Diameter Range: .120-.135

Catalog Number	CU Solid ASTM-B258	CU 7-Strand ASTM-B8	Copperweld Strand	A	B	C
81 LD	#8	-	-	6.87	2.36	-
81 FD	#8	-	-	9.25	2.36	2.00

### Conductor Diameter Range: .146-.168

Catalog Number	CU Solid ASTM-B258	CU 7-Strand ASTM-B8	Copperweld Strand	A	B	C
61 SDS	#6	#8	-	7.00	2.36	-
61 LD	#6	#8	-	6.87	2.36	-
61 FD	#6	#8	-	9.25	2.36	2.00
61 FDN	#6	#8	-	9.25	2.36	2.00
61 FDS	#6	#8	-	9.25	2.36	2.00

### Conductor Diameter Range: .184-.210

Catalog Number	CU Solid ASTM-B258	CU 7-Strand ASTM-B8	Copperweld Strand	A	B	C
41 SDS	#4	#6	8A	7.45	2.40	-
41 LD	#4	#6	8A	6.69	2.40	-
41 FD	#4	#6	8A	9.26	2.40	2.00
41 FDN	#4	#6	8A	6.26	2.40	2.00
41 FDS	#4	#6	8A	7.26	2.40	2.00
41 FDSN	#4	#6	8A	7.26	2.40	2.00

### Conductor Diameter Range: .225-.245

Catalog Number	CU Solid ASTM-B258	CU 7-Strand ASTM-B8	Copperweld Strand	A	B	C
47 SDS	#3	#4	6A	7.45	2.40	-
47 LD	#3	#4	6A	6.69	2.40	-
47 FD	#3	#4	6A	9.26	2.40	2.00
47 FDN	#3	#4	6A	9.26	2.40	2.00
47 FDS	#3	#4	6A	7.26	2.40	2.00

### Conductor Diameter Range: .228-.265

Catalog Number	CU Solid ASTM-B258	CU 7-Strand ASTM-B8	Copperweld Strand	A	B	C
21 SDS	#2 & #3	#3	5A	8.32	2.75	-
21 LD	#2 & #3	#3	5A	8.26	2.75	-
21 FD	#2 & #3	#3	5A	9.90	2.75	2.00
21 FDN	#2 & #3	#3	5A	9.90	2.75	2.00
21 FDS	#2 & #3	#3	5A	7.52	2.75	2.00

### Conductor Diameter Range: .270-.305

Catalog Number	CU Solid ASTM-B258	CU 7-Strand ASTM-B8	Copperweld Strand	A	B	C
27 SDS	#1	#2	4A	8.32	2.75	-
27 LD	#1	#2	4A	8.26	2.75	-
27 FD	#1	#2	4A	9.90	2.75	2.00
27 FDN	#1	#2	4A	9.90	2.75	2.00
27 FDS	#1	#2	4A	7.52	2.75	2.00

### Conductor Diameter Range: .305-.340

Catalog Number	CU Solid ASTM-B258	CU 7-Strand ASTM-B8	Copperweld Strand	A	B	C
101 SDS	1/0	#1	3A	8.32	2.75	-
101 LD	1/0	#1	3A	8.26	2.75	-
101 FD	1/0	#1	3A	9.90	2.75	2.00
101 FDN	1/0	#1	3A	9.90	2.75	2.00

### Conductor Diameter Range: .340-.385

Catalog Number	CU Solid ASTM-B258	CU 7-Strand ASTM-B8	Copperweld Strand	A	B	C
107 SDS	2/0	1/0	2A	8.40	3.40	-
107 LD	2/0	1/0	2A	8.95	3.40	-
107 FD	2/0	1/0	2A	12.52	3.40	2.00
107 FDN	2/0	1/0	2A	12.52	3.40	2.00
107 FDS	2/0	1/0	2A	10.36	3.40	2.31

### Conductor Diameter Range: .398-.420

Catalog Number	CU Solid ASTM-B258	CU 7-Strand ASTM-B8	Copperweld Strand	A	B	C
207 SDS	3/0	2/0	-	8.40	3.40	-
207 LD	3/0	2/0	-	8.95	3.40	-
207 FD	3/0	2/0	-	12.52	3.40	2.00
207 FDN	3/0	2/0	-	12.52	3.40	2.00

### Conductor Diameter Range: .437-.475

Catalog Number	CU Solid ASTM-B258	CU 7-Strand ASTM-B8	Copperweld Strand	A	B	C
307 SDS	4/0	3/0	-	12.00	4.80	-
307 LD	4/0	3/0	-	11.15	4.80	-
307 FDS	4/0	3/0	-	11.63	4.80	2.31

### Conductor Diameter Range: .485-.540

Catalog Number	CU Solid ASTM-B258	CU 7-Strand ASTM-B8	Copperweld Strand	A	B	C
407 SDS	-	4/0	-	12.00	4.80	-
407 LD	-	4/0	-	11.15	4.80	-
407 FD	-	4/0	-	12.46	4.80	2.00
407 FDN	-	4/0	-	12.46	4.80	2.00