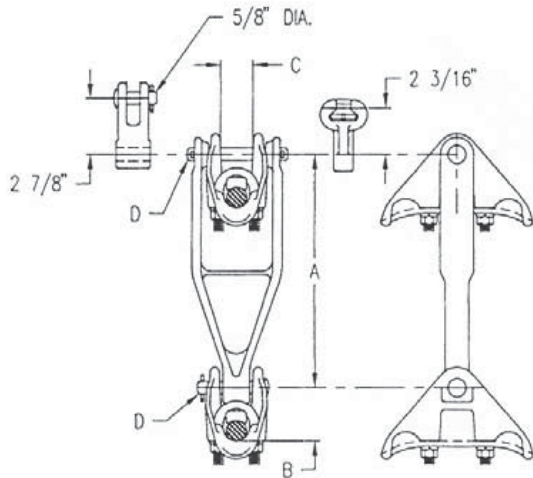




Vertical Bundle Assembly Suspension Clamps



Vertical Bundle Assembly Suspension Clamps

Features

- Ultimate Strength
 - Lower clamp: 14,000 lbs
 - Complete assembly: 25,000 lbs

Material

- Body, Keeper, Spacer Yoke: Aluminum alloy
- Hardware: Steel hot dip galvanized
- Cotter Pin: Stainless steel
- Fitting: Ductile Iron hot dip galvanized

Vertical Bundle Assembly with LS Series Suspension Clamp									
Catalog Number	Conductor Range	Clamp Catalog Number	Dimensions				Option Fitting		
			A	B	C	D	Socket (-S)	Clevis (-C)	Y-Clevis (-Y)
VBLS-18-33-N	0.75 - 1.19	LS-3	18.00	2.75	1.25	5/8	SI-1125	SCE-55-1375A	
VBLS-18-44-N	0.87 - 1.317	LS-4	18.00	2.88	1.44	5/8	SI-1375	SCE-55-1375A	RYCI-65-1250
VBLS-18-66-N	1.00 - 1.49	LS-6	18.00	1.56	5/8	11/16	SI-1375	SCE-55-1375A	RYCI-65-1250
VBLS-18-77-N	1.10 - 1.77	LS-7	18.00	3.25	1.81	5/8	SI-1750	SCE-55-1750	RYCI-65-1750
VBLS-18-88-N	1.25 - 1.92	LS-8	18.00	3.50	2.00	5/8	SI-1750	SCE-55-1750	RYCI-65-1750
VBLS-18-99-N	1.40 - 2.18	LS-9	18.00	3.81	2.25	5/8	SI-2000	SCE-55-2000	RYCI-65-2000
VBLS-18-110-N	1.75-2.33	ASC-10-N	18.00	3.88	2.31	5/8	SI-2187	SCE-55-2187	RYCI-65-2187
VBLS-18-111-N	2.00 - 2.55	ASC-11-N	18.00	4.13	2.63	5/8	SI-2500	SCE-55-2500	
VBLS-18-112-N	2.35 - 2.85	ASC-12-N	18.00	5.00	3.00	3/4	SE-2750-6		

Vertical Bundle Assembly with CF Series Suspension Clamp									
Catalog Number	Conductor Range	Clamp Catalog Number	Dimensions				Option Fitting		
			A	B	C	D	Socket (-S)	Clevis (-C)	Y-Clevis (-Y)
VBCF-18-111-N	1.00 - 1.11	CF-111	18.00	2.25	1.88	5/8	SI-1750	SCE-55-1750	RYCI-65-1750
VBCF-18-120-N	1.11 - 1.20	CF-120	18.00	2.25	1.88	5/8	SI-1750	SCE-55-1750	RYCI-65-1750
VBCF-18-143-N	1.20 - 1.43	CF-143	18.00	2.44	1.88	5/8	SI-1750	SCE-55-1750	RYCI-65-1750
VBCF-18-163-N	1.43 - 1.63	CF-163	18.00	2.63	2.38	5/8	SI-2187	SCE-55-2187	RYCI-65-2187
VBCF-18-184-N	1.63 - 1.84	CF-184	18.00	2.88	2.50	5/8	SI-2187	SCE-55-2187	RYCI-65-2187
VBCFA-18-111-N	1.00 - 1.11	CFA-111	18.00	2.38	1.88	5/8	SI-1750	SCE-55-1750	RYCI-65-1750
VBCFA-18-120-N	1.11 - 1.120	CFA-120	18.00	2.25	1.88	5/8	SI-1750	SCE-55-1750	RYCI-65-1750
VBCFA-18-143-N	1.20 - 1.43	CFA-143	18.00	2.44	1.88	5/8	SI-1750	SCE-55-1750	RYCI-65-1750
VBCFA-18-204-N	1.82 - 2.04	CFA-204	18.00	3.17	2.75	5/8	SI-2187	SCE-55-2187	RYCI-65-2187

Vertical Bundle Assembly with ACFS Series Suspension Clamp									
Catalog Number	Conductor Range	Clamp Catalog Number	Dimensions				Option Fitting		
			A	B	C	D	Socket (-S)	Clevis (-C)	Y-Clevis (-Y)
VBACFS-18-1752020	1.63 - 1.75	ACFS-175-2020	18.00	3.25	2.38	5/8	SI - 2187	SCE-55-2187	RYCI-65-2187
VBACFS-18-1862020	1.76 - 1.86	ACFS-186-2020	18.00	3.25	2.50	5/8	SI - 2187	SCE-55-2187	RYCI-65-2187
VBACFS-18-2142020	2.04 - 2.14	ACFS-214-2020	18.00	3.25	2.50	5/8	SI - 2187	SCE-55-2187	RYCI-65-2187
VBACFS-18-2442020	2.28 - 2.44	ACFS-244-2020	18.00	3.25	2.88	5/8	SI - 2500	SCE-55-2500	RYCI-65-2500