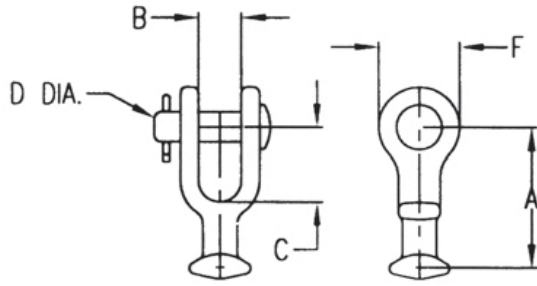




# Clevis Type Insulator Fittings



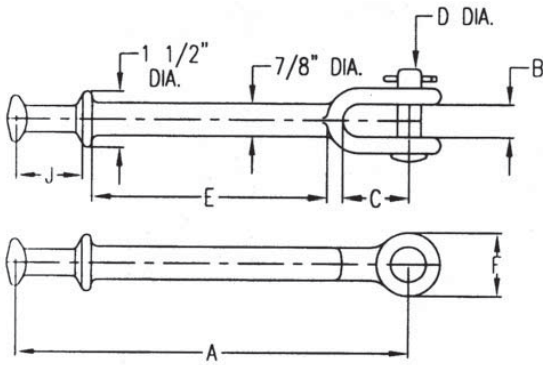
## Clevis - Ball, Standard Material

Forged steel hot dip galvanized

Catalog Number	For Insulator Class	A	B	C	D	F	Ultimate Strength (lbs)	Weight /100 (lbs)
CB-55	*ANSI 52-3 & 5	2 15/16	13/16	1 9/16	5/8	1 11/16	35000	110
CB-55L	*ANSI 52-3 & 5	3 15/16	13/16	2 1/2	5/8	1 11/16	35000	145
CB-78	*ANSI 52-8 & 11	4 3/16	1 1/8	2	7/8	2	50000	216

**Notes:**

- 1) For bolt, nut and cotter instead of clevis pin and cotter, add suffix "-BC" to catalog number
- 2) ANSI 52-3 & IEC 16mm are generally accepted as being interchangeable



## Clevis - Ball, Hot Line Material

Forged steel hot dip galvanized

Catalog Number	For Insulator Class	A	B	C	D	E	F	J	Ultimate Strength (lbs)	Weight /100 (lbs)
CBHL-55A	ANSI 52-3 & 5	10 1/2	7/8	1 3/4	5/8	6	1 11/16	1 3/4	35000	210
CBHL-78	ANSI 52-8 & 11	10 15/16	1 1/8	2	7/8	6	2	1 7/8	50000	375
BT3090	ANSI 52-3 & 5	9 3/4	1 1/2	1 3/4	-	-	-	-	30000	260

**Notes:**

- 1) For bolt, nut and cotter instead of clevis pin and cotter, add suffix "-BC" to catalog number
- 2) ANSI 52-5 & IEC 16mm are generally accepted as being interchangeable