

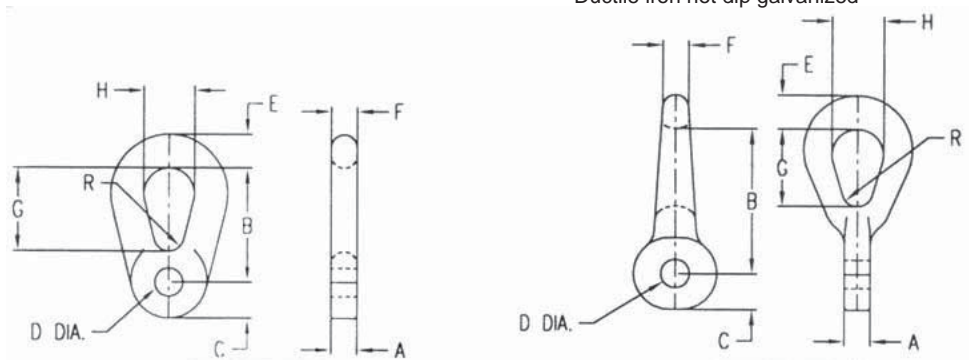


# Oval Eye Type Insulator Fittings

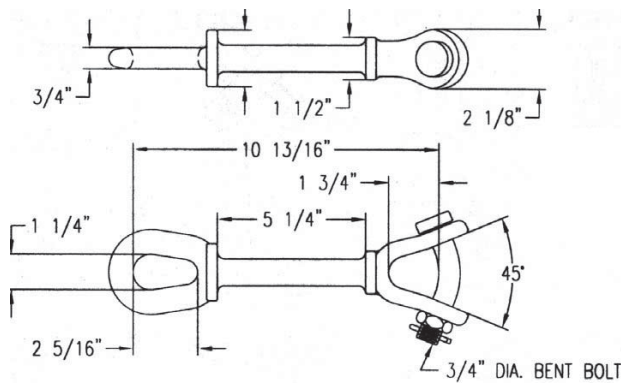
## Oval Eye - Eye

### Material

Ductile iron hot dip galvanized



Catalog Number	A	B	C	D	E	F	G	H	R	Ultimate Strength (lbs)	Weight /100 (lbs)
OE-5-625A	5/8	4 9/16	1 1/4	11/16	7/8	3/4	2 1/2	1 1/4	7/16	30000	120
OER-5-625	5/8	3 1/2	7/8	11/16	13/16	5/8	1 15/16	1 1/4	3/8	20000	105



## Oval Eye - Eye, Y Clevis Hot Line

### Material

Fitting: Ductile iron hot dip galvanized

Bolt and Nut: Steel

Cotter Pin: Stainless steel

Catalog Number	Ultimate Strength (lbs)	Weight /100 (lbs)
LOY-66-11	30000	550



## Oval Eye - Oval Eye, Hot Link

### Material

Forged steel hot dip galvanized

Catalog Number	Length (L)	Weight /100 (lbs)
LOO-77-45	45	1290
LOO-77-66	66	1640
LOO-77-74	75	1809
LOO-77-77	77	1876
LOO-77-81	81	1956
LOO-77-84	84	2180
LOO-77-97	97	2325
LOO-77-102	102	2434
LOO-77-107	107	2545

### Notes:

- 1) LOO-77-XX (XX = Length "L")
- 2) Min Length = 45"
- 3) LOO-77R-XX = 90° rotated eye / eye
- 4) For custom length, contact MPS
- 5) For use in 30k to 60k applications
- 6) Ideal replacement for steel strap sets

Catalog Number	Length (L)	Weight /100 (lbs)
LOO-55-15	15	377
LOO-55-18	18	396
LOO-55-20	20	563
LOO-55-24	24	580
LOO-55-28	28	597
LOO-55-34	34	622
LOO-55-42	42	804
LOO-55-55	55	1025
LOO-55-75	75	1438

### Notes:

- 1) LOO-55-XX (XX = Length "L")
- 2) Min Length = 15"
- 3) LOO-55R-XX = 90° rotated eye / eye
- 4) For custom length, contact MPS
- 5) For use in 30k to 60k applications
- 6) Ideal replacement for steel strap sets