



Socket Type Insulator Fittings

Socket - Ball, Hot Link

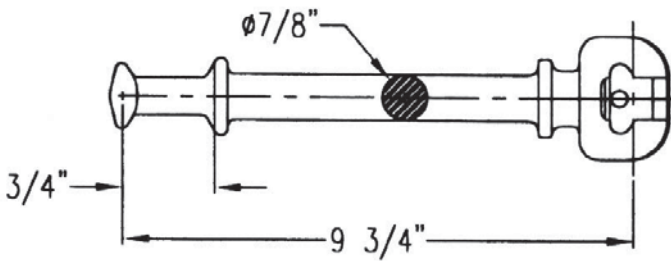
Material

Forged steel hot dip galvanized

Catalog Number	For Insulator Class	Ultimate Strength (lbs)	Weight /100 (lbs)
HLSB-30-55	*ANSI 52-3 & 5	30000	300

Notes:

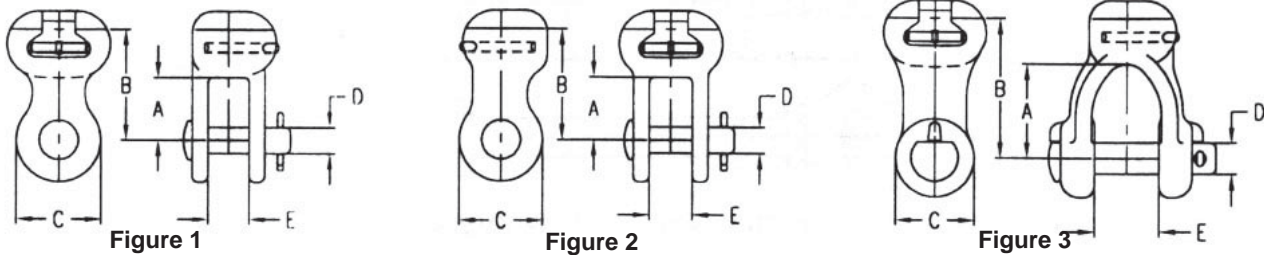
1) ANSI 52-5 & IEC 16mm are generally accepted as being interchangeable



Socket - Clevis, Standard

Material

Ductile iron hot dip galvanized



Catalog Number	Fig.	For Insulator Class	A	B	C	D	E	Ultimate Strength (lbs)	Weight /100 (lbs)
SC-55	1	*ANSI- 52-5 & 5	1 1/2	2 5/8	2	5/8	15/16	30000	200
SC-55A	3	*ANSI 52-3 & 5	1 1/8	2 1/4	1 3/4	5/8	1 13/16	30000	220
CSS90-55	1	*ANSI 52-3 & 5	1 5/8	2 5/8	1 3/4	5/8	13/16	30000	226
SCR-55	2	*ANSI 52-3 & 5	1 1/2	2 5/8	2	5/8	1	30000	197
SC-86	1	ANSI 52-8	2	3 1/4	2 1/8	3/4	1 1/4	45000	240
SCR-87	2	ANSI 52-8 & 11	2 1/4	4 1/2	2	7/8	1 1/8	50000	460
SC-87A	3	ANSI 52-8	2 3/16	3 3/8	2 1/8	7/8	1 11/16	40000	330
SC-87B	3	ANSI 52-8 & 11	2 1/4	4 1/2	2	7/8	1 7/16	50000	345

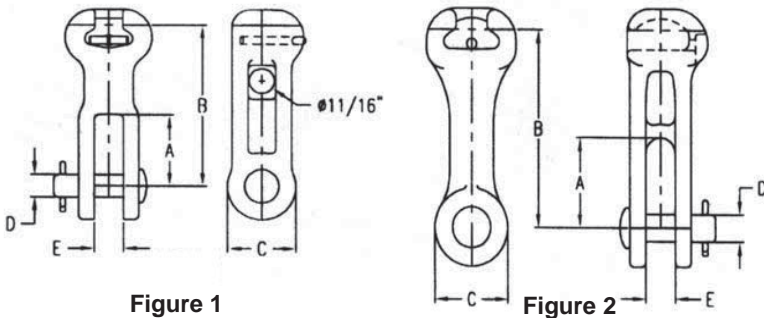
Notes:

1) ANSI 52-5 & IEC 16mm are generally accepted as being interchangeable

Socket - Clevis, Long

Material

Ductile iron hot dip galvanized



Catalog Number	Fig.	For Insulator Class	A	B	C	D	E	Ultimate Strength (lbs)	Weight /100 (lbs)
SCL-55B	1	*ANSI 52-3 & 5	2	4 1/2	1 7/8	5/8	13/16	30000	265
SCL-207	2	IEC 20MM	2 7/8	6 5/16	2 1/2	7/8	1	45000	565

Notes:

1) ANSI 52-5 & IEC 16mm are generally accepted as being interchangeable