

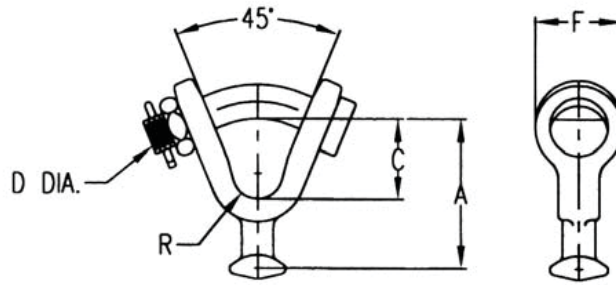


# Y-Clevis Type Insulator Fittings

## Y-Clevis - Ball, Standard

### Material

Forged steel hot dip galvanized



Catalog Number	For Insulator Class	A	C	D	F	R	Ultimate Strength (lbs)	Weight /100 (lbs)
YCB-65A	*ANSI 52-3 & 5	3 1/4	1 9/16	3/4	1 7/8	1/2	35000	215
YCB-78	ANSI 52-8 & 11	3 13/16	1 9/16	7/8	2 3/16	5/8	50000	330
YCB-720	IEC 20MM	4 1/16	1 9/16	7/8	2 3/16	5/8	40000	340

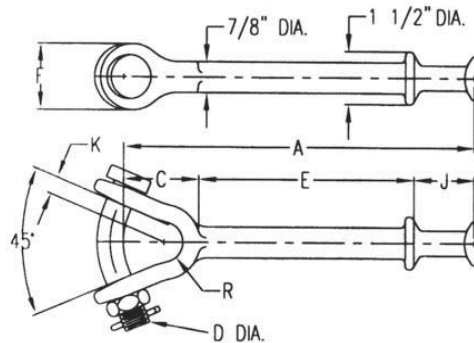
### Notes:

1) ANSI 52-5 & IEC 16mm are generally accepted as being interchangeable

## Y-Clevis - Ball, Hot Line

### Material

Forged steel hot dip galvanized



Catalog Number	For Insulator Class	A	C	D	E	F	J	K	R	Ultimate Strength (lbs)	Weight /100 (lbs)
YCBHL-65A	*ANSI 52-3 & 5	10 1/8	1 11/16	3/4	6	1 7/8	1 3/4	1/2	9/16	35000	317
YCBHL-78	ANSI 52-8 & 11	10 7/8	1 3/4	7/8	6	2 3/16	1 7/8	9/16	11/16	50000	460

### Notes:

1) ANSI 52-5 & IEC 16mm are generally accepted as being interchangeable