



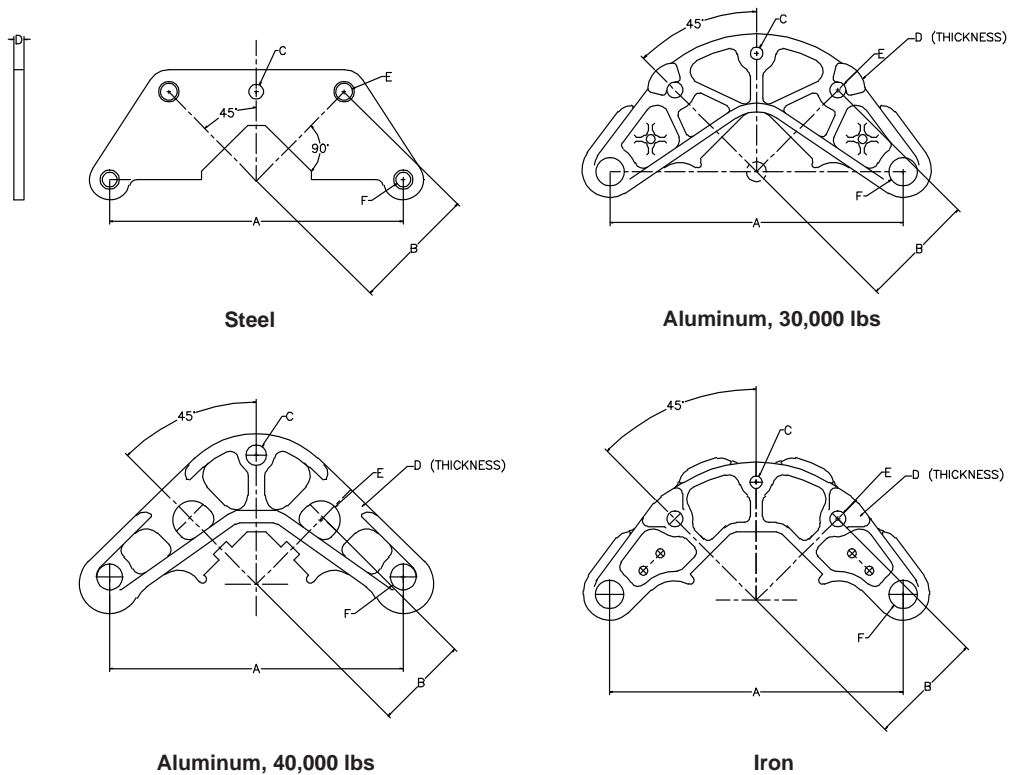
Yoke Plates

V-String Single Conductor Yokes



Catalog Number	Ultimate Strength	Material	Dimensions (inches)				
			A	B	C	D	E
Y1VS030S	30,000	Steel	8	5 21/32	15/16	5/8	15/18
Y1VS030A	30,000	Aluminum	14	8	1	1 1/8	1 3/4
Y1V2050S	50,000	Steel	8	5 21/32	15/16	3/4	15/16
Y1BS050D	50,000	iron	14	8	1	1 1/8	1 3/4

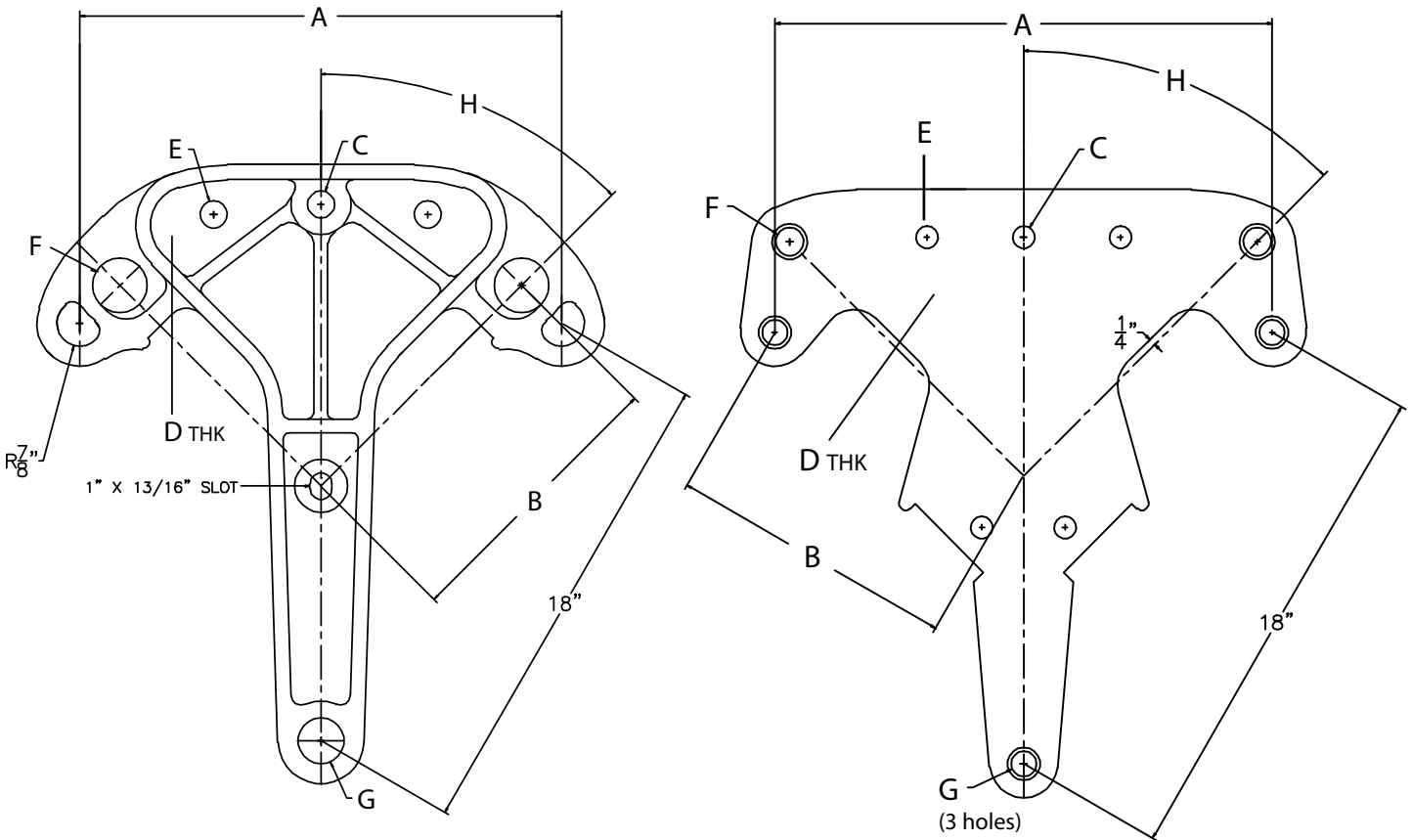
V-String Double Conductor Yokes



Catalog Number	Ultimate Strength	Material	Dimensions (inches)					
			A	B	C	D	E	F
Y2VS030S1845	30,000	Steek	18	7 11/16	15/16	5/8	1 1/16	15/16
Y2VS030A1800	30,000	Aluminum	18	7 5/64	13/16	1	1/4	1 3/4
Y2VS040A1800	40,000	Aluminum	18	6 3/4	1 1/4	1 5/8	2 3/8	1 5/8
Y2VS050D1800	50,000	Iron	18	7 1/16	13/16	1 1/8	1 1/8	1 3/4
Y2VS050S1845	50,000	Steel	18	7 11/16	15/16	3/4	1 1/16	15/16



Yoke Plates



V-String Triple Yoke Plate

Catalog Number	Ultimate Strength	Material	Type	Dimensions (inches)							
				A	B	C	D	E	F	G	H
Y3VS040A1845	40,000	Aluminum	Triple	18	10 5/8	1 1/16	2	1 1/16	2 1/16	1 3/4	45
Y3VS040A1850	40,000	Aluminum	Triple	18	11 7/8	1 1/16	2	1 1/16	1 1/4	1 3/4	50
Y3VS050S1845	50,000	Steel	Triple	18	10 3/8	13/16	3/4	1 1/16	15/16	15/16	45
Y3VS050S1850	50,000	Steel	Triple	18	10 7/16	13/16	3/4	1 1/16	15/16	15/16	50