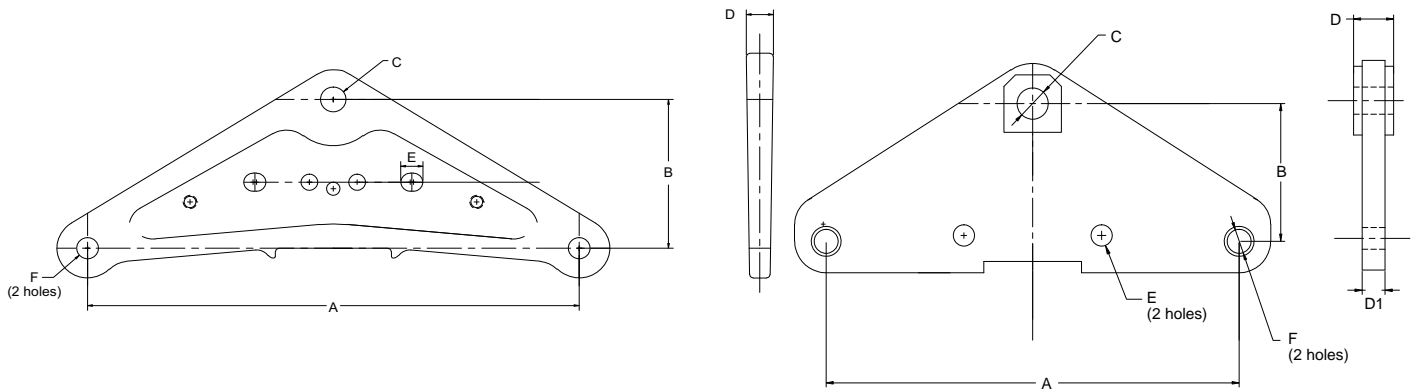




Yoke Plates

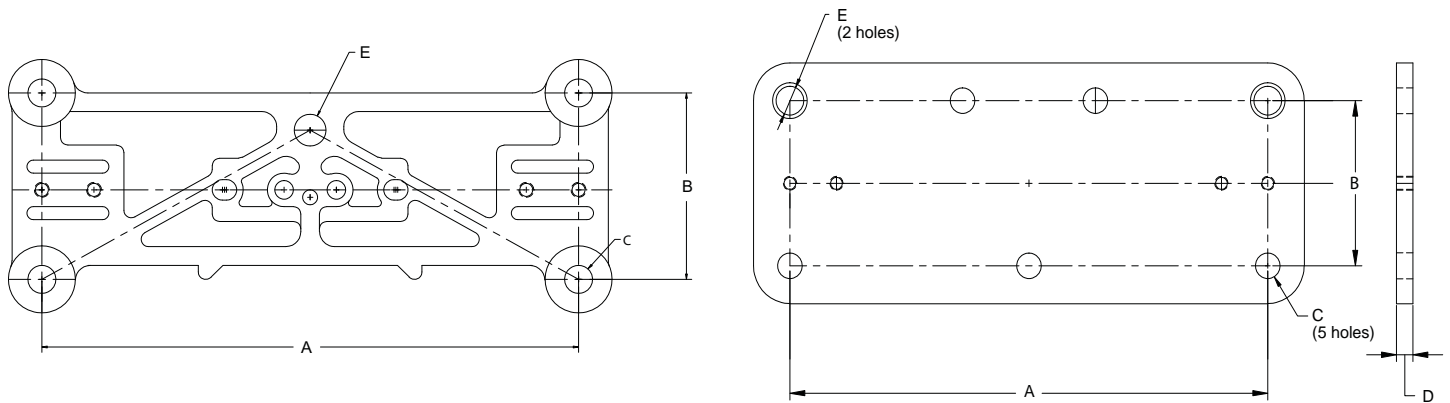
Deadend Triangular



* No pad on 60K steel yoke plates

Catalog Number	Ultimate Strength	Material	Type	Dimensions (inches)						
				A	B	C	D	D1	E	F
Y2DT060D1800	60,000	Ductile Iron	Double	18	5 5/8	15/16	1	---	13/16	13/16
Y2DT060S1800	60,000	Steel	Double	18	4 1/2	1 1/16	3/4	3/4	15/16	1 1/16
Y2DT080D1800	80,000	Ductile Iron	Double	18	6	1 3/16	1 3/8	---	15/16	1 1/16
Y2DT080S1800	80,000	Steel	Double	18	6	1 1/16	1 1/4	3/4	15/16	1 1/16
Y2DT100S1800	100,000	Steel	Double	18	6	1 3/8	1 3/4	1	15/16	1 1/16

Deadend Rectangular



Catalog Number	Ultimate Strength	Material	Type	Dimensions (inches)				
				A	B	C	D	E
Y2DR060D1800	60,000	Ductile Iron	Double	18	6 1/4	15/16	3/4	1 1/16
Y2DR060S1800	60,000	Steel	Double	18	6	15/16	5/8	1 1/16
Y2DR080D1800	80,000	Ductile Iron	Double	18	6 1/4	15/16	7/8	1 1/16
Y2DR080S1800	80,000	Steel	Double	18	6	15/16	7/8	1 1/16
Y2DR100S1800	100,000	Steel	Double	18	6	15/16	7/8	1 1/16