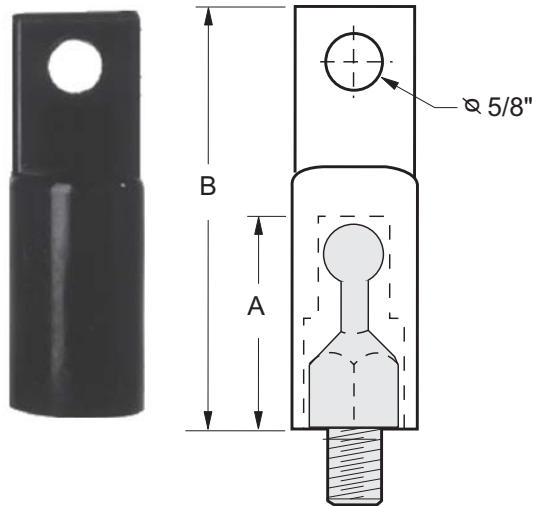




# Grounding Ball Studs



## Insulated Protective Cap

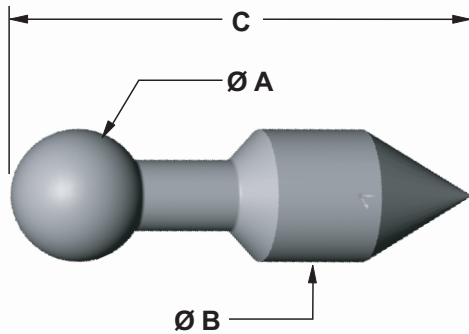
### Features

- Used to insulate 20 mm or 25 mm grounding ball studs and protects from contamination
- Handle for installation with a shotgun stick

### Material

Polyurethane

Catalog Number	Dimensions		Ground Stud	Weight Ea (lbs)
	A	B		
01-P-064	2 1/2	4 5/8	20 mm	0.20
01-P-064-25	3 1/4	5 7/8	25 mm	0.24



## Grounding Ball Stud for CADWELD Connections

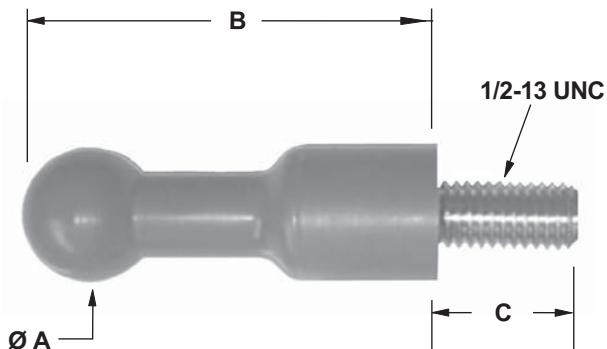
### Features

- Permanent welded grounding ball stud allowing the installation of either a universal or ball stud grounding clamp to a steel structure
- Grounding ball stud can be installed in most inaccessible areas

### Material

99.9% electrolytic tin-plated copper

Catalog Number	Dimensions			Weight Ea (lbs)
	A	B	C	
HC-30055-20	20 mm	5/8	2 25/32	0.2
HC-30055-25	25 mm	7/8	4 1/4	0.6
HC-30055-30	30 mm	7/8	3 7/8	0.6



## PVC Grounding Ball Stud for Support Device

### Features

- Used as a support for universal and ball stud grounding clamp on different equipment
- Stainless steel hardware (nut, flat and lock washer) included

### Material

Gray PVC

Catalog Number	Dimensions			Weight Ea (lbs)
	A	B	C	
HC-30029-1PVC	25 mm	3	1	0.25