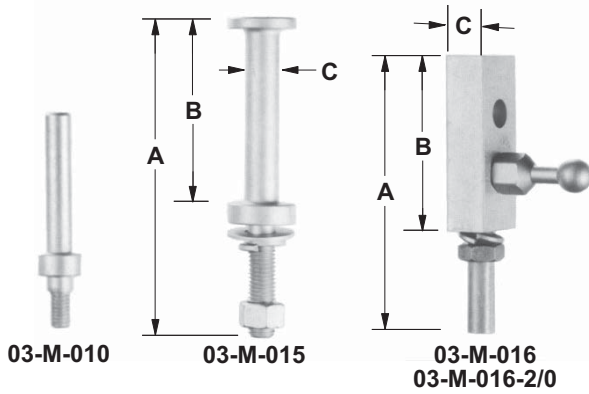




# Grounding Studs, Terminals & Connectors



## Grounding Studs and Terminals

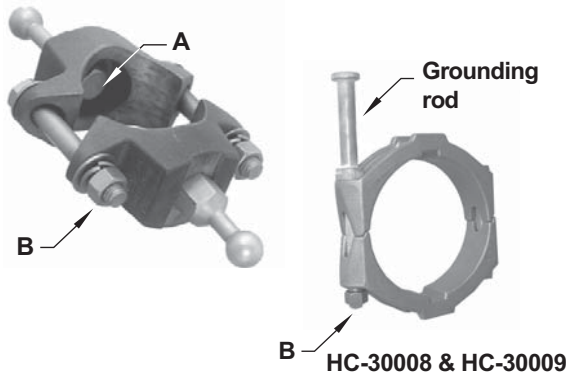
### Features

- Can be installed on all electrical facilities such as apparatus, tubes, conductors, tracks, pulling equipment, etc

Catalog Number	Description	Connector Material	Dimensions				Capacity 15 Cycles	Capacity 30 Cycles	Weight Ea (lbs)
			A	B	C	Thread			
03-M-010	Grounding Stud	Tin-Plated Copper	3 5/8	2 23/64	7/16	3/8 - 16 UNC	12kA (IEC) 15kA (ASTM)	10kA (ASTM)	0.1
03-M-015	Grounding Stud	Tin-Plated Copper	7 1/8	4 1/8	3/4	5/8 - 11 UNC	35kA (IEC) 43kA (ASTM)	30kA (ASTM)	1.2
03-M-016	Grounding Terminal (1/0 ferrule; 20 mm ball stud)	Aluminum Block Tin-Plated ferrule and stud	6 1/2	3 1/4	1 1/2	-	12kA (IEC) 15kA (ASTM)	10kA (ASTM)	0.5
03-M-016-2/0	Grounding Terminal (2/0 ferrule; 20 mm ball stud)	Aluminum Block Tin-Plated ferrule and stud	6 1/2	3 1/4	1 1/2	-	12kA (IEC) 15kA (ASTM)	10kA (ASTM)	0.5

### Notes:

- 1) 03-M-010, 03-M-016, 03-M-016-2/0 includes stainless steel hardware (lock washers, flat washers, and nut)
- 2) 03-M-015 includes bronze hardware (lock washers, flat washers, and nut)
- 3) For 25 mm ball stud installed on 03-M-016 or 03-M-016-2/0, add suffix "-25" to catalog number



## Grounding Connector for Tube

### Features

- Permanent ball grounding connector to install on vertical riser tube, solid rod or connector for easy installation of temporary grounding sets
- Meets ASTM and IEC standards
- Stainless steel hardware included

### Material

HC-30005/6/7

Connector: Bronze  
Ball Stud: 99.9% electrolytic tin-plated copper

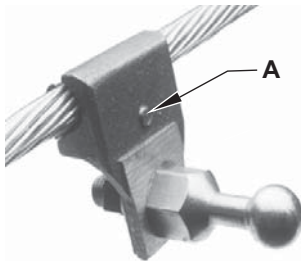
HC-30008/9

Connector: Aluminum  
Ball Stud: 99.9% electrolytic tin-plated copper

Catalog Number	Tube (IPS)	External Diameter	Ball Stud Included (Catalog No.)	Bolt A	Bolt B	Capacity 15 Cycles	Capacity 30 Cycles	Weight Ea (lbs)
HC-30005-1-25	1 1/2	1 7/8	1 X 25 mm (HC-30029)	1/2 - 13	3/8 - 16	35kA (IEC) 43kA (ASTM)	30kA (ASTM)	4.5
HC-30005-2-25	1 1/2	1 7/8	2 x 25 mm (HC-30029)	1/2 - 13	3/8 - 16	35kA (IEC) 43kA (ASTM)	30kA (ASTM)	5.0
HC-30006-1-25	2	2 3/8	1 x 25 mm (HC-30029)	1/2 - 13	1/2 - 13	35kA (IEC) 43kA (ASTM)	30kA (ASTM)	4.5
HC-30006-2-25	2	2 3/8	2 x 25 mm (HC-30029)	1/2 - 13	1/2 - 13	35kA (IEC) 43kA (ASTM)	30kA (ASTM)	5.1
HC-30007-1-25	2 1/2	2 7/8	1 x 25 mm (HC-30029)	1/2 - 13	1/2 - 13	35kA (IEC) 43kA (ASTM)	30kA (ASTM)	4.5
HC-30007-2-25	2 1/2	2 7/8	2 x 25 mm (HC-30029)	1/2 - 13	1/2 - 13	35kA (IEC) 43kA (ASTM)	30kA (ASTM)	5.0
HC-30008	3 1/2	4	1 x Ground Rod (03-M-014)	-	5/8 - 11	35kA (IEC) 43kA (ASTM)	30kA (ASTM)	2.6
HC-30009	6	6 5/8	1 x Ground Rod (03-M-014)	-	5/8 - 11	35kA (IEC) 43kA (ASTM)	30kA (ASTM)	2.7



# Grounding Connectors



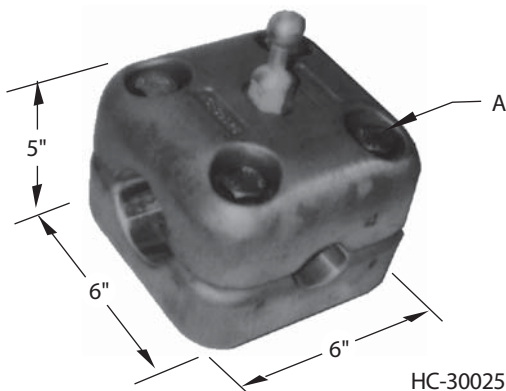
## Grounding Connector for Conductor or Tube Features

- Permanent ball stud grounding connector to install on vertical riser tube, solid rod, or conductor for easy installation of temporary grounding sets
- Meets ASTM and IEC standards
- Stainless steel hardware included

### Material

Connector: Aluminum  
Ball Stud: 99.9% electrolytic tin-plated copper

Catalog Number	Conductor		Tube (O.D.)	Connector Material	Bolt A	Capacity 15 Cycles	Capacity 30 Cycles	Weight Ea (lbs)
	Min	Max						
03-M-017-25	1/0 AWG	4/0 AWG	1/2	Aluminum	5/16	12kA (IEC) 15kA (ASTM)	10kA (ASTM)	0.9
03-M-018-25	4/0 AWG	350 MCM	5/8	Aluminum	3/8	12kA (IEC) 15kA (ASTM)	10kA (ASTM)	1.1
03-M-019-25	350 MCM	500 MCM	3/4	Aluminum	3/8	12kA (IEC) 15kA (ASTM)	10kA (ASTM)	1.2
03-M-020-25	1/0 AWG	2/0 AWG	3/8	Bronze	5/16	12kA (IEC) 15kA (ASTM)	10kA (ASTM)	0.9
03-M-021-25	2/0 AWG	4/0 AWG	1/2	Bronze	5/16	22kA (IEC) 27kA (ASTM)	20kA (ASTM)	1.1
03-M-022-25	4/0 AWG	350 MCM	5/8	Bronze	3/8	22kA (IEC) 27kA (ASTM)	20kA (ASTM)	1.3
03-M-023-25	350 MCM	500 MCM	3/4	Bronze	3/8	22kA (IEC) 27kA (ASTM)	20kA (ASTM)	1.5
HC-10019-25	500 MCM	750 MCM	7/8	Bronze	7/16	35kA (IEC) 43kA (ASTM)	30kA (ASTM)	2.0
HC-10020-25	750 MCM	1000 MCM	1	Bronze	1/2	35kA (IEC) 43kA (ASTM)	30kA (ASTM)	2.9
HC-10021-25	500 MCM	750 MCM	7/8	Aluminum	1/2	35kA (IEC) 43kA (ASTM)	30kA (ASTM)	3.9
HC-30023-25	1750 MCM	2500 MCM	1 9/16	Aluminum	1/2	35kA (IEC) 43kA (ASTM)	30kA (ASTM)	4.1
HC-30024-25	1000 MCM	1300 MCM	1 1/8	Bronze	1/2	35kA (IEC) 43kA (ASTM)	30kA (ASTM)	2.1
HC-30024-25-T	1000 MCM	1300 MCM	1 1/8	Tinned Bronze	1/2	35kA (IEC) 43kA (ASTM)	30kA (ASTM)	2.1
HC-30032-25	1500 MCM		1 1/4	Bronze	1/2	35kA (IEC) 43kA (ASTM)	30kA (ASTM)	2.5



## Ball Stud Grounding Connector Features

- Permanent ball grounding connector to install on conductor or tubes for easy installation of temporary ground sets
- Stainless steel hardware included

### Material

Connector: Aluminum  
Ball Stud: 99.9% electrolytic tin-plated copper

Catalog Number	Conductor	Ball Stud Included (Catalog No.)	Bolt A	Capacity 15 Cycles	Capacity 30 Cycles	Weight Ea (lbs)
HC-30025-20	1796 and 4000 MCM	20 mm (03-M-006)	5/8 - 11 UNC	35kA (IEC) 43kA (ASTM)	30kA (ASTM)	10.9
HC-30025-25	1796 and 4000 MCM	25 mm (HC-30029)	5/8 - 11 UNC	35kA (IEC) 43kA (ASTM)	30kA (ASTM)	10.9
HC-30025-30	1796 and 4000 MCM	30 mm (HC-30012)	5/8 - 11UNC	35kA (IEC) 43kA (ASTM)	30kA (ASTM)	10.9