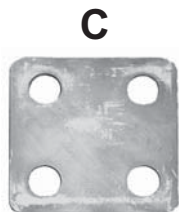
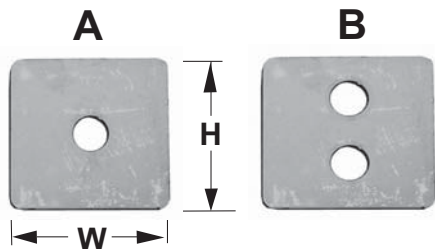
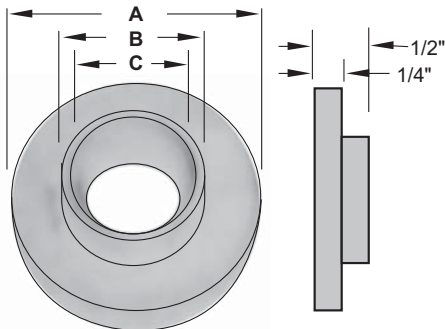
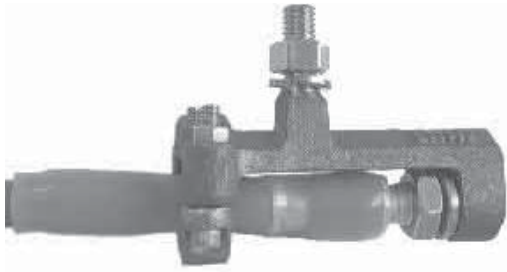




Grounding Ferrules, Spacers & Plates



T: Thickness

Ferrule Adapter

Features

- Serves as an interface between a jumper cable equipped with a stud ferrule, a grounding clamp, or apparatus
- Fitted to receive a 5/8 - 11 UNC threaded stud ferrule
- Shock damper reduces stress to cable

Material

Bronze

| Catalog Number | Jumper Cable | | Capacity 15 Cycles | Capacity 30 Cycles | Weight Ea (lbs) |
|----------------|--------------|-----|----------------------------|--------------------|-----------------|
| | Min | Max | | | |
| HC-10043 | #2 | 4/0 | 35 kA (IEC) 43kA (ASTM) | 30kA (ASTM) | 1.2 |

Grounding Assembly Carrying Bag

Features

- Orange carrying bag to permit storage and handling of up to three grounding assemblies

Material

Orange vinyl 19 oz

| Catalog Number | Dimensions |
|----------------|--------------|
| 01-C-025-25 | 25 x 25 x 2" |

Reducer Spacer

Features

- Reduces a 5/8" diameter hole in a grounding plate to a 1/2" hole for a grounding ball stud installation

Material

99.9% electrolytic tin-plated copper

| Catalog Number | Dimensions | | | Capacity 15 Cycles | Capacity 30 Cycles | Weight Ea (lbs) |
|----------------|------------|-----|-------|----------------------------|--------------------|-----------------|
| | A | B | C | | | |
| HC-10016 | 1 1/4 | 5/8 | 17/32 | 35 kA (IEC) 43kA (ASTM) | 30kA (ASTM) | 0.10 |

Grounding Plates

Features

- Permits installation of a grounding ball stud on a galvanized steel surface or any other surface to increase contact surface

Material

99.9% electrolytic tin-plated copper

| Catalog Number | Type | Dimensions | | | Capacity 15 Cycles | Capacity 30 Cycles | Weight Ea (lbs) |
|----------------|------|------------|-----|-----|---------------------------|--------------------|-----------------|
| | | T | W | H | | | |
| HC-30053 | A | 1/4 | 2.0 | 4.5 | 35kA (IEC) 43kA (ASTM) | 30kA (ASTM) | 0.8 |
| HC-30052 | A | 1/4 | 2.5 | 3.6 | 35kA (IEC) 43kA (ASTM) | 30kA (ASTM) | 0.8 |
| HC-30021 | A | 1/4 | 3.0 | 3.0 | 35kA (IEC) 43kA (ASTM) | 30kA (ASTM) | 0.9 |
| HC-30051 | A | 3/8 | 2.0 | 4.5 | 35kA (IEC) 43kA (ASTM) | 30kA (ASTM) | 1.2 |
| HC-30050 | A | 3/8 | 2.5 | 3.6 | 35kA (IEC) 43kA (ASTM) | 30kA (ASTM) | 1.2 |
| HC-30022 | A | 3/8 | 3.0 | 3.0 | 35kA (IEC) 43kA (ASTM) | 30kA (ASTM) | 0.9 |
| HC-30054 | B | 1/4 | 3.0 | 6.0 | 35kA (IEC) 43kA (ASTM) | 30kA (ASTM) | 1.6 |
| HC-30017 | C | 1/4 | 3.0 | 3.0 | 35kA (IEC) 43kA (ASTM) | 30kA (ASTM) | 0.4 |

Notes:

1) For 5/8" hardware, add suffix "-5/8". For 1/2" hardware, add suffix "-1/2".