



Ground Structures

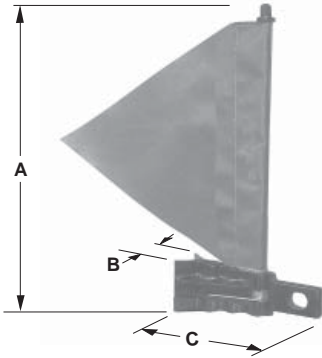
Features

- Permanent installation in an underground transformer vault (UTV)
- Used to verify the insulation integrity of distribution class URD conductors

Material

Ball studs: 99.9% electronically tin-plated copper
 Support: Structural fiberglass composite
 Cables: Copper with silicone jacket
 Clamps: Copper/Zinc tin-plated alloy
 Bar: Aluminum with polyurethane coating

Catalog Number	A	B	C	D	E	Weight Ea (lbs)
HC-70001	22 1/8	18 1/4	16	13 3/4	23 5/8	29
HC-70001R	22 1/8	18 1/4	17	13 3/4	23 5/8	29



Flags

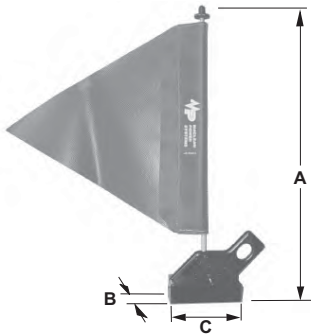
Features

- Fits onto a 1/4" to 3/8" diameter rod or signaling rope
- HC-10063 uses a Velcro-strip fastening system
- HC-10064 fits on 1/4" to 3/8" diameter or signaling rope

Material

Vinyl

Catalog Number	A	B	C	Color	Weight Ea (lbs)
HC-10063-R	12	12		Red	
HC-10063-V	12	12		Green	
HC-10064-R	6	6		Red	
HC-10064-V	6	6		Green	
HC-10047-R	15	2 5/8	4 5/16	Red	0.6
HC-10047-V	15	2 5/8	4 5/16	Green	0.6
HC-10047	15	2 5/8	4 5/16		0.6
HC-10047-A	4 3/4	2 5/8	4 5/16		0.6



Flags

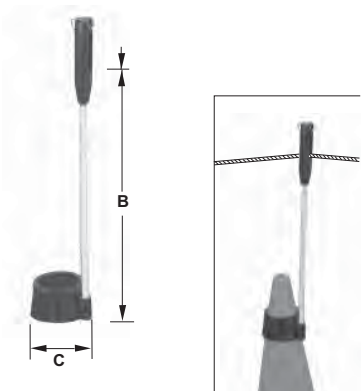
Features

- For installation on any steel surface
- Corrosion resistant magnet
- Installation eye for installation with shotgun stick

Material

Base: Steel with polyurethane coating
 Rod: Fiberglass

Catalog Number	A	B	C	Color	Weight Ea (lbs)
HC-10046-R	15 1/2	3	4 5/16	Red	1.6
HC-10046-V	15 1/2	3	4 5/16	Green	1.6
HC-10046	15 1/2	3	4 5/16		1.6



Flags

Features

- For installation on any steel surface
- Corrosion resistant magnet

Material

Base: Steel with fiberglass casing
 Rod: Fiberglass covered with polyethylene

Catalog Number	A	B	C	Color	Weight Ea (lbs)
HC-10046-R	10	2 7/8	2 1/8	Red	0.8
HC-10046-V	10	2 7/8	2 1/8	Green	0.8
HC-10046	10	2 7/8	2 1/8		0.8