

Non-Slip Wrench

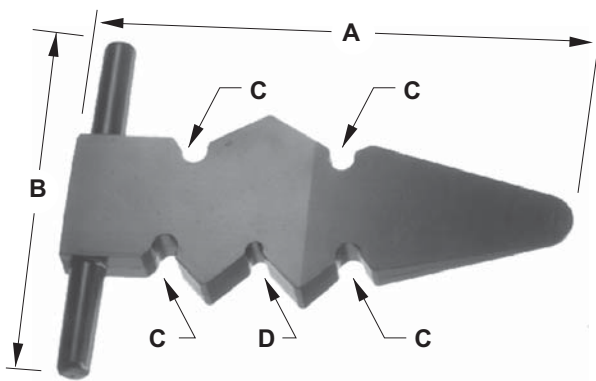
Features

- Universal wrench for bolting 1/2", 5/8, and 3/4"
- Grooved handle for a better grip

Material

Wrench: Steel
Handle: Polyurethane

Catalog Number	A	B	C	Weight Ea (lbs)
HC-10120	13 3/8	2	1 5/16	2.5



Spreaders

Features

- Used to separate triplex and quadruplex conductors for easy skinning of conductors and installation of connectors
- Handle reinforced with fiberglass rod

Material

Body: Polyurethane
Handle: Fiberglass

Catalog Number	A	B	Radius		Thickness (in)	Weight Ea (lbs)
			C	D		
01-P-026	14 3/4	11	3/8	1/4	1 13/32	2.8



Holding Accessories

Features

- Used to hold down the hot lin insulator blanket on a pole top pin
- Installation eye for mounting holder with a shotgun stick

Material

Body: Polyurethane
Screws: Nylon

Catalog Number	A	B	C	Color	Weight Ea (lbs)
01-P-062-1.9	7 1/4	4 3/4	1.9	Black	0.6
HC-10335	6 3/4	4 1/2	2 3/4	Black	0.6