

Hot Stick Carriers, Boom Mounted

Features

- Used to hold down the hot line insulator blanket on a pole top pin
- Installation eye for mounting holder with shotgun stick

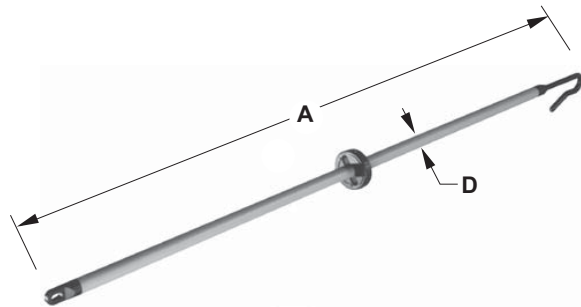
Material

Body: Polyurethane
Screws: Nylon

Catalog Number	A	B	C	Weight Ea (lbs)
01-P-058-4	12 1/2	8	9	5.2

Notes:

- 1) Ratchet slings not included



Insulated Sticks & Accessories

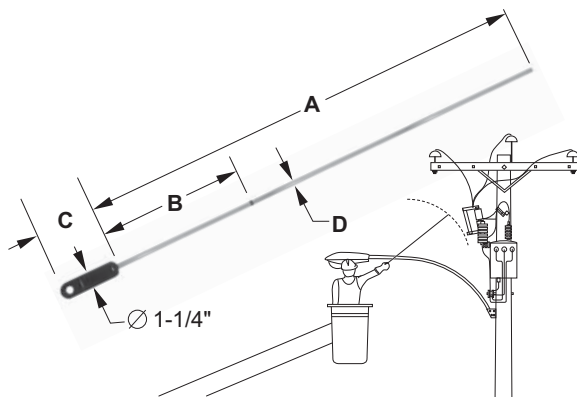
Features

- Used to tighten and loosen hardware
- Supplied with polyurethane handguard
- 7/16" hexagon drive at one end and 1/2" square drive at other end
- Torque rating: 3/8" 20 to 25 ft/lbs 1/2" 40 to 45 ft/lbs

Material

Tube: Fiberglass filled with polyurethane foam
7/16" and 1/2" drives: Stainless steel

Catalog Number	A	D	Weight Ea (lbs)
01-PM-044	48 7/8	1 1/4	2.4



Insulated Sticks & Accessories

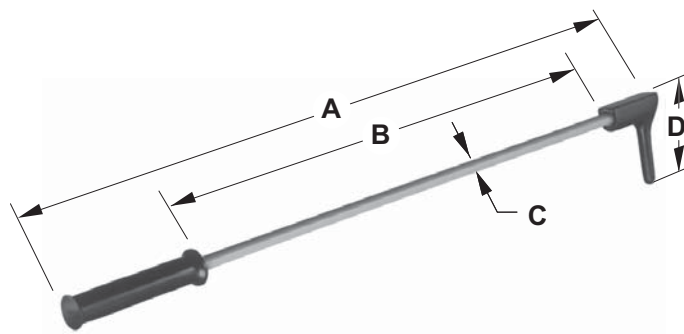
Features

- Used to ascertain approach limit to line component
- Installation eye for use with shotgun stick

Material

Rod: Fiberglass
Handle: Polyurethane

Catalog Number	A	B	C	D	Weight Ea (lbs)
01-PM-044	24	12	4 1/2	0.362	0.3
01-P-072-36	36				0.4
01-P-072-48	48				0.5



Insulated Sticks & Accessories

Features

- Used to open and close conductor holder

Material

Tube: Fiberglass filled with polyurethane foam
Hook and handle: Polyurethane

Catalog Number	A	B	C	D	Weight Ea (lbs)
01-P-002	40	26	5/8	4 7/8	0.9