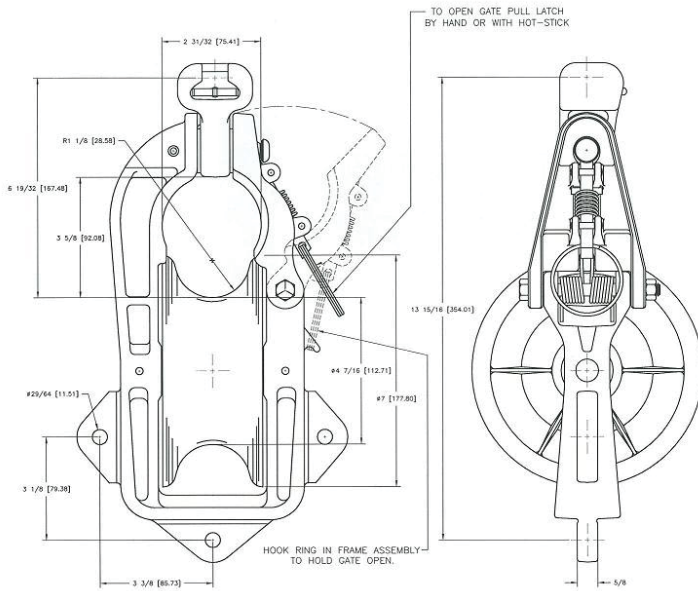




Stringing Equipment



Blocks, Distribution

Features

- "Quick opening gate" allows for spring loaded gate closure
- Versatile mounting-mounts in 5 different angles

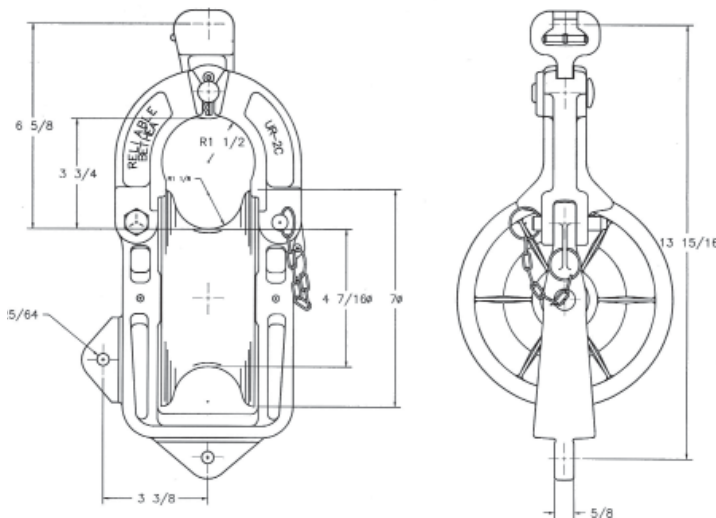
Materials

A356 Aluminum Alloy-Heat treated to T6 condition

Catalog Number	Sheave Lining	Max Cond. Dia.	Safe Working Load	Ultimate Strength		Weight Ea (lbs)
			Suspended or Lug Mounted	Suspended (lbs)	Lug Mounted (lbs)	
UR-2B	Machined	2 in.	2500	12000	7500	9.4
UR-2B-UL	Urethane					

Notes:

1) Optional Fittings: "-C" for CB-55 Clevis Ball, "-Y" for YCB-65A Y-clevis ball, "-H" for BH-ball hook, "-SH" for SHB-1 safety ball hook, and "-OE" for OEB-55 oval eye ball



Blocks, Distribution

Features

- Gate closed by use of a ball loc pin
- Versatile mounting-mounts in 5 different angles

Catalog Number	Sheave Lining	Max Cond. Dia.	Safe Working Load	Ultimate Strength		Weight Ea (lbs)
			Suspended or Lug Mounted	Suspended (lbs)	Lug Mounted (lbs)	
UR-2C	Machined	2 in.	2500	12000	7500	7.8
UR-2C-UL	Urethane					

Notes:

1) Optional Fittings: "-C" for CB-55 Clevis Ball, "-Y" for YCB-65A Y-clevis ball, "-H" for BH-Lball hook, "-SH" for SHB-1 safety ball hook, and "-OE" for OEB-55 oval eye ball