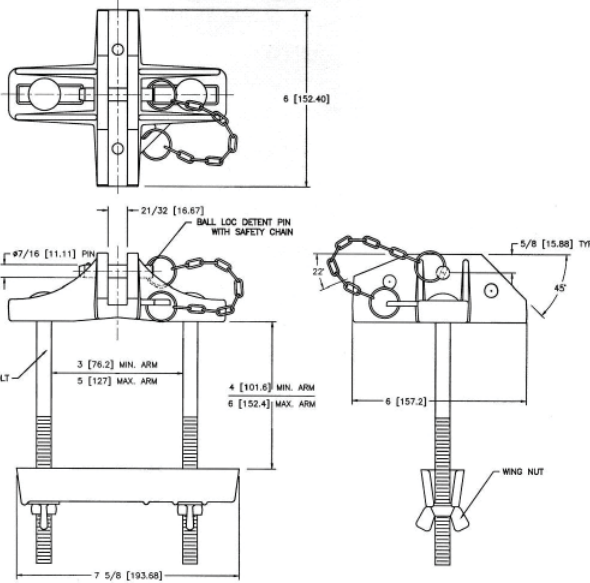




Stringing Equipment



Brackets, Crossarm

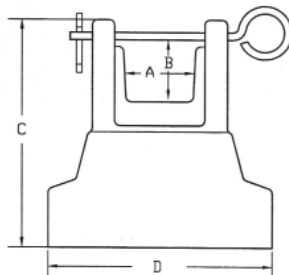
Features

- Bracket allows for 5 block positions: 0, 22, 45, 68, and 90°

Material

Frame: A356T6 Aluminum Alloy
 Fasteners and Pins: Steel, cadmium, or electro zinc plated

Catalog Number	Safe Working Load	Ultimate Working Load	Max Xarm Dim	Weight Ea (lbs)
XA-1	2500	7500	6" high x 5" wide	3.25



S-823-SR



S-823 (shown) & S-823SI

Pin Insulators

Features

- A protective, polymeric device used for installing the wire for distribution class applications at voltages below 35kV
- Three designs available that can be mounted on standard NEMA pins with 1" acme threads

Material

Polymer construction

Catalog Number	A	B	C	D	Dry Arc (in)	CIF Dry (kV)	DIF Wet	Dielectric Strength (V)	Leakage Distance	Weight Ea (lbs)
S-823	1.75	2.50	7.00	6.25	6.12	94	82	580	16.0	3
S-823SI	2.50	2.90			5.75	87	76		15.5	3.6
S-823SR	2.87	1.87			6.75	104	91		17.0	3.5