



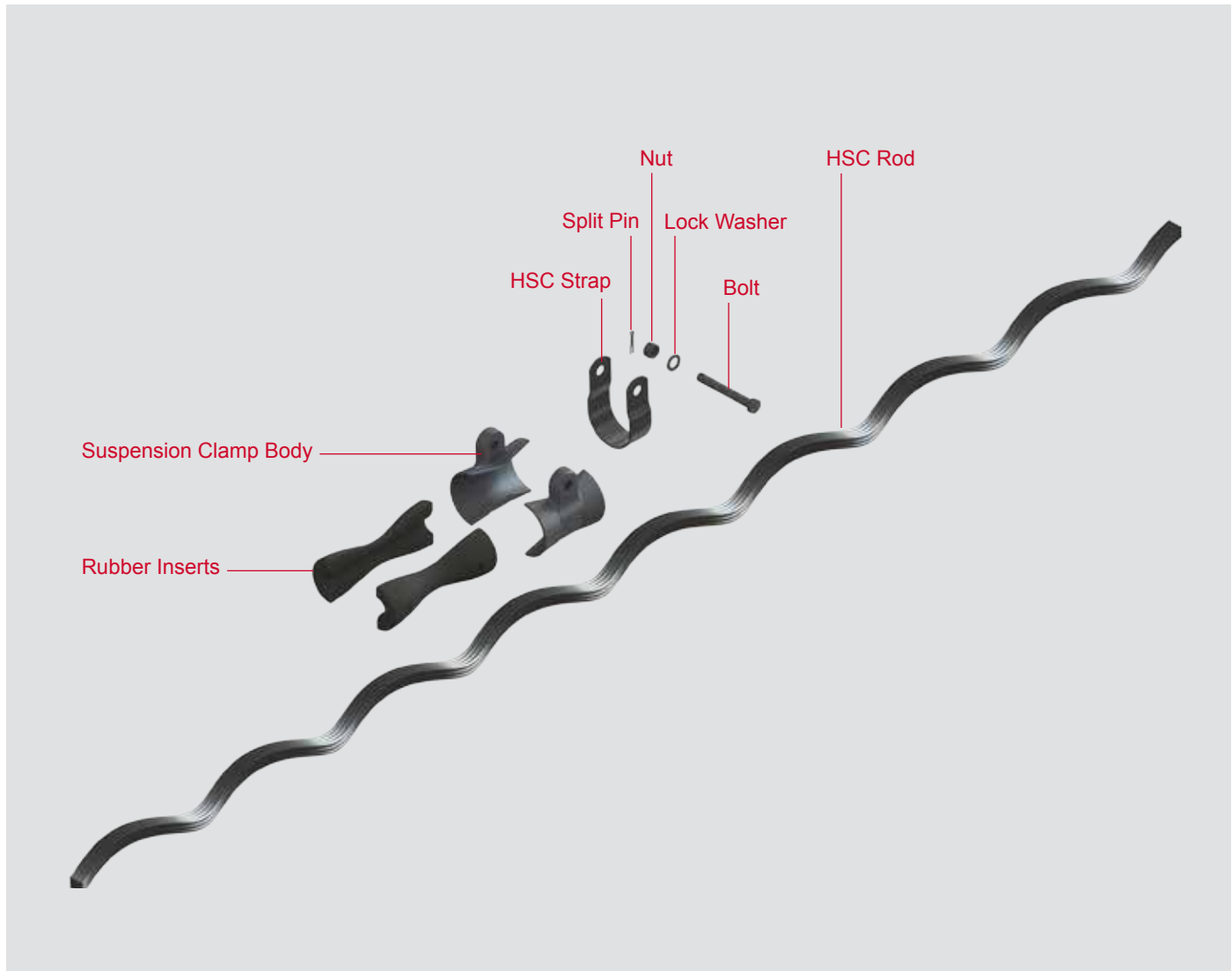
Helical Suspension Clamps

macleanpower.com



Helical Suspension Clamps

Components



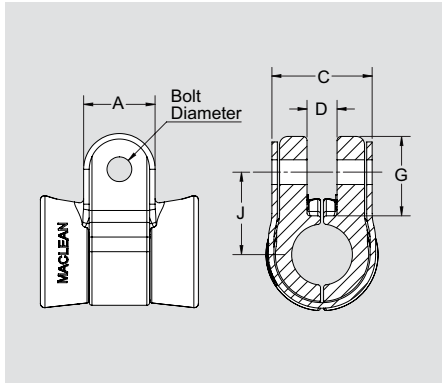
Purpose

Helical Suspension Clamps provide additional protection over traditional clamped suspensions. The HSC rods combined with the rubber insert, provide exceptional protection from conductor strand breakage.

Materials



Rubber Insert - EPDM Rubber
Suspension Clamp Body- Aluminum Alloy
HSC strap - Aluminum Alloy
Bolt, nut, lockwasher - Galvanized Steel
Split Pin - Stainless Steel
HSC rod - Aluminum Alloy

Dimensions for HSC Frame with Strap



Conductor Range	A	C	D	G	J	Bolt Dia.	Vertical Rating in lbs
0.543" - 0.645"	1.75"	2.16"	0.72"	1.91"	1.94"	0.63"	10,000
0.646" - 0.750"	1.75"	2.25"	0.75"	1.88"	2.16"	0.63"	15,000
0.751" - 0.907"	2.00"	2.69"	0.88"	2.00"	2.34"	0.63"	20,000
0.908" - 1.005"	2.00"	2.94"	0.88"	2.00"	2.53"	0.63"	20,000
1.006" - 1.208"	2.25"	3.5"	1.19"	2.13"	2.70"	0.63"	25,000
1.209" - 1.355"	2.25"	3.63"	1.25"	2.38"	3.16"	0.75"	25,000
1.356" - 1.557"	2.25"	4.12"	1.38"	2.25"	2.97"	0.75"	25,000
1.558" - 1.882"	2.50"	4.69"	2.25"	2.38"	3.19"	0.75"	25,000

Fittings for HSC Series

Conductor Range	Catalog Number			HSC Rating in lbs
	Socket Eye (-S)	Clevis Eye (-C)	Y-Clevis Eye (-RYCI)	
0.543" - 0.645"	 SI-500	 SCE-55-500	 RYCE-65-625	10,000
0.646" - 0.750"	SI-500	SCE-55-500	RYCE-65-625	15,000
0.751" - 0.907"	SI-750	SCE-55-750	RYCE-65-750	20,000
0.908" - 1.005"	SI-750	SCE-55-750	RYCE-65-750	20,000
1.006" - 1.208"	SI-1062	SCE-55-1125	RYCE-65-1062	25,000
1.209" - 1.355"	SE-1000-6	SCE-56-1125	RYCE-66-1062	25,000
1.356" - 1.557"	SE-1000-6	SCE-56-1125	RYCE-66-1062	25,000
1.558" - 1.882"	SE-2000-6	SCE-56-2187	RYCI-66-2125	25,000

Helical Suspension Clamps

Single Helical Suspension Clamp

For use on AAAC, AAC, ACSR, Compacted ACSR, ACSS, and ACSS/TW. For High Temperature conductor such as ACSS, ACCR, etc., add "-HT" as a suffix to the catalog number.

Designed for line angles up to 30°. Slip load is rated for 20% of conductor RBS.



230kV and Below

Catalog numbers can be found by selecting the catalog number prefix for the specifications you need in the table, then adding the suffix based on desired options. For example, in the first row:

HSC-0543-N is a clamp that works with conductors 0.543 - 0.555 inches in diameter with no fitting. For a Clevis Eye the catalog number ordered would be HSC-0543-C.

Prefix	Catalog Number				Conductor Range (In.)	Nominal Conductors	Length	Rod Dia.	Std. Pack	Wt. in lbs*	Color Code
	No Fitting	With Socket Eye	With Clevis Eye	With Rotated Y-Clevis Eye							
HSC-0543	-N	-S	-C	-RYCI	0.543 - 0.555	2/0, 3/4AWAC 3/4AWAC	44	0.182	18	53	Black
HSC-0556	-N	-S	-C	-RYCI	0.556 - 0.573	4/0, 1/0	44	0.182	18	55	White
HSC-0574	-N	-S	-C	-RYCI	0.574 - 0.594	266.8, 7-19W 7-19W AAC	45	0.182	18	56	Brown
HSC-0595	-N	-S	-C	-RYCI	0.595 - 0.606	266.8, 18/1AWAC	46	0.182	18	53	Orange
HSC-0607	-N	-S	-C	-RYCI	0.607 - 0.619	266.8, 18/1 18/1	46	0.182	18	56	Purple
HSC-0620	-N	-S	-C	-RYCI	0.620 - 0.645	266.8, 26/7 26/7	50	0.182	18	61	Red
HSC-0646	-N	-S	-C	-RYCI	0.646 - 0.673	336.4, 19-34W AAC	54	0.204	15	60	Blue
HSC-0674	-N	-S	-C	-RYCI	0.674 - 0.690	300, 26/7	54	0.204	15	61	Green
HSC-0691	-N	-S	-C	-RYCI	0.691 - 0.710	300, 30/7	54	0.204	15	64	Yellow
HSC-0711	-N	-S	-C	-RYCI	0.711 - 0.731	336.4, 26/7	55	0.204	15	65	Black
HSC-0732	-N	-S	-C	-RYCI	0.732 - 0.750	336.4, 30/7	56	0.204	15	66	White
HSC-0751	-N	-S	-C	-RYCI	0.751 - 0.768	397.5, 26/7 AWAC	60	0.25	12	68	Brown
HSC-0769	-N	-S	-C	-RYCI	0.769 - 0.795	397.5, 26/7	60	0.25	12	68	Orange
HSC-0796	-N	-S	-C	-RYCI	0.796 - 0.824	477, 18/1	61	0.25	12	73	Purple
HSC-0825	-N	-S	-C	-RYCI	0.825 - 0.845	477, 26/7 AWAC	64	0.25	12	76	Red
HSC-0846	-N	-S	-C	-RYCI	0.846 - 0.870	477, 26/7	64	0.25	12	76	Blue
HSC-0871	-N	-S	-C	-RYCI	0.871 - 0.893	600, 37W AAC	65	0.25	12	81	Green
HSC-0894	-N	-S	-C	-RYCI	0.894 - 0.907	500, 30/7	65	0.25	12	82	Green
HSC-0908	-N	-S	-C	-RYCI	0.908 - 0.920	556.5, 24/7	66	0.25	9	81	Yellow
HSC-0921	-N	-S	-C	-RYCI	0.921 - 0.937	556.5, 26/7	66	0.25	9	81	Black
HSC-0938	-N	-S	-C	-RYCI	0.938 - 0.962	605, 24/7	67	0.25	9	81	White
HSC-0963	-N	-S	-C	-RYCI	0.963 - 0.986	636, 24/7	68	0.25	9	87	Brown
HSC-0987	-N	-S	-C	-RYCI	0.987 - 1.005	636, 26/7	69	0.25	9	87	Orange



Prefix	Catalog Number				Conductor Range	Nominal Conductors	Length	Rod Dia.	Std. Pack	Wt. in lbs*	Color Code
	No Fitting	With Socket Eye	With Clevis Eye	With Rotated Y-Clevis Eye							
HSC-1006	-N	-S	-C	-RYCI	1.006 - 1.022	636, 30/19	70	0.31	6	73	Purple
HSC-1023	-N	-S	-C	-RYCI	1.023 - 1.040	795, 37-61W AAC	78	0.31	6	75	Red
HSC-1041	-N	-S	-C	-RYCI	1.041 - 1.074	715.5, 26/7	78	0.31	6	75	Blue
HSC-1075	-N	-S	-C	-RYCI	1.075 - 1.090	874.5, 37W	78	0.31	6	78	Green
HSC-1091	-N	-S	-C	-RYCI	1.091 - 1.118	795, 26/7	78	0.31	6	78	Yellow
HSC-1119	-N	-S	-C	-RYCI	1.119 - 1.136	954, 37W AAC	78	0.31	6	78	Black
HSC-1137	-N	-S	-C	-RYCI	1.137 - 1.152	795, 30/19	78	0.31	6	78	White
HSC-1153	-N	-S	-C	-RYCI	1.153 - 1.175	954, 45/7	82	0.31	6	79	Brown
HSC-1176	-N	-S	-C	-RYCI	1.176 - 1.208	954, 54/7	82	0.31	6	79	Orange
HSC-1209	-N	-S	-C	-RYCI	1.209 - 1.226	1113, 61W	82	0.365	3	55	Purple
HSC-1227	-N	-S	-C	-RYCI	1.227 - 1.259	1192.5, 61W AAC	88	0.365	3	55	Red
HSC-1260	-N	-S	-C	-RYCI	1.260 - 1.286	1113, 48/7	88	0.365	3	58	Blue
HSC-1287	-N	-S	-C	-RYCI	1.287 - 1.314	1272, 61W	88	0.365	3	58	Green
HSC-1315	-N	-S	-C	-RYCI	1.315 - 1.355	1272, 45/7	88	0.365	3	58	Yellow
HSC-1356	-N	-S	-C	-RYCI	1.356 - 1.394	1272, 54/19	88	0.365	3	60	Black
HSC-1395	-N	-S	-C	-RYCI	1.395 - 1.416	1351, 54/19 AWAC	88	0.365	3	61	White
HSC-1417	-N	-S	-C	-RYCI	1.417 - 1.442	1510.5, 61W	88	0.365	3	62	Brown
HSC-1443	-N	-S	-C	-RYCI	1.443 - 1.477	1431, 54/19	88	0.365	3	64	Orange
HSC-1478	-N	-S	-C	-RYCI	1.478 - 1.516	1590, 45/7	88	0.365	3	64	Purple
HSC-1517	-N	-S	-C	RYCI	1.517 - 1.557	1590, 54/19	88	0.365	3	64	Red
HSC-1558	-N	-S	-C	-RYCI	1.558 - 1.579	1780, 72/7	88	0.365	3	66	Blue
HSC-1580	-N	-S	-C	-RYCI	1.580 - 1.612	1780, 84/19	100	0.365	3	78	Green
HSC-1613	-N	-S	-C	-RYCI	1.613 - 1.650	2000, 91W	100	0.365	3	79	Yellow
HSC-1651	-N	-S	-C	-RYCI	1.651 - 1.688	2000, 72/7	100	0.365	3	83	Black
HSC-1689	-N	-S	-C	-RYCI	1.689 - 1.711	2000, 84/19	100	0.365	3	83	White
HSC-1712	-N	-S	-C	-RYCI	1.712 - 1.752	2129, 84/19	100	0.365	3	83	Brown
HSC-1753	-N	-S	-C	-RYCI	1.753 - 1.790	2156, 84/19	100	0.365	3	83	Orange
HSC-1791	-N	-S	-C	-RYCI	1.791 - 1.828	2300, 84/19	100	0.365	3	83	Purple
HSC-1829	-N	-S	-C	-RYCI	1.829 - 1.882	2515MCM, 76/19	100	0.365	3	85	Red

Right hand lay standard

For High Temperature conductor add "-HT" as a suffix to the catalog number

Helical Suspension Clamps

Single Helical Suspension Clamp High Voltage

For use on AAC, AAC, ACSR, Compacted ACSR, ACSS, and ACSS/TW. For High Temperature conductor such as ACSS, ACCR, etc., add "-HT" as a suffix to the catalog number



Designed for line angles up to 30°. Slip load is rated for 20% of conductor RBS.

345kV and Above

Catalog numbers can be found by selecting the catalog number prefix for the specifications you need in the table, then adding the suffix based on your desired options. For example, in the first row:

HSC-0543-EHV-N is a clamp that works with conductors 0.908 - 0.920 inches in diameter with no fitting. For a Clevis Eye the catalog number ordered would be HSC-0543-EHV-C.

Prefix	Catalog Number				Conductor Range	Nominal Conductors	Length	Rod Dia.	Std. Pack	Wt. in lbs*	Color Code
	No Fitting	With Socket Eye	With Clevis Eye	With Rotated Y-Clevis Eye							
HSC-0908-EHV	-N	-S	-C	-RYCI	0.908 - 0.920	556.5,24/7	66	0.25	9	81	Yellow
HSC-0921-EHV	-N	-S	-C	-RYCI	0.921 - 0.937	556.5,26/7	66	0.25	9	81	Black
HSC-0938-EHV	-N	-S	-C	-RYCI	0.938 - 0.962	556.5,30/7	67	0.25	9	81	White
HSC-0963-EHV	-N	-S	-C	-RYCI	0.963 - 0.986	605,26/7	68	0.25	9	87	Brown
HSC-0987-EHV	-N	-S	-C	-RYCI	0.987 - 1.005	605,30/19	69	0.25	9	87	Orange
HSC-1.006-EHV	-N	-S	-C	-RYCI	1.006 - 1.022	636,30/19	70	0.31	6	73	Purple
HSC-1023-EHV	-N	-S	-C	-RYCI	1.023 - 1.040	715.5,24/7	78	0.31	6	75	Red
HSC-1041-EHV	-N	-S	-C	-RYCI	1.041 - 1.074	715.5,26/7	78	0.31	6	75	Blue
HSC-1075-EHV	-N	-S	-C	-RYCI	1.075 - 1.090	715.5,30/19	78	0.31	6	78	Green
HSC-1091-EHV	-N	-S	-C	-RYCI	1.091 - 1.118	795,26/7	78	0.31	6	78	Yellow
HSC-1119-EHV	-N	-S	-C	-RYCI	1.119 - 1.136	900,45/7	78	0.31	6	78	Black
HSC-1137-EHV	-N	-S	-C	-RYCI	1.137 - 1.152	795,30/19	78	0.31	6	78	White
HSC-1153-EHV	-N	-S	-C	-RYCI	1.153 - 1.175	900,54/7	82	0.31	6	79	Brown
HSC-1176-EHV	-N	-S	-C	-RYCI	1.176 - 1.208	954,54/7	82	0.31	6	79	Orange
HSC-1209-EHV	-N	-S	-C	-RYCI	1.209 - 1.226	1033.5,45/7	82	0.365	3	55	Purple
HSC-1227-EHV	-N	-S	-C	-RYCI	1.227 - 1.259	1033.5,54/7	88	0.365	3	55	Red
HSC-1260-EHV	-N	-S	-C	-RYCI	1.260 - 1.286	1113,48/7	88	0.365	3	58	Blue
HSC-1287-EHV	-N	-S	-C	-RYCI	1.287 - 1.314	1113,54/19	88	0.365	3	58	Green
HSC-1315-EHV	-N	-S	-C	-RYCI	1.315 - 1.355	1192.5,54/19	88	0.365	3	58	Yellow
HSC-1356-EHV	-N	-S	-C	-RYCI	1.356 - 1.394	1272,54/19	88	0.365	3	60	Black
HSC-1395-EHV	-N	-S	-C	-RYCI	1.395 - 1.416	1351.5,48/7	88	0.365	3	61	White
HSC-1417-EHV	-N	-S	-C	-RYCI	1.417 - 1.442	1351.5,54/19	88	0.365	3	62	Brown
HSC-1443-EHV	-N	-S	-C	-RYCI	1.443 - 1.477	1431,48/7	88	0.365	3	64	Orange



Prefix	Catalog Number				Conductor Range	Nominal Conductors	Length	Rod Dia.	Std. Pack	Wt. in lbs*	Color Code
	No Fitting	With Socket Eye	With Clevis Eye	With Rotated Y-Clevis Eye							
HSC-1478-EHV	-N	-S	-C	-RYCI	1.478 - 1.516	1510,5,54/19	88	0.365	3	64	Purple
HSC-1517-EHV	-N	-S	-C	-RYCI	1.517 - 1.557	1590,54/19	88	0.365	3	64	Red
HSC-1558-EHV	-N	-S	-C	-RYCI	1.558 - 1.579	1780,72/7	88	0.365	3	66	Blue
HSC-1580-EHV	-N	-S	-C	-RYCI	1.580 - 1.612	1780,84/19	100	0.365	3	78	Green
HSC-1613-EHV	-N	-S	-C	-RYCI	1.613 - 1.650	2000,91W	100	0.365	3	79	Yellow
HSC-1651-EHV	-N	-S	-C	-RYCI	1.651 - 1.688	2000,72/7	100	0.365	3	83	Black
HSC-1689-EHV	-N	-S	-C	-RYCI	1.689 - 1.711	2000,84/19	100	0.365	3	83	White
HSC-1712-EHV	-N	-S	-C	-RYCI	1.712 - 1.752	2129,84/19	100	0.365	3	83	Brown
HSC-1753-EHV	-N	-S	-C	-RYCI	1.753 - 1.790	2156,84/19	100	0.365	3	83	Orange
HSC-1791-EHV	-N	-S	-C	-RYCI	1.791 - 1.828	2300,84/19	100	0.365	3	83	Purple
HSC-1829-EHV	-N	-S	-C	-RYCI	1.829 - 1.882		100	0.365	3	85	Red

Right hand lay standard

Helical Suspension Clamps

Double Helical Suspension Clamp

For use on AAAC, AAC, ACSR, Compacted ACSR, ACSS, and ACSS/TW. For High Temperature conductor such as ACSS, ACCR, etc., add "-HT" as a suffix to the catalog number

Designed for line angles between 30° and 60°. Slip load is rated for 20% of conductor RBS.



230kV and Below

Catalog numbers can be found by selecting the catalog number prefix for the specifications you need in the table, then adding the suffix based on your desired options. For example, in the first row:

DHSC-0543-N is a clamp that works with conductors 0.543 - 0.555 inches in diameter with no fitting. For a Clevis Eye the catalog number ordered would be DHSC-0543-C.

Prefix	Catalog Number				Conductor Range	Nominal Conductors	Length	Rod Dia.	Std. Pack	Wt. in lbs*	Color Code
	No Fitting	With Socket Eye	With Clevis Eye	With Rotated Y-Clevis Eye							
DHSC-0543	-N	-S	-C	-RYCI	0.543 - 0.555	2/0, 3/4AWAC 3/4AWAC	58	0.182	18	89	Black
DHSC-0556	-N	-S	-C	-RYCI	0.556 - 0.573	4/0, 1/0	58	0.182	18	92	White
DHSC-0574	-N	-S	-C	-RYCI	0.574 - 0.594	266.8, 7-19W 7-19W AAC	58	0.182	18	92	Brown
DHSC-0595	-N	-S	-C	-RYCI	0.595 - 0.606	266.8, 18/1AWAC	58	0.182	18	92	Orange
DHSC-0607	-N	-S	-C	-RYCI	0.607 - 0.619	266.8, 18/1 18/1	58	0.182	18	92	Purple
DHSC-0620	-N	-S	-C	-RYCI	0.620 - 0.645	266.8, 26/7 26/7	66	0.182	18	92	Red
DHSC-0646	-N	-S	-C	-RYCI	0.646 - 0.673	336.4, 19-34W AAC	72	0.204	15	98	Blue
DHSC-0674	-N	-S	-C	-RYCI	0.674 - 0.690	300, 26/7	72	0.204	15	100	Green
DHSC-0691	-N	-S	-C	-RYCI	0.691 - 0.710	300, 30/7	72	0.204	15	105	Yellow
DHSC-0711	-N	-S	-C	-RYCI	0.711 - 0.731	336.4, 26/7	72	0.204	15	105	Black
DHSC-0732	-N	-S	-C	-RYCI	0.732 - 0.750	336.4, 30/7	72	0.204	15	105	White
DHSC-0751	-N	-S	-C	-RYCI	0.751 - 0.768	397.5, 26/7 AWAC	78	0.250	12	110	Brown
DHSC-0769	-N	-S	-C	-RYCI	0.769 - 0.795	397.5, 26/7	78	0.250	12	110	Orange
DHSC-0796	-N	-S	-C	-RYCI	0.796 - 0.824	477, 18/1	78	0.250	12	114	Purple
DHSC-0825	-N	-S	-C	-RYCI	0.825 - 0.845	477, 26/7 AWAC	82	0.250	12	119	Red
DHSC-0846	-N	-S	-C	-RYCI	0.846 - 0.870	477, 26/7	82	0.250	12	119	Blue
DHSC-0871	-N	-S	-C	-RYCI	0.871 - 0.893	600, 37W AAC	82	0.250	12	126	Green
DHSC-0894	-N	-S	-C	-RYCI	0.894 - 0.907	500, 30/7	82	0.250	12	126	Green
DHSC-0908	-N	-S	-C	-RYCI	0.908 - 0.920	556.5, 24/7	90	0.250	9	133	Yellow
DHSC-0921	-N	-S	-C	-RYCI	0.921 - 0.937	556.5, 26/7	90	0.250	9	110	Black
DHSC-0938	-N	-S	-C	-RYCI	0.938 - 0.962	605, 24/7	90	0.250	9	110	White
DHSC-0963	-N	-S	-C	-RYCI	0.963 - 0.986	636, 24/7	90	0.250	9	115	Brown
DHSC-0987	-N	-S	-C	-RYCI	0.987 - 1.005	636, 26/7	90	0.250	9	115	Orange



Prefix	Catalog Number				Conductor Range	Nominal Conductors	Length	Rod Dia.	Std. Pack	Wt. in lbs*	Color Code
	No Fitting	With Socket Eye	With Clevis Eye	With Rotated Y-Clevis Eye							
DHSC-1006	-N	-S	-C	-RYCI	1.006 - 1.022	636, 30/19	108	0.310	6	117	Purple
DHSC-1023	-N	-S	-C	-RYCI	1.023 - 1.040	795, 37-61W AAC	108	0.310	6	117	Red
DHSC-1041	-N	-S	-C	-RYCI	1.041 - 1.074	715.5, 26/7	108	0.310	6	117	Blue
DHSC-1075	-N	-S	-C	-RYCI	1.075 - 1.090	874.5, 37W	108	0.310	6	122	Green
DHSC-1091	-N	-S	-C	-RYCI	1.091 - 1.118	795, 26/7	108	0.310	6	122	Yellow
DHSC-1119	-N	-S	-C	-RYCI	1.119 - 1.136	954, 37W AAC	108	0.310	6	123	Black
DHSC-1137	-N	-S	-C	-RYCI	1.137 - 1.152	795, 30/19	108	0.310	6	123	White
DHSC-1153	-N	-S	-C	-RYCI	1.153 - 1.175	954, 45/7	108	0.310	6	123	Brown
DHSC-1176	-N	-S	-C	-RYCI	1.176 - 1.208	954, 54/7	108	0.310	6	123	Orange
DHSC-1209	-N	-S	-C	-RYCI	1.209 - 1.226	1113, 61W	117	0.365	3	86	Purple
DHSC-1227	-N	-S	-C	-RYCI	1.227 - 1.259	1192.5, 61W AAC	117	0.365	3	86	Red
DHSC-1260	-N	-S	-C	-RYCI	1.260 - 1.286	1113, 48/7	117	0.365	3	90	Blue
DHSC-1287	-N	-S	-C	-RYCI	1.287 - 1.314	1272, 61W	117	0.365	3	90	Green
DHSC-1315	-N	-S	-C	-RYCI	1.315 - 1.355	1272, 45/7	117	0.365	3	90	Yellow
DHSC-1356	-N	-S	-C	-RYCI	1.356 - 1.394	1272, 54/19	120	0.365	3	96	Black
DHSC-1395	-N	-S	-C	-RYCI	1.395 - 1.416	1351, 54/19 AWAC	120	0.365	3	100	White
DHSC-1417	-N	-S	-C	-RYCI	1.417 - 1.442	1510.5, 61W	120	0.365	3	100	Brown
DHSC-1443	-N	-S	-C	-RYCI	1.443 - 1.477	1431, 54/19	120	0.365	3	100	Orange
DHSC-1478	-N	-S	-C	-RYCI	1.478 - 1.516	1590, 45/7	120	0.365	3	100	Purple
DHSC-1517	-N	-S	-C	-RYCI	1.517 - 1.557	1590, 54/19	120	0.365	3	100	Red
DHSC-1558	-N	-S	-C	-RYCI	1.558 - 1.579	1780, 72/7	137	0.365	3	125	Blue
DHSC-1580	-N	-S	-C	-RYCI	1.580 - 1.612	1780, 84/19	137	0.365	3	125	Green
DHSC-1613	-N	-S	-C	-RYCI	1.613 - 1.650	2000, 91W	137	0.365	3	126	Yellow
DHSC-1651	-N	-S	-C	-RYCI	1.651 - 1.688	2000, 72/7	137	0.365	3	131	Black
DHSC-1689	-N	-S	-C	-RYCI	1.689 - 1.711	2000, 84/19	137	0.365	3	131	White
DHSC-1712	-N	-S	-C	-RYCI	1.712 - 1.752	2129, 84/19	137	0.365	3	131	Brown
DHSC-1753	-N	-S	-C	-RYCI	1.753 - 1.790	2156, 84/19	137	0.365	3	131	Orange
DHSC-1791	-N	-S	-C	-RYCI	1.791 - 1.828	2300, 84/19	137	0.365	3	131	Purple

Right hand lay standard

*Weight is per each standard pack

Helical Suspension Clamps

4D Vibration Dampers Double Helical Suspension Clamp (EHV)

For use on AAC, AAC, ACSR, Compacted ACSR, ACSS, and ACSS/ TW. For High Temperature conductor such as ACSS, ACCR, etc., add "-HT" as a suffix to the catalog number.



EHV End



Designed for line angles between 30° and 60°. Slip load is rated for 20% of conductor RBS.

345kV and Above

Catalog numbers can be found by selecting the catalog number prefix for the specifications you need in the table, then adding the suffix based on your desired options. For example, in the first row:

DHSC-0543-EHV-N is a clamp that works with conductors 0.908 - 0.920 inches in diameter with no fitting. For a Clevis Eye the catalog number ordered would be DHSC-0543-EHV-C.

Prefix	Catalog Number				Conductor Range (In.)	Nominal Conductors	Length	Rod Dia.	Std. Pack	Wt. in lbs*	Color Code
	No Fitting	With Socket Eye	With Clevis Eye	With Rotated Y-Clevis Eye							
DHSC-0908-EHV	-N	-S	-C	-RYCI	0.908 - 0.920	556.5, 24/7	90	0.25	9	133	Yellow
DHSC-0921-EHV	-N	-S	-C	-RYCI	0.921 - 0.937	556.5, 26/7	90	0.25	9	110	Black
DHSC-0938-EHV	-N	-S	-C	-RYCI	0.938 - 0.962	605, 24/7	90	0.25	9	110	White
DHSC-0963-EHV	-N	-S	-C	-RYCI	0.963 - 0.986	636, 24/7	90	0.25	9	115	Brown
DHSC-0987-EHV	-N	-S	-C	-RYCI	0.987 - 1.005	636, 26/7	90	0.25	9	115	Orange
DHSC-1006-EHV	-N	-S	-C	-RYCI	1.006 - 1.022	636, 30/19	108	0.31	6	117	Purple
DHSC-1023-EHV	-N	-S	-C	-RYCI	1.023 - 1.040	795, 37-61W AAC	108	0.31	6	117	Red
DHSC-1041-EHV	-N	-S	-C	-RYCI	1.041 - 1.074	715.5, 26/7	108	0.31	6	117	Blue
DHSC-1075-EHV	-N	-S	-C	-RYCI	1.075 - 1.090	874.5, 37W	108	0.31	6	122	Green
DHSC-1091-EHV	-N	-S	-C	-RYCI	1.091 - 1.118	795, 26/7	108	0.31	6	122	Yellow
DHSC-1119-EHV	-N	-S	-C	-RYCI	1.119 - 1.136	954, 37W AAC	108	0.31	6	123	Black
DHSC-1137-EHV	-N	-S	-C	-RYCI	1.137 - 1.152	795, 30/19	108	0.31	6	123	White
DHSC-1153-EHV	-N	-S	-C	-RYCI	1.153 - 1.175	954, 45/7	108	0.31	6	123	Brown
DHSC-1176-EHV	-N	-S	-C	-RYCI	1.176 - 1.208	954, 54/7	108	0.31	6	123	Orange
DHSC-1209-EHV	-N	-S	-C	-RYCI	1.209 - 1.226	1113, 61W	117	0.365	3	86	Purple
DHSC-1227-EHV	-N	-S	-C	-RYCI	1.227 - 1.259	1192.5, 61W AAC	117	0.365	3	86	Red
DHSC-1260-EHV	-N	-S	-C	-RYCI	1.260 - 1.286	1113, 48/7	117	0.365	3	90	Blue
DHSC-1287-EHV	-N	-S	-C	-RYCI	1.287 - 1.314	1272, 61W	117	0.365	3	90	Green
DHSC-1315-EHV	-N	-S	-C	-RYCI	1.315 - 1.355	1272, 45/7	117	0.365	3	90	Yellow
DHSC-1356-EHV	-N	-S	-C	-RYCI	1.356 - 1.394	1272, 54/19	120	0.365	3	96	Black
DHSC-1395-EHV	-N	-S	-C	-RYCI	1.395 - 1.416	1351, 54/19 AWAC	120	0.365	3	100	White
DHSC-1417-EHV	-N	-S	-C	-RYCI	1.417 - 1.442	1510.5, 61W	120	0.365	3	100	Brown
DHSC-1443-EHV	-N	-S	-C	-RYCI	1.443 - 1.477	1431, 54/19	120	0.365	3	100	Orange



Prefix	Catalog Number				Conductor Range	Nominal Conductors	Length	Rod Dia.	Std. Pack	Wt. in lbs*	Color Code
	No Fitting	With Socket Eye	With Clevis Eye	With Rotated Y-Clevis Eye							
DHSC-1478-EHV	-N	-S	-C	-RYCI	1.478 - 1.516	1590, 45/7	120	0.365	3	100	Purple
DHSC-1517-EHV	-N	-S	-C	-RYCI	1.517 - 1.557	1590, 54/19	120	0.365	3	100	Red
DHSC-1558-EHV	-N	-S	-C	-RYCI	1.558 - 1.579	1780, 72/7	137	0.365	3	125	Blue
DHSC-1580-EHV	-N	-S	-C	-RYCI	1.580 - 1.612	1780, 84/19	137	0.365	3	125	Green
DHSC-1613-EHV	-N	-S	-C	-RYCI	1.613 - 1.650	2000, 91W	137	0.365	3	126	Yellow
DHSC-1651-EHV	-N	-S	-C	-RYCI	1.651 - 1.688	2000, 72/7	137	0.365	3	131	Black
DHSC-1689-EHV	-N	-S	-C	-RYCI	1.689 - 1.711	2000, 84/19	137	0.365	3	131	White
DHSC-1712-EHV	-N	-S	-C	-RYCI	1.712 - 1.752	2129, 84/19	137	0.365	3	131	Brown
DHSC-1753-EHV	-N	-S	-C	-RYCI	1.753 - 1.790	2156, 84/19	137	0.365	3	131	Orange
DHSC-1791-EHV	-N	-S	-C	-RYCI	1.791 - 1.828	2300, 84/19	137	0.365	3	131	Purple
DHSC-1829-EHV	-N	-S	-C	-RYCI	1.829 - 1.882	2515MCM, 76/19	100	0.365	3	85	Red

Right hand lay standard

*Weight is per each standard pack

Helical Suspension Clamps

Verticle Bundle Helical Suspension Clamp

For use on AAC, AAC, ACSR, Compacted ACSR, ACSS, and ACSS/ TW. For High Temperature conductor such as ACSS, ACCR, etc., add "-HT" as a suffix to the catalog number.

Designed for line angles up to 30°. Slip load is rated for 20% of conductor RBS.



230kV and Below

Catalog numbers can be found by selecting the catalog number prefix for the specifications you need in the table, then adding the suffix based on your desired options. For example, in the first row:

VBHSC-0543-N is a clamp that works with conductors 0.543 - 0.555 inches in diameter with no fitting. For a Clevis Eye the catalog number ordered would be VBHSC-0543-C.

Prefix	Catalog Number				Conductor Range	Nominal Conductors	Length	Rod Dia.	Color Code
	No Fitting	With Socket Eye	With Clevis Eye	With Rotated Y-Clevis Eye					
VBHSC-18-0543	-N	-S	-C	-RYCI	0.543 - 0.555	2/0, 3/4AWAC 3/4AWAC	44	0.182	Black
VBHSC-18-0556	-N	-S	-C	-RYCI	0.556 - 0.573	4/0, 1/0	44	0.182	White
VBHSC-18-0574	-N	-S	-C	-RYCI	0.574 - 0.594	266.8, 7-19W 7-19W AAC	45	0.182	Brown
VBHSC-18-0595	-N	-S	-C	-RYCI	0.595 - 0.606	266.8, 18/1AWAC	46	0.182	Orange
VBHSC-18-0607	-N	-S	-C	-RYCI	0.607 - 0.619	266.8, 18/1 18/1	46	0.182	Purple
VBHSC-18-0620	-N	-S	-C	-RYCI	0.620 - 0.645	266.8, 26/7 26/7	50	0.182	Red
VBHSC-18-0646	-N	-S	-C	-RYCI	0.646 - 0.673	336.4, 19-34W AAC	54	0.204	Blue
VBHSC-18-0674	-N	-S	-C	-RYCI	0.674 - 0.690	300, 26/7	54	0.204	Green
VBHSC-18-0691	-N	-S	-C	-RYCI	0.691 - 0.710	300, 30/7	54	0.204	Yellow
VBHSC-18-0711	-N	-S	-C	-RYCI	0.711 - 0.731	336.4, 26/7	55	0.204	Black
VBHSC-18-0732	-N	-S	-C	-RYCI	0.732 - 0.750	336.4, 30/7	56	0.204	White
VBHSC-18-0751	-N	-S	-C	-RYCI	0.751 - 0.768	397.5, 26/7 AWAC	60	0.25	Brown
VBHSC-18-0769	-N	-S	-C	-RYCI	0.769 - 0.795	397.5, 26/7	60	0.25	Orange
VBHSC-18-0796	-N	-S	-C	-RYCI	0.796 - 0.824	477, 18/1	61	0.25	Purple
VBHSC-18-0825	-N	-S	-C	-RYCI	0.825 - 0.845	477, 26/7 AWAC	64	0.25	Red
VBHSC-18-0846	-N	-S	-C	-RYCI	0.846 - 0.870	477, 26/7	64	0.25	Blue
VBHSC-18-0871	-N	-S	-C	-RYCI	0.871 - 0.893	600, 37W AAC	65	0.25	Green
VBHSC-18-0894	-N	-S	-C	-RYCI	0.894 - 0.907	500, 30/7	65	0.25	Green
VBHSC-18-0908	-N	-S	-C	-RYCI	0.908 - 0.920	556.5, 24/7	66	0.25	Yellow
VBHSC-18-0921	-N	-S	-C	-RYCI	0.921 - 0.937	556.5, 26/7	66	0.25	Black
VBHSC-18-0938	-N	-S	-C	-RYCI	0.938 - 0.962	605, 24/7	67	0.25	White
VBHSC-18-0963	-N	-S	-C	-RYCI	0.963 - 0.986	636, 24/7	68	0.25	Brown
VBHSC-18-0987	-N	-S	-C	-RYCI	0.987 - 1.005	636, 26/7	69	0.25	Orange



Prefix	Catalog Number				Conductor Range	Nominal Conductors	Length	Rod Dia.	Color Code
	No Fitting	With Socket Eye	With Clevis Eye	With Rotated Y-Clevis Eye					
VBHSC-18-1006	-N	-S	-C	-RYCI	1.006 - 1.022	636, 30/19	70	0.31	Purple
VBHSC-18-1023	-N	-S	-C	-RYCI	1.023 - 1.040	795, 37-61W AAC	78	0.31	Red
VBHSC-18-1041	-N	-S	-C	-RYCI	1.041 - 1.074	715.5, 26/7	78	0.31	Blue
VBHSC-18-1075	-N	-S	-C	-RYCI	1.075 - 1.090	874.5, 37W	78	0.31	Green
VBHSC-18-1091	-N	-S	-C	-RYCI	1.091 - 1.118	795, 26/7	78	0.31	Yellow
VBHSC-18-1119	-N	-S	-C	-RYCI	1.119 - 1.136	954, 37W AAC	78	0.31	Black
VBHSC-18-1137	-N	-S	-C	-RYCI	1.137 - 1.152	795, 30/19	78	0.31	White
VBHSC-18-1153	-N	-S	-C	-RYCI	1.153 - 1.175	954, 45/7	82	0.31	Brown
VBHSC-18-1176	-N	-S	-C	-RYCI	1.176 - 1.208	954, 54/7	82	0.31	Orange
VBHSC-18-1209	-N	-S	-C	-RYCI	1.209 - 1.226	1113, 61W	82	0.365	Purple
VBHSC-18-1227	-N	-S	-C	-RYCI	1.227 - 1.259	1192.5, 61W AAC	88	0.365	Red
VBHSC-18-1260	-N	-S	-C	-RYCI	1.260 - 1.286	1113, 48/7	88	0.365	Blue
VBHSC-18-1287	-N	-S	-C	-RYCI	1.287 - 1.314	1272, 61W	88	0.365	Green
VBHSC-18-1315	-N	-S	-C	-RYCI	1.315 - 1.355	1272, 45/7	88	0.365	Yellow
VBHSC-18-1356	-N	-S	-C	-RYCI	1.356 - 1.394	1272, 54/19	88	0.365	Black
VBHSC-18-1395	-N	-S	-C	-RYCI	1.395 - 1.416	1351, 54/19 AWAC	88	0.365	White
VBHSC-18-1417	-N	-S	-C	-RYCI	1.417 - 1.442	1510.5, 61W	88	0.365	Brown
VBHSC-18-1443	-N	-S	-C	-RYCI	1.443 - 1.477	1431, 54/19	88	0.365	Orange
VBHSC-18-1478	-N	-S	-C	-RYCI	1.478 - 1.516	1590, 45/7	88	0.365	Purple
VBHSC-18-1517	-N	-S	-C	-RYCI	1.517 - 1.557	1590, 54/19	88	0.365	Red
VBHSC-18-1558	-N	-S	-C	-RYCI	1.558 - 1.579	1780, 72/7	88	0.365	Blue
VBHSC-18-1580	-N	-S	-C	-RYCI	1.580 - 1.612	1780, 84/19	100	0.365	Green
VBHSC-18-1613	-N	-S	-C	-RYCI	1.613 - 1.650	2000, 91W	100	0.365	Yellow
VBHSC-18-1651	-N	-S	-C	-RYCI	1.651 - 1.688	2000, 72/7	100	0.365	Black
VBHSC-18-1689	-N	-S	-C	-RYCI	1.689 - 1.711	2000, 84/19	100	0.365	White
VBHSC-18-1712	-N	-S	-C	-RYCI	1.712 - 1.752	2129, 84/19	100	0.365	Brown
VBHSC-18-1753	-N	-S	-C	-RYCI	1.753 - 1.790	2156, 84/19	100	0.365	Orange
VBHSC-18-1791	-N	-S	-C	-RYCI	1.791 - 1.828	2300, 84/19	100	0.365	Purple
VBHSC-18-1829	-N	-S	-C	-RYCI	1.829 - 1.882	2515MCM, 76/19	100	0.365	Red

Right hand lay standard

Helical Suspension Clamps

Verticle Bundle Helical Suspension Clamp (EHV)

For use on ACSR, Compacted ACSR, ACSS, and ACSS/TW. For High Temperature conductor such as ACSS, ACCR, etc., add "-HT" as a suffix to the catalog number.



Designed for line angles up to 30°. Slip load is rated for 20% of conductor RBS.

345kV and Above

Catalog numbers can be found by selecting the catalog number prefix for the specifications you need in the table, then adding the suffix based on your desired options. For example, in the first row:

VBHSC-543EHVN is a clamp that works with conductors 0.908 - 0.920 inches in diameter with no fitting. For a Clevis Eye the catalog number ordered would be VBHSC-543EHVC.

Prefix	Catalog Number				Conductor Range (In.)	Nominal Conductors	Length	Rod Dia.	Color Code
	No Fitting	With Socket Eye	With Clevis Eye	With Rotated Y-Clevis Eye					
VBHSC180908EHV	N	S	C	RYCI	0.908 - 0.920	556.5, 24/7	66	0.25	Yellow
VBHSC180921EHV	N	S	C	RYCI	0.921 - 0.937	556.5, 26/7	66	0.25	Black
VBHSC180938EHV	N	S	C	RYCI	0.938 - 0.962	605, 24/7	67	0.25	White
VBHSC180963EHV	N	S	C	RYCI	0.963 - 0.986	636, 24/7	68	0.25	Brown
VBHSC180987EHV	N	S	C	RYCI	0.987 - 1.005	636, 26/7	69	0.25	Orange
VBHSC181006EHV	N	S	C	RYCI	1.006 - 1.022	636, 30/19	70	0.31	Purple
VBHSC181023EHV	N	S	C	RYCI	1.023 - 1.040	795, 37-61W AAC	78	0.31	Red
VBHSC181041EHV	N	S	C	RYCI	1.041 - 1.074	715.5, 26/7	78	0.31	Blue
VBHSC181075EHV	N	S	C	RYCI	1.075 - 1.090	874.5, 37W	78	0.31	Green
VBHSC181091EHV	N	S	C	RYCI	1.091 - 1.118	795, 26/7	78	0.31	Yellow
VBHSC181119EHV	N	S	C	RYCI	1.119 - 1.136	954, 37W AAC	78	0.31	Black
VBHSC181137EHV	N	S	C	RYCI	1.137 - 1.152	795, 30/19	78	0.31	White
VBHSC181153EHV	N	S	C	RYCI	1.153 - 1.175	954, 45/7	82	0.31	Brown
VBHSC181176EHV	N	S	C	RYCI	1.176 - 1.208	954, 54/7	82	0.31	Orange
VBHSC181209EHV	N	S	C	RYCI	1.209 - 1.226	1113, 61W	82	0.365	Purple
VBHSC181227EHV	N	S	C	RYCI	1.227 - 1.259	1192.5, 61W AAC	88	0.365	Red
VBHSC181260EHV	N	S	C	RYCI	1.260 - 1.286	1113, 48/7	88	0.365	Blue
VBHSC181287EHV	N	S	C	RYCI	1.287 - 1.314	1272, 61W	88	0.365	Green
VBHSC181315EHV	N	S	C	RYCI	1.315 - 1.355	1272, 45/7	88	0.365	Yellow
VBHSC181356EHV	N	S	C	RYCI	1.356 - 1.394	1272, 54/19	88	0.365	Black
VBHSC181395EHV	N	S	C	RYCI	1.395 - 1.416	1351, 54/19 AWAC	88	0.365	White
VBHSC181417EHV	N	S	C	RYCI	1.417 - 1.442	1510.5, 61W	88	0.365	Brown
VBHSC181443EHV	N	S	C	RYCI	1.443 - 1.477	1431, 54/19	88	0.365	Orange

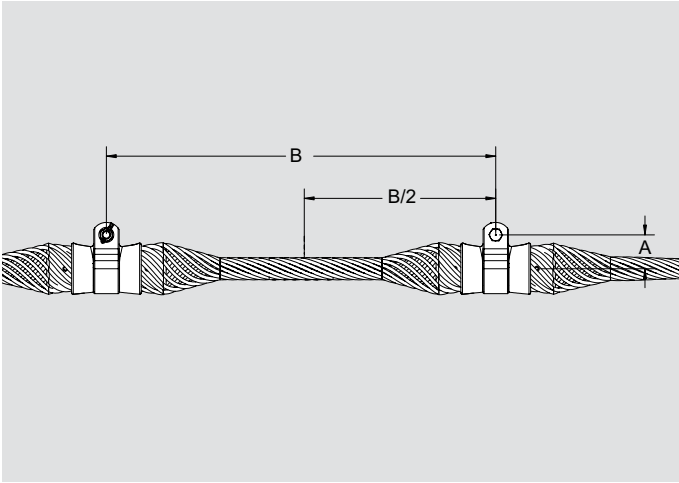


Prefix	Catalog Number				Conductor Range (In.)	Nominal Conductors	Length	Rod Dia.	Color Code
	No Fitting	With Socket Eye	With Clevis Eye	With Rotated Y-Clevis Eye					
VBHSC181478EHV	N	S	C	RYCI	1.478 - 1.516	1590, 45/7	88	0.365	Purple
VBHSC181517EHV	N	S	C	RYCI	1.517 - 1.557	1590, 54/19	88	0.365	Red
VBHSC181558EHV	N	S	C	RYCI	1.558 - 1.579	1780, 72/7	88	0.365	Blue
VBHSC181580EHV	N	S	C	RYCI	1.580 - 1.612	1780, 84/19	100	0.365	Green
VBHSC181613EHV	N	S	C	RYCI	1.613 - 1.650	2000, 91W	100	0.365	Yellow
VBHSC181651EHV	N	S	C	RYCI	1.651 - 1.688	2000, 72/7	100	0.365	Black
VBHSC181689EHV	N	S	C	RYCI	1.689 - 1.711	2000, 84/19	100	0.365	White
VBHSC181712EHV	N	S	C	RYCI	1.712 - 1.752	2129, 84/19	100	0.365	Brown
VBHSC181753EHV	N	S	C	RYCI	1.753 - 1.790	2156, 84/19	100	0.365	Orange
VBHSC181791EHV	N	S	C	RYCI	1.791 - 1.828	2300, 84/19	100	0.365	Purple
VBHSC181829EHV	N	S	C	RYCI	1.829 - 1.882	2515MCM, 76/19	100	0.365	Red

Right hand lay standard

Helical Suspension Clamps

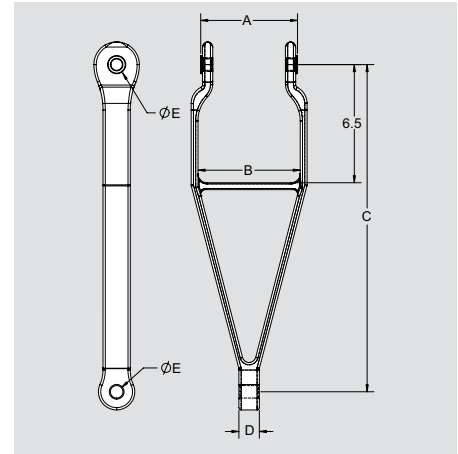
Double Helical Suspension Clamp Dimensions



Conductor Range	Dimensions		Vertical Strength in lbs
	A	B	
.543 - .619	1.94	12	20,000
.620 - .645	1.94	18	20,000
.646 - .750	2.16	18	30,000
.751 - .907	2.34	18	40,000
.908 - 1.005	2.53	22	40,000
1.006 - 1.208	2.7	26	50,000
1.209 - 1.355	3.16	29	50,000
1.356 - 1.557	2.97	32	50,000
1.558 - 1.882	3.19	37	50,000

Vertical Bundling Link for HSC

Includes flanged bushing to permit clamping pressure on the helical suspension clamp body without restricting longitudinal movement of the yoke. Ductile iron yokes are supplied with a stainless steel pin to break the magnetic field and reduce hysteresis current loss. Ultimate strength is limited by the loading at the lower clamp. The bolt used is galvanized steel with aluminum yokes, stainless steel with ductile iron yoke.



Catalog Number	Dimensions In Inches						Ultimate Strength in lbs	Material
	Conductor Range	A	B	C	D	E		
S-339-1AL	0.751 - 0.907	4.56	3.75	9	0.75	0.69	12,500	Alum.
S-339-2AL	0.646 - 0.750	4.13	3.31	12	0.63	0.69	12,500	Alum.
S-339-3AL	1.006 - 1.208	5.38	5.13	12	1.06	0.69	15,000	Alum.
S-339-4AL	0.908 - 1.005	4.75	4.06	18	0.75	0.69	12,500	Alum.
S-339-5AL	0.908 - 1.005	4.75	4.06	12	0.75	0.69	15,000	Alum.
S-339-6AL	1.006 - 1.208	5.38	5.13	9	1.06	0.69	15,000	Alum.
S-339-7AL	1.209 - 1.335	5.50	5.63	12	1.13	0.81	15,000	Alum.
S-339-8AL	0.543 - 0.645	4.03	3.13	18	0.63	0.69	12,500	Alum.
S-339-9AL	1.209 - 1.355	5.50	5.63	18	1.13	0.81	20,000	Alum.
S-339-10AL	1.006 - 1.208	5.38	5.13	18	1.06	0.69	15,000	Alum.
5-339-11AL	1.209 - 1.355	5.50	5.63	18	1.13	0.69	12,500	Alum.
S-339-12AL	1.356 - 1.557	6.00	5.88	18	1.25	0.81	20,000	Alum.
S-339-13FE-SS	1.356 - 1.557	6.00	5.88	12	1.25	0.81	25,000	Ductile Iron

Cast Iron Hold Down Weight Shackles

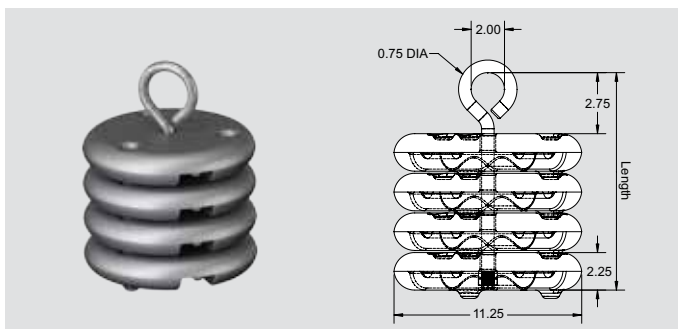


Materials

Shackle: Iron, Galvanized
 Bolt, Lock Washer, Nut: Steel, Galvanized
 Cotter Pins: Stainless Steel

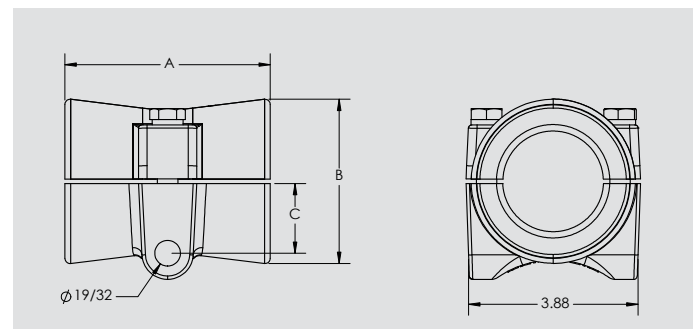
Catalog Number	Cond. Range	Dimensions						Bolt Dia. (in)
		A	B	C	D	E	F	
18889	0.304 - 0.500	0.50	3.63	1.63	4.00	1.50	4.00	0.63
18882	0.482 - 0.750	0.50	4.38	2.38	4.88	1.88	4.75	0.63
18883	0.751 - 0.907	0.50	4.75	2.75	5.38	2.38	5.13	0.63
18884	0.908 - 1.005	0.50	5.13	3.13	5.50	2.50	5.50	0.63
18885	1.006 - 1.208	0.63	6.00	3.75	6.50	2.75	6.38	0.63
18886	1.209 - 1.355	0.63	6.00	3.75	6.25	3.00	6.38	0.75
18887	1.356 - 1.557	0.63	6.50	4.25	6.50	3.00	6.88	0.75
188810	1.356 - 1.557	0.63	6.50	4.25	6.50	3.00	6.88	0.63
18888	1.558 - 1.828	0.63	7.13	4.88	7.25	3.25	7.50	0.75

Cast Iron Hold Down Weights for Suspensions



Catalog Number	Length	Assembly Weight	No. of Weights Per Assembly
C-6887-50	5.00	50	1 - 50 Lb.
C-6887-100	7.38	100	2 - 50 Lb.
C-6887-150	9.75	150	3 - 50 Lb.
C-6887-200	12.13	200	4 - 50 Lb.
C-6887-250	14.50	250	5 - 50 Lb.
C-6887-300	16.88	300	6 - 50 Lb.
C-6887-350	19.25	350	7 - 50 Lb.
C-6887-400	21.63	400	8 - 50 Lb.
C-6887-450	24.00	450	9 - 50 Lb.
C-6887-500	26.38	500	10 - 50 Lb.
C-6887-550	28.75	550	11 - 50 Lb.
C-6887-600	31.13	600	12 - 50 Lb.
C-6887-650	33.50	650	13 - 50 Lb.
C-6887-700	35.88	700	14 - 50 Lb.
C-6887-750	38.25	750	15 - 50 Lb.
C-6887-800	40.63	800	16 - 50 Lb.

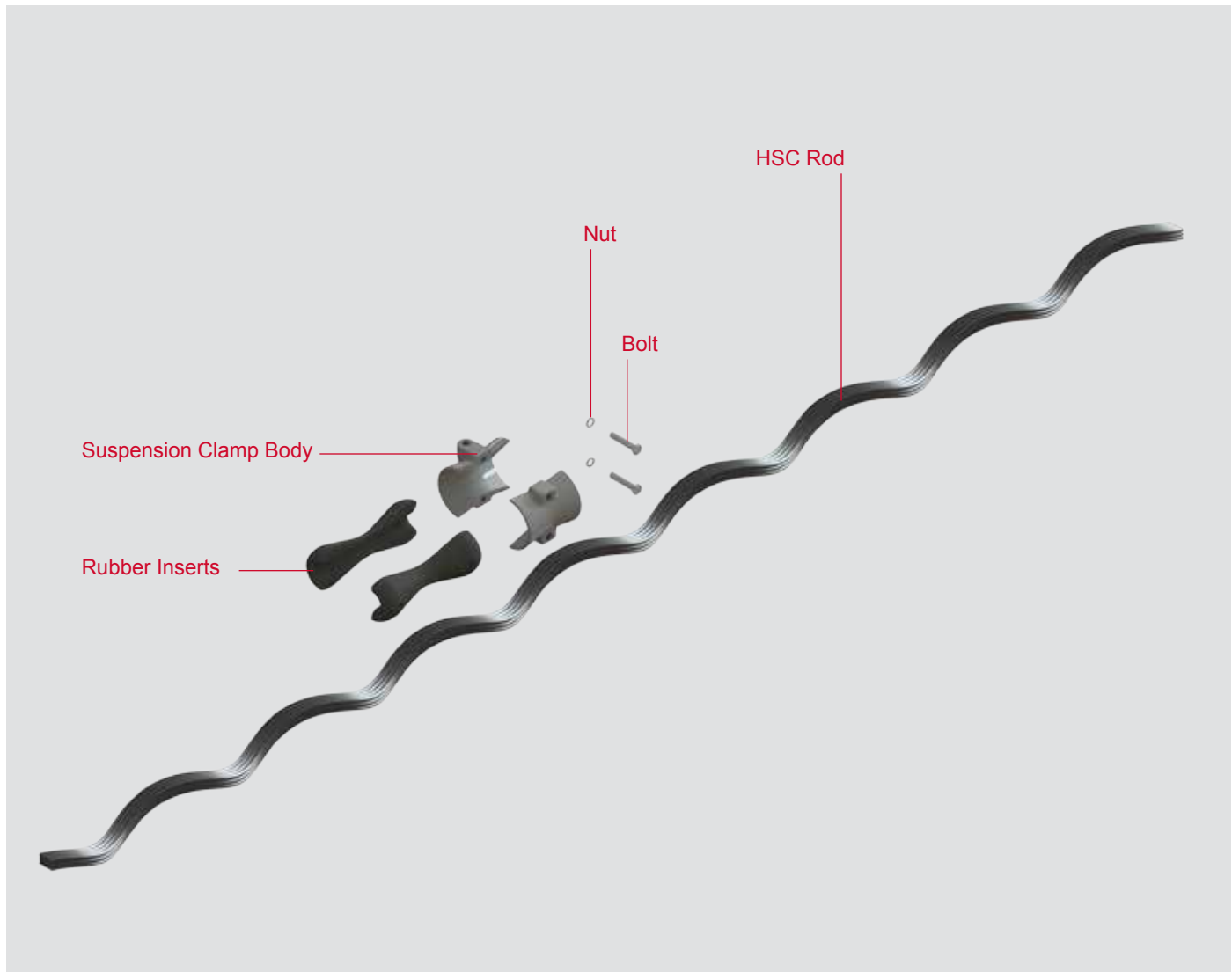
Dimensions for HPSC Body



Conductor Range	A	B	C
.543-.645	3.13	2.53	0.41
.646-.750	3.75	2.75	0.63
.751-.907	4.50	3.20	0.75
.908-1.005	5.00	3.59	1.13
1.006-1.208	5.50	4.19	1.32
1.209-1.355	6.00	4.63	1.50
1.356-1.557	6.50	5.11	1.63
1.558-1.828	7.00	5.41	1.94

Trunnion Mount Helical Suspension Clamps

Components



Purpose

Trunnion Mount Helical Suspension Clamps provide additional protection over traditional clamped suspensions. The trunnion mount HSC rods combined with the rubber insert, provide exceptional protection from conductor strand breakage.

Materials

Rubber Insert - EPDM Rubber
Suspension Clamp Body- Aluminum Alloy
Bolt and nut - Galvanized Steel
HSC rod - Aluminum Alloy



Trunnion Helical Suspension Clamps

Single Trunnion Helical Suspension Clamp

The Helical Suspension Clamp Trunnion is designed to withstand 5,000 lbs pulloff load appealing in any direction.

Designed for line angles up to 30°. Slip load is rated for 20% of conductor RBS.



Catalog Number	Conductor Range	Nominal Conductors	Length	Rod Dia	Std. Pack	Weight in lbs*	Color Code
HPSC-0543	0.543 - 0.555	2/0, 3/4AWAC	34	0.182	18	53	Black
HPSC-0556	0.556 - 0.573	4/0, 1/0	34	0.182	18	55	White
HPSC-0574	0.574 - 0.594	266.8, 7-19W 7-19W AAC	34	0.182	18	56	Brown
HPSC-0595	0.595 - 0.606	266.8, 18/1AWAC	34	0.182	18	53	Orange
HPSC-0607	0.607 - 0.619	266.8, 18/1 18/1	34	0.182	18	56	Purple
HPSC-0620	0.620 - 0.645	266.8, 26/7 26/7	38	0.182	18	61	Red
HPSC-0646	0.646 - 0.673	336.4, 19-34W AAC	41	0.204	15	60	Blue
HPSC-0674	0.674 - 0.690	300, 26/7	41	0.204	15	61	Green
HPSC-0691	0.691 - 0.710	300, 30/7	41	0.204	15	64	Yellow
HPSC-0711	0.711 - 0.731	336.4, 26/7	41	0.204	15	65	Black
HPSC-0732	0.732 - 0.750	336.4, 30/7	41	0.204	15	66	White
HPSC-0751	0.751 - 0.768	397.5, 26/7 AWAC	45	0.250	12	68	Brown
HPSC-0769	0.769 - 0.795	397.5, 26/7	45	0.250	12	68	Orange
HPSC-0796	0.796 - 0.824	477, 18/1	45	0.250	12	73	Purple
HPSC-0825	0.825 - 0.845	477, 26/7 AWAC	48	0.250	12	76	Red
HPSC-0846	0.846 - 0.870	477, 26/7	48	0.250	12	76	Blue
HPSC-0871	0.871 - 0.893	600, 37W AAC	48	0.250	12	81	Green
HPSC-0894	0.894 - 0.907	500, 30/7	48	0.250	12	82	Green
HPSC-0908	0.908 - 0.920	556.5, 24/7	53	0.250	9	81	Yellow
HPSC-0921	0.921 - 0.937	556.5, 26/7	53	0.250	9	81	Black
HPSC-0938	0.938 - 0.962	605, 24/7	53	0.250	9	81	White
HPSC-0963	0.963 - 0.986	636, 24/7	53	0.250	9	87	Brown
HPSC-0987	0.987 - 1.005	636, 26/7	53	0.250	9	87	Orange
HPSC-1006	1.006 - 1.022	636, 30/19	62	0.310	6	73	Purple
HPSC-1023	1.023 - 1.040	795, 37-61W AAC	62	0.310	6	75	Red
HPSC-1041	1.041 - 1.074	715.5, 26/7	62	0.310	6	75	Blue

*Weight is per each standard pack

HPSC is rated 5000 lbs. radially

Rated for 30 degree line angles



Catalog Number	Conductor Range	Nominal Conductors	Length	Rod Dia	Std. Pack	Weight in lbs*	Color Code
HPSC-1075	1.075 - 1.090	874.5, 37W	63	0.310	6	78	Green
HPSC-1091	1.091 - 1.118	795, 26/7	64	0.310	6	78	Yellow
HPSC-1119	1.119 - 1.136	954, 37W AAC	65	0.310	6	78	Black
HPSC-1137	1.137 - 1.152	795, 30/19	66	0.310	6	78	White
HPSC-1153	1.153 - 1.175	954, 45/7	67	0.310	6	79	Brown
HPSC-1176	1.176 - 1.208	954, 54/7	68	0.310	6	79	Orange
HPSC-1209	1.209 - 1.226	1113, 61W	69	0.365	3	55	Purple
HPSC-1227	1.227 - 1.259	1192.5, 61W AAC	70	0.365	3	55	Red
HPSC-1260	1.260 - 1.286	1113, 48/7	71	0.365	3	58	Blue
HPSC-1287	1.287 - 1.314	1272, 61W	72	0.365	3	58	Green
HPSC-1315	1.315 - 1.355	1272, 45/7	73	0.365	3	58	Yellow
HPSC-1356	1.356 - 1.394	1272, 54/19	74	0.365	3	60	Black
HPSC-1395	1.395 - 1.416	1351, 54/19 AWAC	75	0.365	3	61	White
HPSC-1417	1.417 - 1.442	1510.5, 61W	76	0.365	3	62	Brown
HPSC-1443	1.443 - 1.477	1431, 54/19	77	0.365	3	64	Orange
HPSC-1478	1.478 - 1.516	1590, 45/7	78	0.365	3	64	Purple
HPSC-1517	1.517 - 1.557	1590, 54/19	79	0.365	3	64	Red
HPSC-1558	1.558 - 1.579	1780, 72/7	80	0.365	3	66	Blue
HPSC-1580	1.580 - 1.612	1780, 84/19	81	0.365	3	78	Green
HPSC-1613	1.613 - 1.650	2000, 91W	82	0.365	3	79	Yellow
HPSC-1651	1.651 - 1.688	2000, 72/7	83	0.365	3	83	Black
HPSC-1689	1.689 - 1.711	2000, 84/19	84	0.365	3	83	White
HPSC-1712	1.712 - 1.752	2129, 84/19	85	0.365	3	83	Brown
HPSC-1753	1.753 - 1.790	2156, 84/19	86	0.365	3	83	Orange
HPSC-1791	1.791 - 1.828	2300, 84/19	87	0.365	3	83	Purple

*Weight is per each standard pack

HPSC is rated 5000 lbs. radially

Rated for 30 degree line angles

Trunnion Helical Suspension Clamps

Static Wire Helical Suspension Clamp

For use on Galvanized or Aluminum clad steel strand. See separate tables for each on these two pages.

Designed for line angles up to 30°. Slip load is rated for 20% of conductor RBS.



For Galvanized Steel Strand

Prefix	Catalog Number				Conductor Range	Nominal Conductors	Length	Rod Dia.	Std. Pack	Weight in lbs*	Color Code
	No Fitting	With Socket Eye	With Clevis Eye	With Rotated Y-Clevis Eye							
SHSC-0272	-N	-S	-C	-RYCI	0.272 - 0.283	9/32",7W	26	0.119	24	63	Blue
SHSC-0284	-N	-S	-C	-RYCI	0.284 - 0.294	-	26	0.119	24	63	Red
SHSC-0295	-N	-S	-C	-RYCI	0.295 - 0.303	-	26	0.119	24	63	Brown
SHSC-0304	-N	-S	-C	-RYCI	0.304 - 0.315	5/16",7W EHS	26	0.119	24	63	Black
SHSC-0316	-N	-S	-C	-RYCI	0.316 - 0.327	5/16",7W Utility	26	0.119	24	63	Green
SHSC-0328	-N	-S	-C	-RYCI	0.328 - 0.342	-	26	0.119	24	66	Purple
SHSC-0343	-N	-S	-C	-RYCI	0.343 - 0.355	-	26	0.119	24	66	Brown
SHSC-0356	-N	-S	-C	-RYCI	0.356 - 0.374	3/8",7W EHS	26	0.119	24	66	Orange
SHSC-0375	-N	-S	-C	-RYCI	0.375 - 0.389	-	26	0.119	24	66	Blue
SHSC-0390	-N	-S	-C	-RYCI	0.390 - 0.404	-	36	0.138	24	88	Red
SHSC-0405	-N	-S	-C	-RYCI	0.405 - 0.418	-	36	0.138	24	88	Brown
SHSC-0419	-N	-S	-C	-RYCI	0.419 - 0.434	-	36	0.138	24	92	Black
SHSC-0435	-N	-S	-C	-RYCI	0.435 - 0.450	7/16",7W EHS	36	0.138	24	92	Green
SHSC-0451	-N	-S	-C	-RYCI	0.451 - 0.470	-	36	0.138	24	94	Purple
SHSC-0471	-N	-S	-C	-RYCI	0.471 - 0.481	-	36	0.138	24	94	Brown
SHSC-0482	-N	-S	-C	-RYCI	0.482 - 0.500	1/2",7W-19W	45	0.138	24	103	Blue

*Weight is per each standard pack



For Aluminum Clad Steel Strand

Prefix	Catalog Number				Conductor Range	Nominal Conductors	Length	Rod Dia.	Std. Pack	Weight in lbs*	Color Code
	No Fitting	With Socket Eye	With Clevis Eye	With Rotated Y-Clevis Eye							
ACHSC-0272	-N	-S	-C	-RYCI	0.272 - 0.283	3#8, 8M	26	0.114	24	57	Blue
ACHSC-0284	-N	-S	-C	-RYCI	0.284 - 0.294	-	26	0.114	24	57	Red
ACHSC-0295	-N	-S	-C	-RYCI	0.295 - 0.303	-	26	0.114	24	57	Black
ACHSC-0304	-N	-S	-C	-RYCI	0.304 - 0.315	3#7, 7#10,10M	26	0.114	24	57	Brown
ACHSC-0316	-N	-S	-C	-RYCI	0.316 - 0.327	5/16",3W, 7W	26	0.114	24	59	Purple
ACHSC-0328	-N	-S	-C	-RYCI	0.328 - 0.342	-	26	0.114	24	60	Green
ACHSC-0343	-N	-S	-C	-RYCI	0.343 - 0.355	3#6, 7#9,12.5M	26	0.114	24	60	Black
ACHSC-0356	-N	-S	-C	-RYCI	0.356 - 0.374	14M,3/8"	26	0.114	24	60	Brown
ACHSC-0375	-N	-S	-C	-RYCI	0.375 - 0.389	7#8,16M	26	0.114	24	62	Red
ACHSC-0390	-N	-S	-C	-RYCI	0.390 - 0.404	3#5	36	0.144	24	84	Blue
ACHSC-0405	-N	-S	-C	-RYCI	0.405 - 0.418	18M	36	0.144	24	84	Orange
ACHSC-0419	-N	-S	-C	-RYCI	0.419 - 0.434	7#7	36	0.144	24	84	Brown
ACHSC-0435	-N	-S	-C	-RYCI	0.435 - 0.450	20M	36	0.144	24	84	Purple
ACHSC-0451	-N	-S	-C	-RYCI	0.451 - 0.470	-	36	0.144	24	89	Green
ACHSC-0471	-N	-S	-C	-RYCI	0.471 - 0.481	-	36	0.144	24	89	Black
ACHSC-0482	-N	-S	-C	-RYCI	0.482 - 0.500	7#6	45	0.144	24	95	Blue

*Weight is per each standard pack

Trunnion Helical Suspension Clamps

Static Wire Double Helical Suspension Clamp

For use on Galvanized or Aluminum clad steel strand. See separate tables for each on these two pages.

Designed for line angles up to 30°. Slip load is rated for 20% of conductor RBS.



For Galvanized Steel Strand

Prefix	Catalog Number				Conductor Range	Nominal Conductors	Length	Rod Dia.	Std. Pack	Weight in lbs*	Color Code
	No Fitting	With Socket Eye	With Clevis Eye	With Rotated Y-Clevis Eye							
DSHSC-0272	-N	-S	-C	-RYCI	0.272 - 0.283	9/32",7W	38	0.119	24	113	Blue
DSHSC-0284	-N	-S	-C	-RYCI	0.284 - 0.294	-	38	0.119	24	113	Red
DSHSC-0295	-N	-S	-C	-RYCI	0.295 - 0.303	-	38	0.119	24	113	Brown
DSHSC-0304	-N	-S	-C	-RYCI	0.304 - 0.315	5/16",7W EHS	38	0.119	24	113	Black
DSHSC-0316	-N	-S	-C	-RYCI	0.316 - 0.327	5/16",7W Utility	38	0.119	24	113	Green
DSHSC-0328	-N	-S	-C	-RYCI	0.328 - 0.342	-	38	0.119	24	118	Purple
DSHSC-0343	-N	-S	-C	-RYCI	0.343 - 0.355	-	38	0.119	24	118	Brown
DSHSC-0356	-N	-S	-C	-RYCI	0.356 - 0.374	3/8",7W EHS	38	0.119	24	119	Orange
DSHSC-0375	-N	-S	-C	-RYCI	0.375 - 0.389	-	38	0.119	24	119	Blue
DSHSC-0390	-N	-S	-C	-RYCI	0.390 - 0.404	-	48	0.138	24	148	Red
DSHSC-0405	-N	-S	-C	-RYCI	0.405 - 0.418	-	48	0.138	24	148	Brown
DSHSC-0419	-N	-S	-C	-RYCI	0.419 - 0.434	-	48	0.138	24	154	Black
DSHSC-0435	-N	-S	-C	-RYCI	0.435 - 0.450	7/16",7W EHS	48	0.138	24	154	Green
DSHSC-0451	-N	-S	-C	-RYCI	0.451 - 0.470	-	48	0.138	24	156	Purple
DSHSC-0471	-N	-S	-C	-RYCI	0.471 - 0.481	-	48	0.138	24	156	Brown
DSHSC-0482	-N	-S	-C	-RYCI	0.482 - 0.500	1/2",7W-19W	57	0.138	24	160	Blue

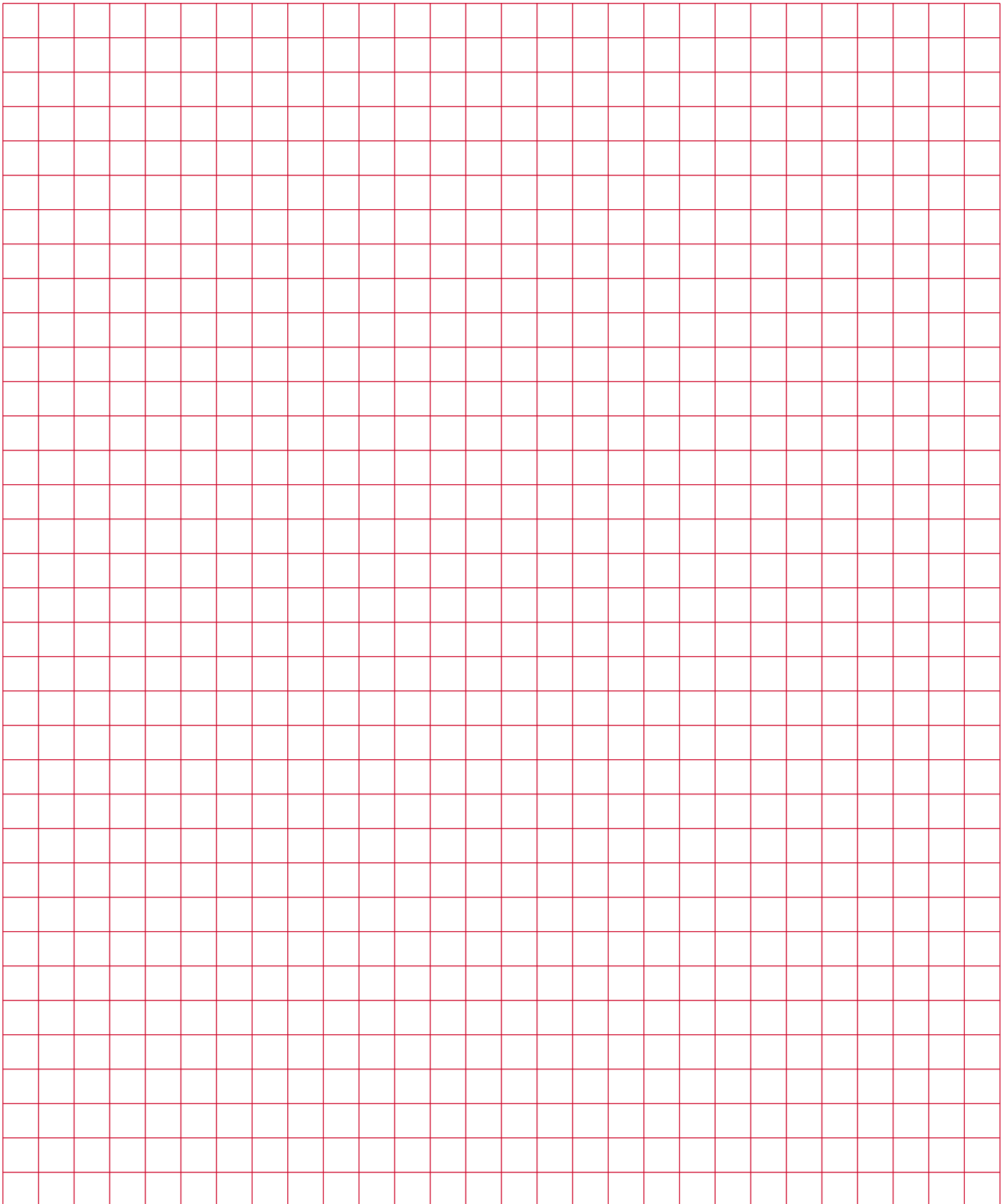
*Weight is per each standard pack

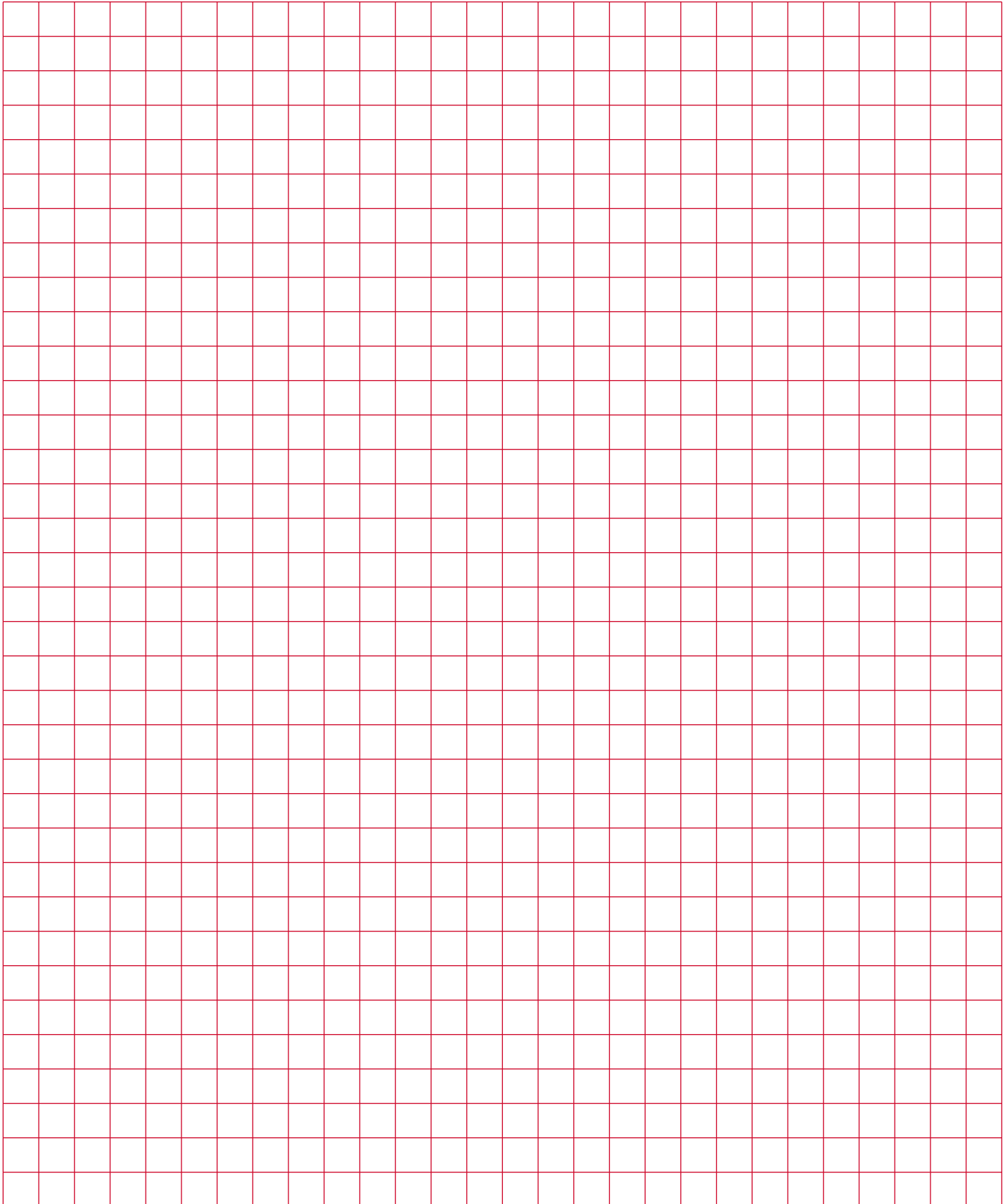


For Aluminum Clad Steel Strand

Prefix	Catalog Number				Conductor Range	Nominal Conductors	Length	Rod Dia.	Std. Pack	Weight in lbs*	Color Code
	No Fitting	With Socket Eye	With Clevis Eye	With Rotated Y-Clevis Eye							
DACHSC-0272	-N	-S	-C	-RYCI	0.272 - 0.283	3#8, 8M	38	0.114	24	106	Blue
DACHSC-0284	-N	-S	-C	-RYCI	0.284 - 0.294	-	38	0.114	24	106	Red
DACHSC-0295	-N	-S	-C	-RYCI	0.295 - 0.303	-	38	0.114	24	106	Black
DACHSC-0304	-N	-S	-C	-RYCI	0.304 - 0.315	3#7, 7#10,10M	38	0.114	24	106	Brown
DACHSC-0316	-N	-S	-C	-RYCI	0.316 - 0.327	5/16",3W, 7W	38	0.114	24	108	Purple
DACHSC-0328	-N	-S	-C	-RYCI	0.328 - 0.342	-	38	0.114	24	110	Green
DACHSC-0343	-N	-S	-C	-RYCI	0.343 - 0.355	3#6, 7#9,12.5M	38	0.114	24	110	Black
DACHSC-0356	-N	-S	-C	-RYCI	0.356 - 0.374	14M,3/8"	38	0.114	24	111	Brown
DACHSC-0375	-N	-S	-C	-RYCI	0.375 - 0.389	7#8,16M	38	0.114	24	113	Red
DACHSC-0390	-N	-S	-C	-RYCI	0.390 - 0.404	3#5	48	0.144	24	142	Blue
DACHSC-0405	-N	-S	-C	-RYCI	0.405 - 0.418	18M	48	0.144	24	142	Orange
DACHSC-0419	-N	-S	-C	-RYCI	0.419 - 0.434	7#7	48	0.144	24	142	Brown
DACHSC-0435	-N	-S	-C	-RYCI	0.435 - 0.450	20M	48	0.144	24	142	Purple
DACHSC-0451	-N	-S	-C	-RYCI	0.451 - 0.470	-	48	0.144	24	150	Green
DACHSC-0471	-N	-S	-C	-RYCI	0.471 - 0.481	-	48	0.144	24	150	Black
DACHSC-0482	-N	-S	-C	-RYCI	0.482 - 0.500	7#6	57	0.144	24	149	Blue

*Weight is per each standard pack





Other Quality MacLean Products

Anchoring Systems

Surge Arresters

Conductor Hardware

Connectors

Cutouts

Fiberglass Products

Grounding and Tools

Insulator Systems

Pole Line Hardware

Formed Wire

Aluminum Mounts

Telecommunications Hardware

MacLean Power Systems
481 Munn Road, Suite 300
Fort Mill, SC 29715 USA
fax 803.396.8601
maclepower.com

Customer Service 1.800.MPS.SHIP
info@maclepower.com