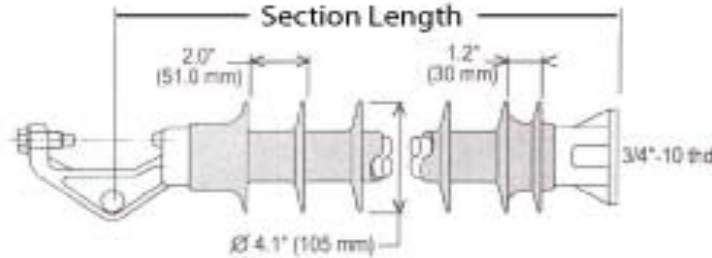




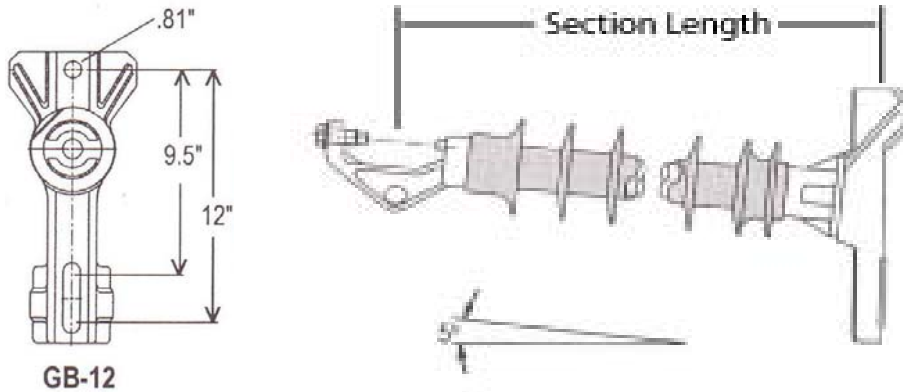
Distribution Line Post - Series 10 Horizontal

10XB Series Line Post Insulators (1.5" Rod)



Horizontal Trunnion Insulators - Stud Mounting Type

Line Voltage kV	Catalog No.	MDCL lbs [kN]	Section Length in [mm]	Dry Arc in [mm]	Leakage in [mm]	Electrical Flashover (kV)				Weight lbs [kgs]	Standard	
						60 Hz		CIFO			Box Qty	Pallet Qty
						Dry	Wet	Pos	Neg			
15	NPKN10XB003S0	1235 [5.5]	10.9 [277]	7.2 [183]	11.3 [287]	86	66	146	193	6.2 [2.8]	3	162
28	NPKN10XB005S0	1235 [5.5]	14.9 [378]	11.2 [284]	18.8 [478]	122	103	208	271	7.1 [3.2]	3	108
35	NPKN10XB006S0	1235 [5.5]	16.9 [429]	13.2 [335]	22.4 [569]	141	122	239	309	7.6 [3.4]	3	108
35	NPKN20XGO09S0	1250 [5.6]	18.0 [457]	14.3 [362]	30.6 [777]	151	131	255	329	10.3 [4.7]	3	108



Horizontal Trunnion Insulators - With Gain Base: for pole mounted line posts

Line Voltage kV	Catalog No.	MDCL lbs [kN]	Section Length in [mm]	Dry Arc in [mm]	Leakage in [mm]	Weight lbs [kgs]	Standard
							Crate Qty
15	NPKG10XB003S0	1235 [5.5]	12.4 [315]	7.2 [183]	11.3 [287]	13.2 [6.0]	42
28	NPKG10XB005S0	1235 [5.5]	16.4 [417]	11.2 [284]	18.8 [478]	14.1 [6.4]	42
35	NPKG10XB006S0	1235 [5.5]	18.4 [467]	13.2 [335]	22.4 [569]	14.6 [6.6]	42
35	NPKG20XGO09S0	1250 [5.6]	19.4 [493]	14.3 [362]	30.6 [777]	17.33 [7.8]	42

Notes:

- 1) MDCL = Max. Design Cantilever Load
- 2) To order 1.5" Line Post Insulators, contact your local MPS Sales Representative.
- 3) STL (Specified Tensile Load) - 5,000 lbs [22.2 kN]
- 4) NPKN10XB Series supplied with 3/4" - 10 Stud Base
- 5) NPKG10XB Series supplied with 12" Fixed Gain Base
- 6) S0 = Electrical data is without Corona Ring
- 7) For other ratings or custom insulator designs, contact your local MPS Sales Representative