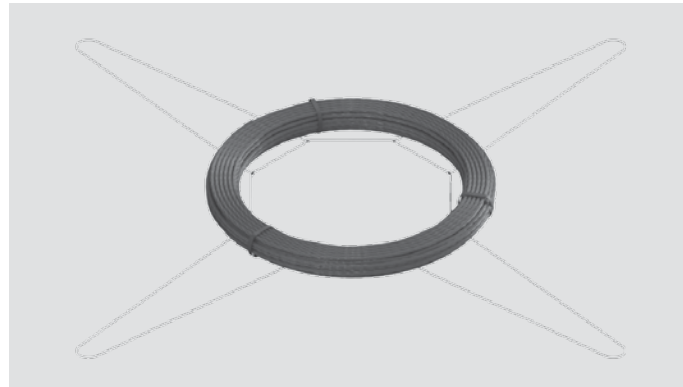




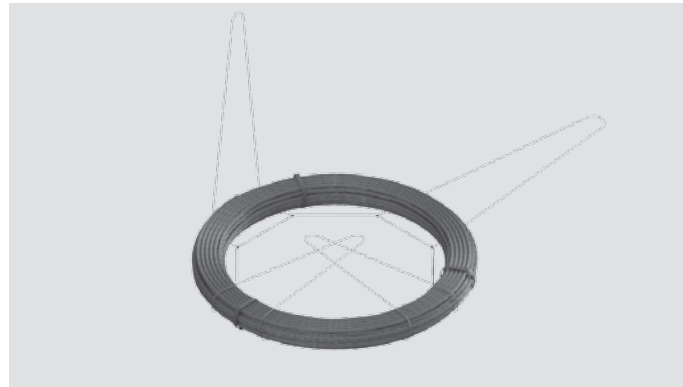
Step 1

Unfold the legs of the dispenser on flat section of ground. Place the coil (banded) over the center of the dispenser.



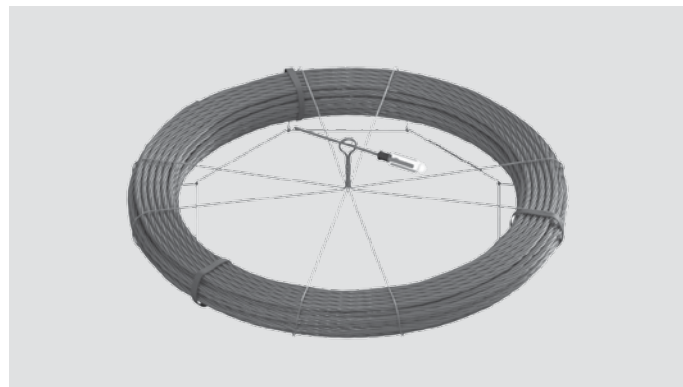
Step 2

Fold the legs of the dispenser over the coil. The legs should overlap each other by two inches.



Step 3

Insert a screwdriver through the overlap of all four legs. Twist the leg ends around into a knot such that the legs cannot come loose. The bands on the coil can be cut and removed.



Step 4

Turn the dispenser over and pull the coil from the center opening.



DISCLAIMERS

- Be certain to completely read and understand these instructions before applying the product.
- These instructions do not replace any company construction, safety, or work procedures.

MacLean Power Systems
481 Munn Road, Suite 300
Fort Mill, SC 29715 USA
fax 803.396.8601
macleanpower.com

Customer Service 1.800.MPS.SHIP
info@macleanpower.com



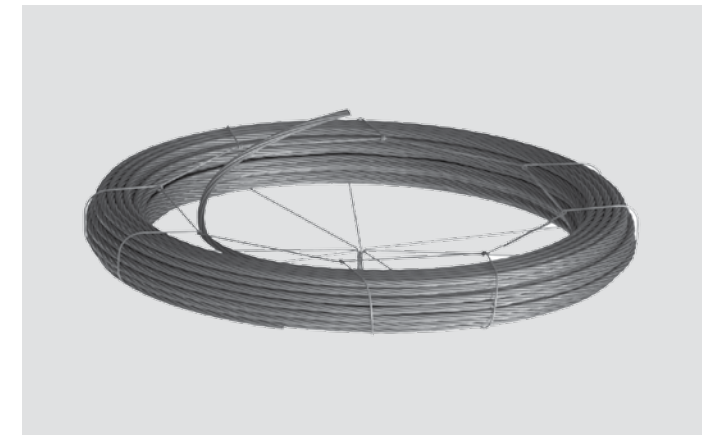
© Copyright 2014 MacLean Power Systems
Revised 05.14.14 LIGWDD.05.14



Used to contain and dispense coils of guy wire

Features

- Economical solution for a common application
- Easy to use
- Accommodates hundreds of feet of guy wire
- Also compatible with conductor, wire rope, and cable
- Lightweight product, made with high strength steel wire and thoroughly tested

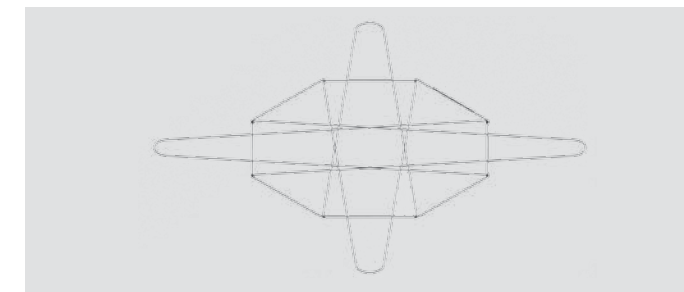


Coil Sizes	Units per Carton	Wire Size	Leg Length	Catalog Number
600' of 3/8"	50	14 gauge	24"	MGWD700
500' of 7/16"				
250' of 1/2"				

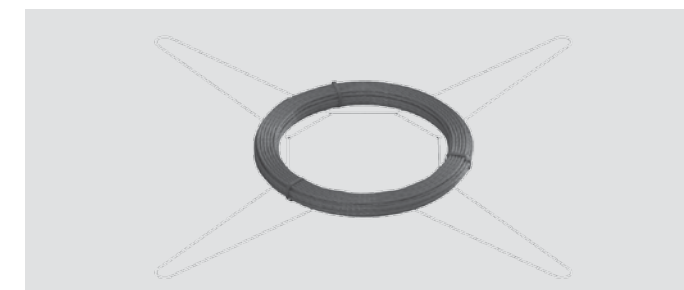
Delivered Folded

Guy Wire Dispenser is shown below as received, with legs folded. It is recommended to keep the dispensers in their carton until needed for use.

Delivered in Folded Configuration



Open Just Before Use



Drop Testing

The MacLean Guy Wire Dispenser was drop tested using 500 feet of 7/16" galvanized steel guy wire (total weight of 200 pounds). The dispenser survived the fall onto concrete, intact, from a height of 15 feet. Consult MacLean Power test report M-523 for further testing details. The photo below depicts one of the actual drop tests of the dispenser.

