



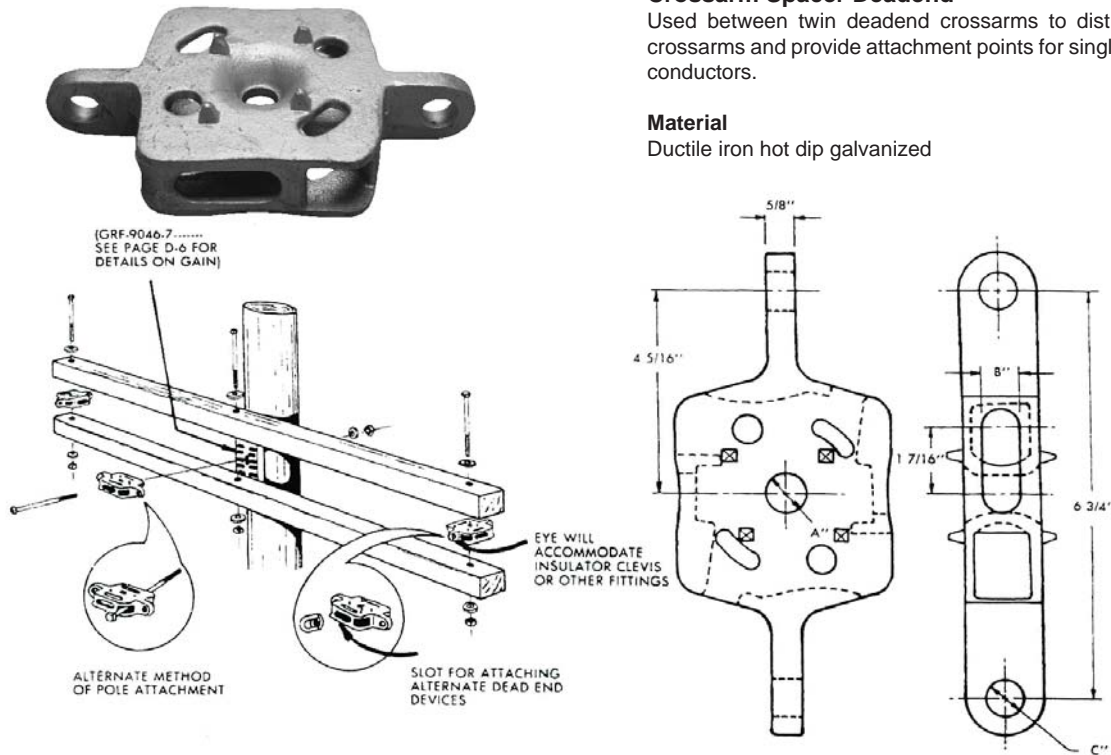
Plates

Crossarm Spacer Deadend

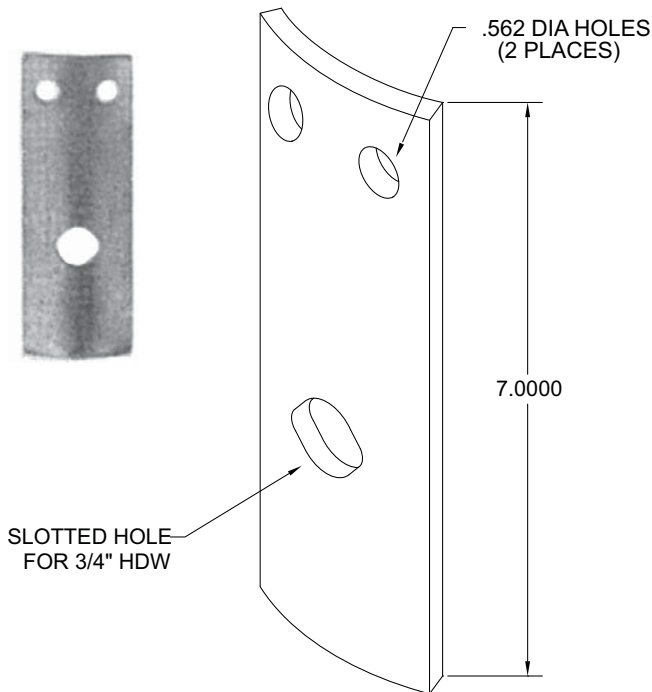
Used between twin deadend crossarms to distribute the load to both crossarms and provide attachment points for single or double deadending conductors.

Material

Ductile iron hot dip galvanized



Catalog Number	Crossarm Range	Hole Dia. A	Hole Dia. B	Eye Hole C	Weight/100 (lbs)
TAS-55-5	3 1/4 x 4 1/4 to 4 x 5	11/16	11/16	11/16	300



Lift, for Thimbleye Bolts

Recommended for use behind the eyes of angle thimbleye bolts with lag screws to increase load capacity either where loads are excessive or guys are steep.

Features

- Distributes the load over a greater surface area protecting the wood pole against shear damage
- Measures 2 1/2 " x 7" curved on a 3" radius
- Plates has 7/8" x 1" oval holes
- Screw holes are 9/16" diameter for 1/2" lags

Material

Steel hot dip galvanized

Catalog Number	Thickness (in)	Bolt Dia	No of Holes	Weight/100 (lbs)
J7890	1/4	3/4	3	126