



Braces

Double Span, Steel

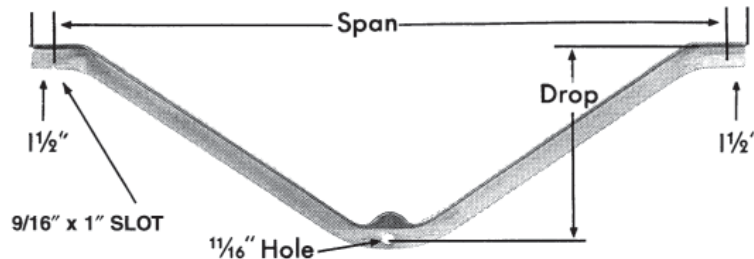
One piece, angle steel, double span braces are used to support heavy crossarm construction.

Features

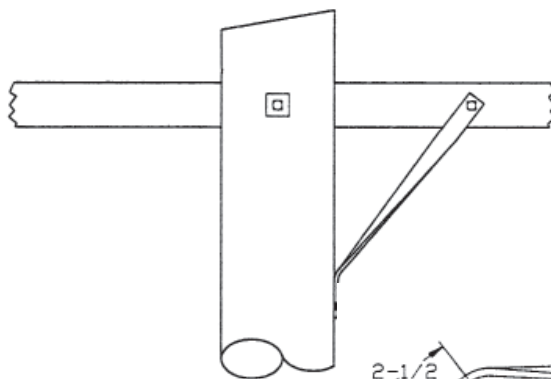
- Mounts to underside of crossarm with 1/2" bolts or lag screws
- Fastened to pole with 5/8" bolt
- Pole mounting section designed to allow ample clearance for wrenching

Material

Steel hot dip galvanized



| Catalog Number | Angle Size | Span (in) | Drop (in) | Weight /100 (lbs) |
|----------------|----------------------|-----------|-----------|-------------------|
| J1506 | 1 1/2 x 1 1/2 x 3/16 | 42 | 12 | 800 |
| J1514 | 1 1/2 x 1 1/2 x 3/16 | 48 | 18 | 1000 |
| J1508 | 1 1/2 x 1 1/2 x 3/16 | 60 | 18 | 1100 |
| J1510 | 1 3/4 x 1 3/4 x 3/16 | 60 | 18 | 1340 |
| J1512 | 1 3/4 x 1 3/4 x 3/16 | 72 | 22 | 1500 |



Guard Arm

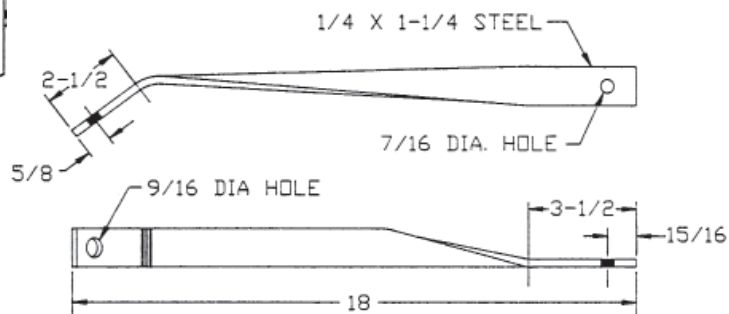
The MPS guard arm brace is used for light duty support and stability of crossarms in telecommunications construction.

Features

- Mounts to crossarm with a 3/8" bolt
- Fastens to pole with a 1/2" lag screw

Material

Steel hot dip galvanized



| Catalog Number | Weight /100 (lbs) |
|----------------|-------------------|
| J8240 | 170 |