



Brackets

Insulator and Equipment

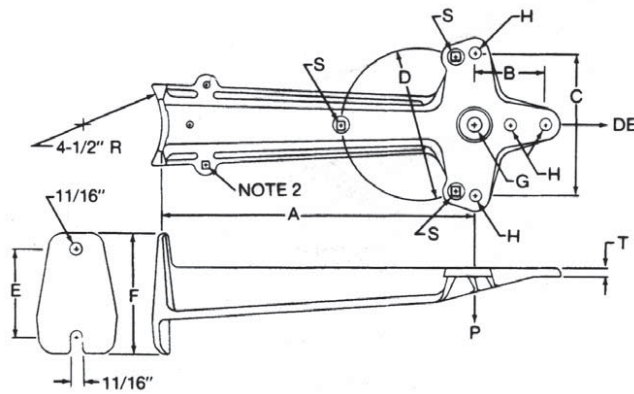
"VIB", "IAC" and "IACB" series insulator and equipment brackets provide flexibility for mounting a variety of equipment vertically onto the pole.

Features

- For mounting arresters, cutouts, line post insulators, insulator pins, cable terminations, and flood lights

Material

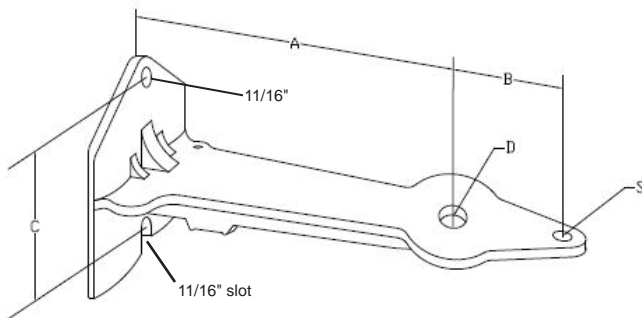
VIB series: Aluminum alloy
 IAC and IACB series: Ductile iron hot dip galvanized



Catalog Number	A	B	C	D	E	F	G	H	S	T	Ultimate Strength (P)	Ultimate Strength (DE)	Weight /100 (lbs)
VIB3-12	12	4	8	8 3/4	5	6 3/4	13/16	11/16	17/32	1/2	2500	10000	470
VIB3-18	18	4	8	8 3/4	5	6 3/4	13/16	11/16	17/32	1/2	2500	10000	580

Notes:

- 1) To specify two 1/2" captive bolts in outer two holes, add suffix "-B"
- 2) To specify grounding device, add suffix "-GC"



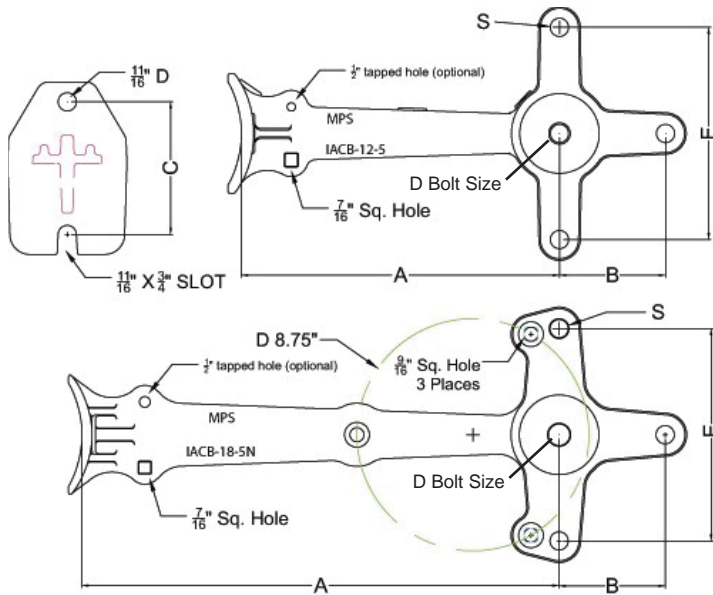
Catalog Number	A	B	C	D	S	Pole Mounting Bolts	Weight /100 (lbs)
IAC-7-5	7	2 5/8	5	13/16	11/16	5/8	450
IAC-12-5	12	3 5/16	5	13/16	11/16	5/8	1060
IAC-18-5	18	4	5	13/16	11/16	5/8	1330

Notes:

For 1/2" captive bolt for cutout mounting, add suffix "-B"



Brackets



Insulator and Equipment

“VIB”, “IAC” and “IACB” series insulator and equipment brackets provide flexibility for mounting a variety of equipment vertically onto the pole.

Features

- For mounting arresters, cutouts, line post insulators, insulator pins, cable terminations, and flood lights

Material

VIB series: Aluminum alloy
IAC and IACB series: Ductile iron hot dip galvanized



Catalog Number	A	B	C	D	E	S	Weight /100 (lbs)
IACB-12-5	12	4	5	5/8 - 3/4	8	11/16	800
IACB-18-5N	18	4	5	5/8 - 3/4	8	11/16	1100

Notes:
For 1/2" captive bolt for cutout mounting, add suffix "-B"



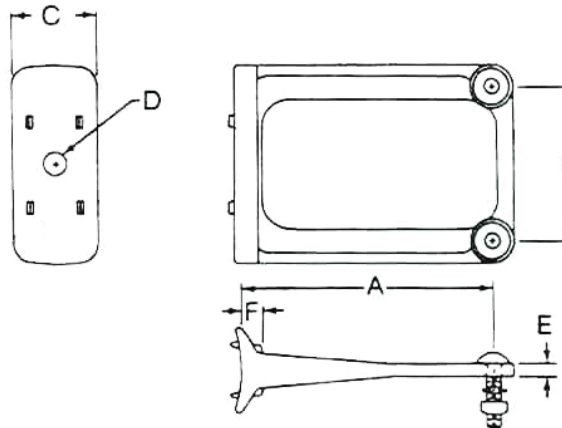
Insulator and Equipment

Features

- Bracket is easily mounted on utility pole with single 5/8" diameter through bolt
- Cleats on base of bracket anchor it securely to pole
- Supplied with (2) 3/8" x 1' 3/4" carriage bolts, hex nuts and lock washers

Material

Aluminum alloy



Catalog Number	A	B	C	D	E	F	Weight /100 (lbs)
CAB-8	7 1/2	4 1/2	2 1/2	11/16	11/32	1/2	110