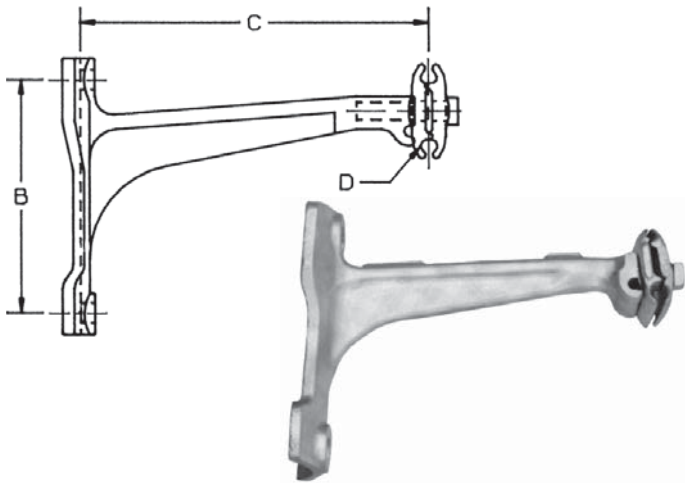




Brackets



Messenger Extension

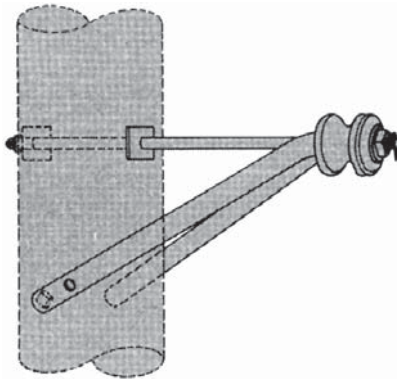
Features

- Provides a 12" clearance from the pole and is fastened with two 5/8" mounting bolts
- Clamp plates are reversible to accept a wide range of messenger brackets

Material

Ductile iron hot dip galvanized

Catalog Number	B	C	D	Weight /100 (lbs)
SCB-12-5	8	12	1/4 - 5/8	1129



Neutral Extension

The neutral extension bracket is designed for new construction and accommodates pole diameters of 6-11".

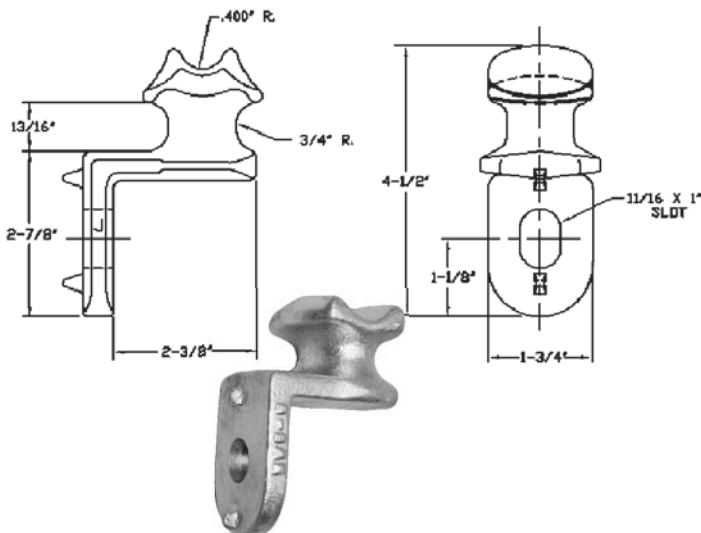
Features

- Pole end consists of 5/8" bolt, welded washer, square nut, and lock nut
- Spool end consists of flat steel brace, two round washers, square nut and self-locking cotter key
- Provides 11 3/4" extension from pole
- Spool insulators and lag screws ordered separately

Material

Steel hot dip galvanized

Catalog Number	Weight /100 (lbs)
J2352	800



Neutral Wire

The NWB5 is a non-insulating malleable iron bracket for pole mounting of neutral wire.

Features

- Accommodates wire up to and including .666" diameter (336 .4 AAC)
- Includes spikes in mounting surface that embed into wood to resist movement
- Accommodates 5/8" mounting bolt

Material

Ductile Iron hot dip galvanized

Catalog Number	Weight /100 (lbs)
NWB5	155