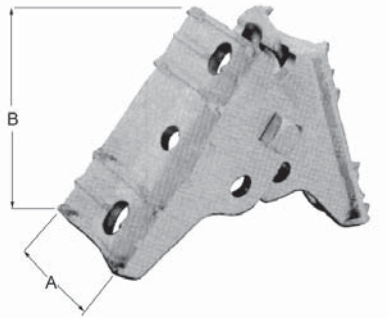
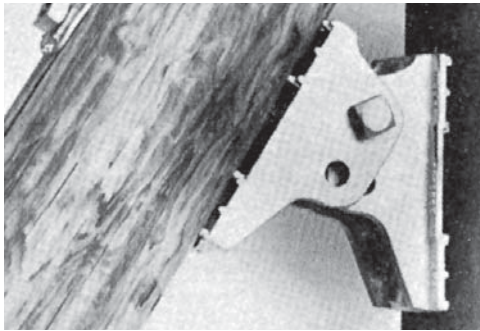




Brackets



Pole Brace Connector Bracket

Pole brace connector brackets will permit an attachment angle from 0° to 90° with the pole.

Features

- The pole contacting surface is curved with integral teeth for maximum stability and distribution of the load
- USA- series has one center pole mounting hole in each bracket section
- PAX- series has three mounting holes in each bracket section for flexibility of normal or heavy duty bracing applications
- PAX- series center pole mounting hole is used for normal loads, the two outer holes are used for heavy loads
- Distance from center hole to slot is 3"

Material

Ductile iron hot dip galvanized

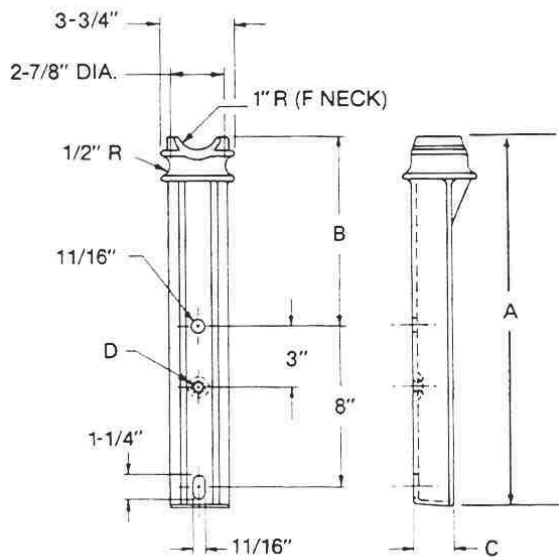
| Catalog Number | Pole Range | A | B | Hinge Bolt Dia. | Mounting Bolt Dia. | Weight /100 (lbs) |
|----------------|------------|-------|-------|-----------------|--------------------|-------------------|
| USA-5634-5 | 4.5 - 7" | 3 1/2 | 5 3/4 | 5/8 | 5/8 | 575 |
| USA-5634-6 | 4.5 - 7" | 3 1/2 | 5 3/4 | 5/8 | 3/4 | 575 |
| PAX138 | 6 - 11" | 4 | 8 | 3/4 | 3/4 | 1300 |

Pole Top

Material

Ductile iron hot dip galvanized

| Catalog Number | A | B | C | D | Weight /100 (lbs) |
|----------------|---------|---------|-------|------------|-------------------|
| PTB-18 | 18 1/2 | 8 13/16 | 1 1/2 | 1/2 tapped | 340 |
| PTB-24 | 24 9/16 | 14 7/8 | 1 3/4 | 11/16 | 550 |





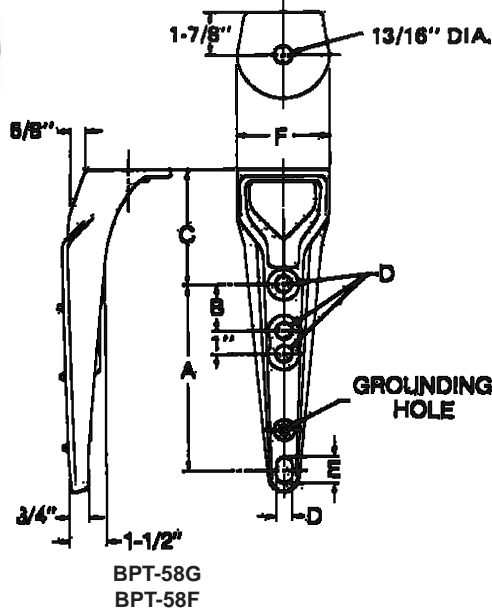
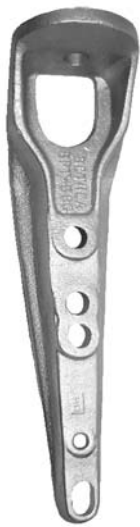
Brackets

Pole Top

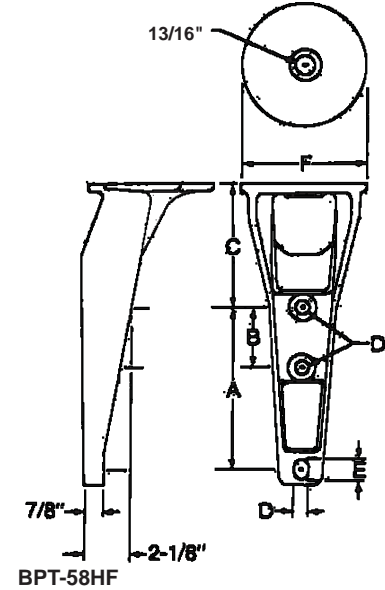
Material

BTP-88: Aluminum alloy

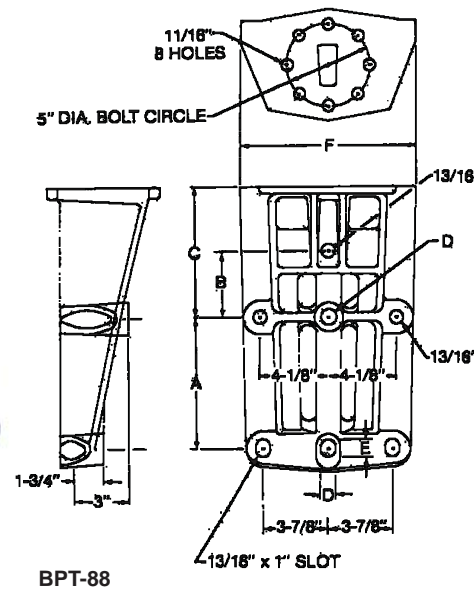
BPT-58F / BPT-58G / BPT-58HF: Ductile iron hot dip galvanized



BPT-58G
BPT-58F



BPT-58HF



BPT-88

| Catalog Number | kV Rating | A | B | C | D | E | F | In-lbs Rating | Material | Weight /100 (lbs) |
|----------------|-----------|---|---|---|-------|--------|----|---------------|---------------------------|-------------------|
| BPT-58F | 35 | 8 | 2 | 5 | 11/16 | 1 1/8 | 4 | 29400 | Ductile iron hot dip galv | 583 |
| BPT-58G | 35 | 8 | 2 | 6 | 11/16 | 1 1/8 | 4 | 36750 | Ductile iron hot dip galv | 680 |
| BPT-58HF | 69/88 | 8 | 3 | 6 | 11/16 | 1 | 6 | 54600 | Ductile iron hot dip galv | 1150 |
| BPT-88 | 115 | 8 | 4 | 8 | 15/16 | 1 1/16 | 11 | 134400 | Aluminum | 1700 |



Brackets

Pole Top

Pole top brackets are used to mount line post insulators and provide increased distance in separation of the middle phase.

Material

Ductile iron hot dip galvanized

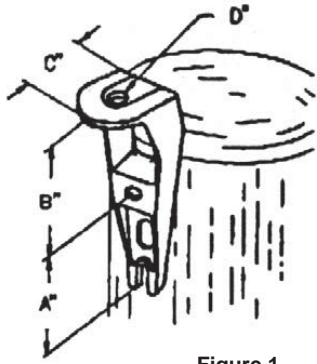


Figure 1

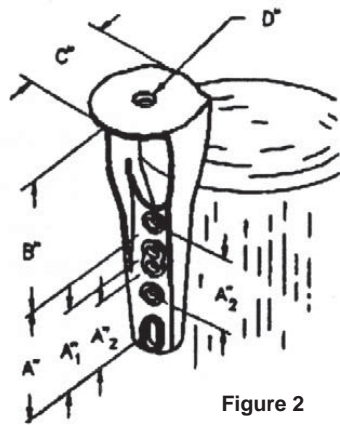


Figure 2

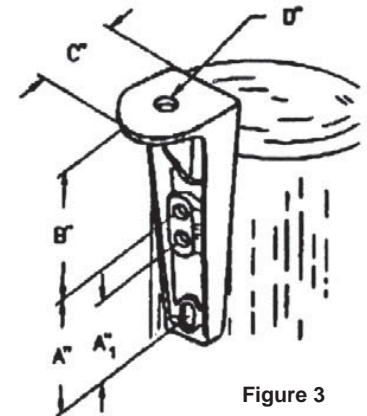
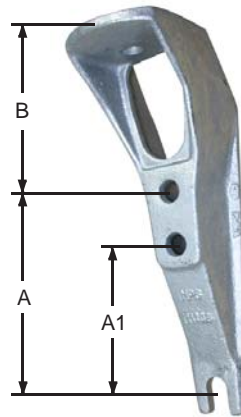


Figure 3

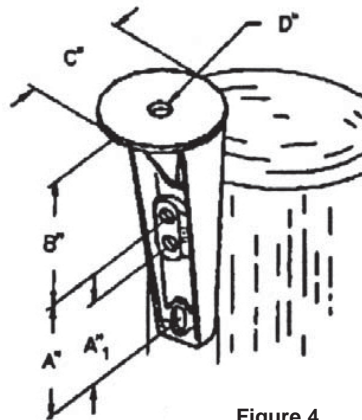
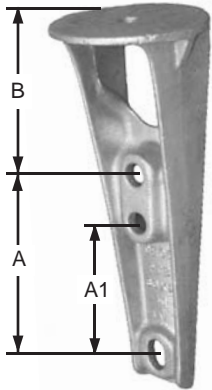
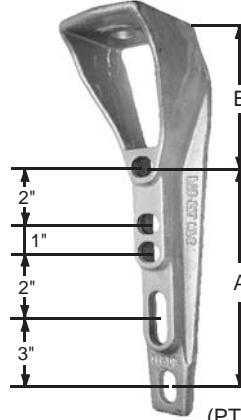


Figure 4



PTB-5L (PTB55-8 no center holes)

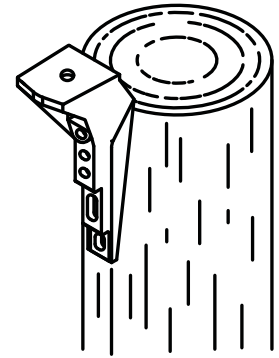
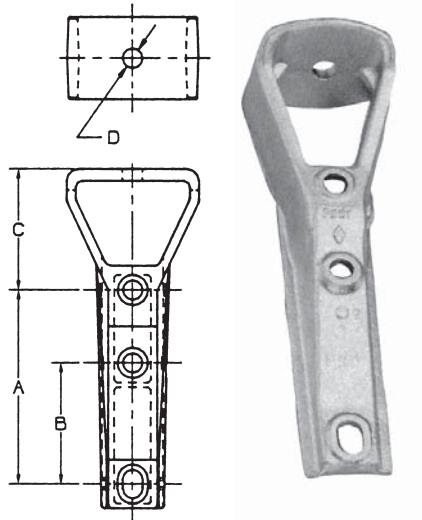


Figure 5

| Catalog Number | Fig | Max Voltage Class | A | B | C | D | Mounting Bolt Diameter | A1 | A2 | Weight /100 (lbs) |
|----------------|-----|-------------------|---|-------|-------|---------------------|------------------------|----|----|-------------------|
| PTB-55L | 5 | 35 | 8 | 6 | 3 3/4 | 5/8 - 3/4 Stud Bolt | 5/8 | | | 530 |
| PTB-55-8 | 5 | 35 | 8 | 6 | 3 3/4 | 5/8 - 3/4 Stud Bolt | 5/8 | | | 525 |
| PTB-55W | 1 | 35 | 5 | 5 | 3 5/8 | 5/8 - 3/4 Stud Bolt | 5/8 | | | 450 |
| PTB-66 | 2 | 55 | 8 | 6 3/8 | 3 3/4 | 5/8 - 3/4 Stud Bolt | 5/8 | 6 | 5 | 860 |
| PTB-66H | 3 | 69 | 8 | 6 | 4 1/2 | 5/8 - 3/4 Stud Bolt | 5/8 - 3/4 | 6 | | 1100 |
| PTB-66XH | 3 | 69 | 8 | 6 | 6 | 5/8 - 3/4 Stud Bolt | 5/8 - 3/4 | 6 | | 1200 |
| PTB-66XHA | 4 | 88 | 8 | 6 | 6 | 3/4 - 7/8 Stud Bolt | 5/8 - 3/4 | 6 | | 1200 |



Brackets



P532

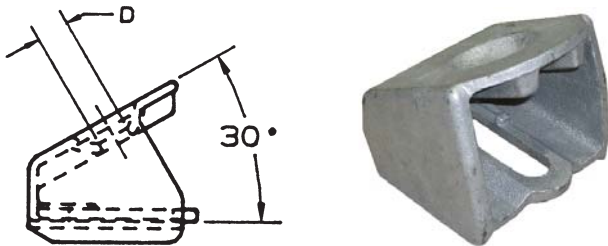
Pole Top

Pole top brackets are used to mount line post insulators and provide increased distance in separation of the middle phase.

Material

Ductile iron hot dip galvanized

| Catalog Number | kV Rating | A | B | C | D | Mounting Bolt Diameter | Weight /100 (lbs) |
|----------------|-----------|---|---|---|-----------|------------------------|-------------------|
| P532 | 69 | 8 | 5 | 5 | 5/8 - 3/4 | 5/8 - 3/4 | 700 |



P533

Pole Top

The P533 bracket provides a sturdy base with a 30° angle top surface for mounting 5/8" or 3/4" short shank insulator pins or short line post studs. The bottom of the bracket is designed to sit on crossarms or pole top insulator brackets up to 3 3/4" surface width and is fastened with a 3/4" diameter bolt.

Material

Ductile iron hot dip galvanized

| Catalog Number | D | Mounting Bolt Diameter | Weight /100 (lbs) |
|----------------|-------|------------------------|-------------------|
| P533 | 13/16 | 3/4 | 500 |