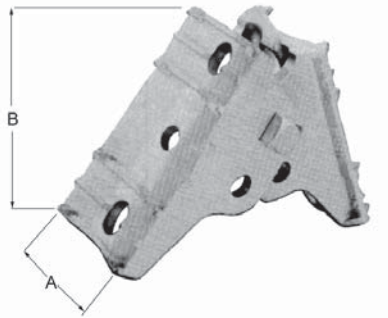
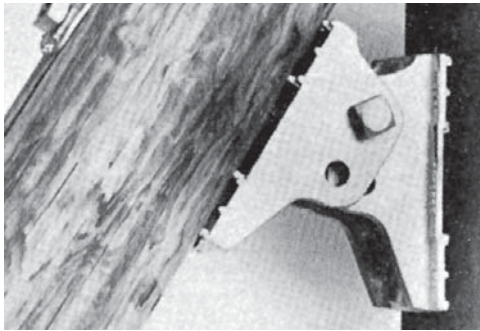




Brackets



Pole Brace Connector Bracket

Pole brace connector brackets will permit an attachment angle from 0° to 90° with the pole.

Features

- The pole contacting surface is curved with integral teeth for maximum stability and distribution of the load
- USA- series has one center pole mounting hole in each bracket section
- PAX- series has three mounting holes in each bracket section for flexibility of normal or heavy duty bracing applications
- PAX- series center pole mounting hole is used for normal loads, the two outer holes are used for heavy loads
- Distance from center hole to slot is 3"

Material

Ductile iron hot dip galvanized

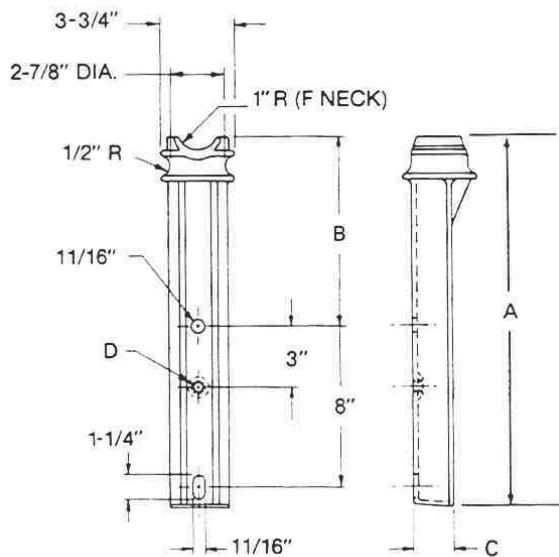
Catalog Number	Pole Range	A	B	Hinge Bolt Dia.	Mounting Bolt Dia.	Weight /100 (lbs)
USA-5634-5	4.5 - 7"	3 1/2	5 3/4	5/8	5/8	575
USA-5634-6	4.5 - 7"	3 1/2	5 3/4	5/8	3/4	575
PAX138	6 - 11"	4	8	3/4	3/4	1300

Pole Top

Material

Ductile iron hot dip galvanized

Catalog Number	A	B	C	D	Weight /100 (lbs)
PTB-18	18 1/2	8 13/16	1 1/2	1/2 tapped	340
PTB-24	24 9/16	14 7/8	1 3/4	11/16	550



3-3/4"
 2-7/8" DIA.
 1" R (F NECK)
 1/2" R
 11/16"
 D
 3"
 8"
 1-1/4"
 11/16"