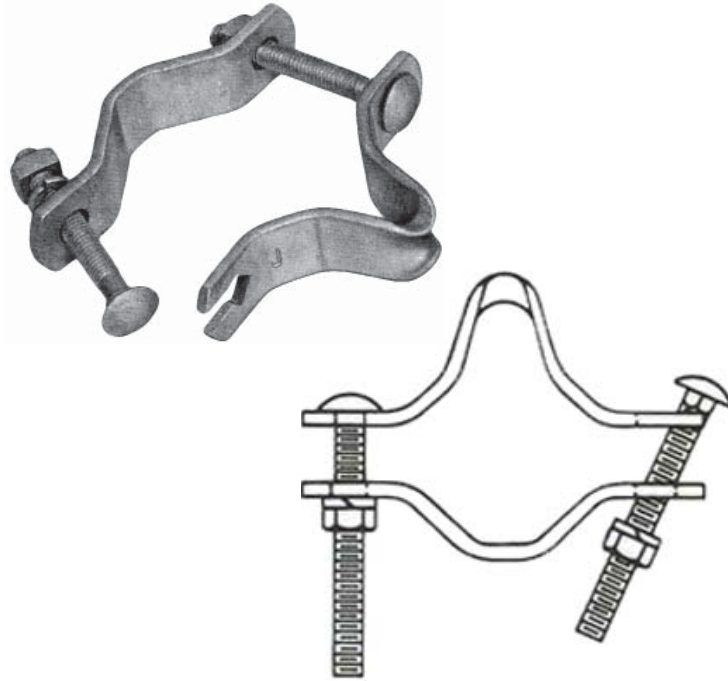




Brackets



Service Mast

Service Mast brackets are used with service wedge clamps to attach the neutral wire of a drop cable to the service mast. The bracket is attached to pipe service masts to provide a secure attachment point for service drop wires. The center of the front strap is formed in a generous radius to prevent damaging the bail of service wedge clamps.

The brackets incorporate a specially designed slot on one end of the front strap to permit installation of the bracket without removing the bolt. The special slot feature captures the carriage bolt shoulder to prevent it from turning or slipping out after installation.

Material

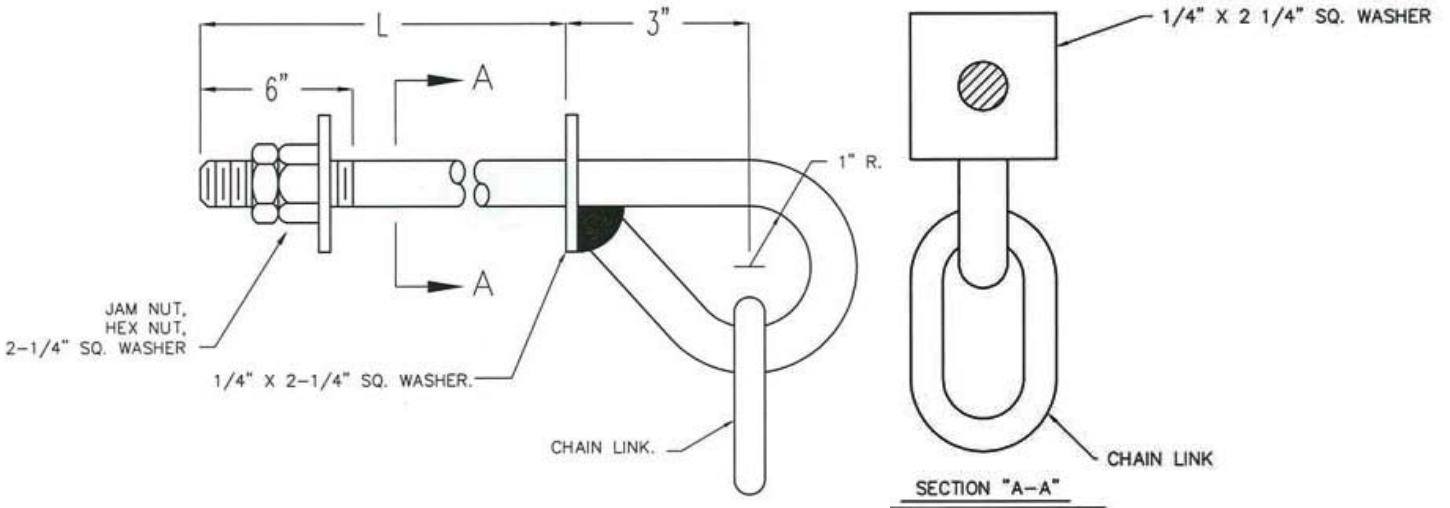
Steel hot dip galvanized

Catalog Number	Pipe Diameter Range (in)	Weight /100 (lbs)
J0590	1 1/4 - 3	105
SMB40	2 - 4	150

Shield Wire Support

Material

Steel hot dip galvanized



Catalog Number	A	L	Weight/100 (lbs)
SF-SWS-12-5	5/8	12	300
SF-SWS-12-6	3/4	12	500
SF-SWS-14-5	5/8	14	500
SF-SWS-14-6	3/4	14	500

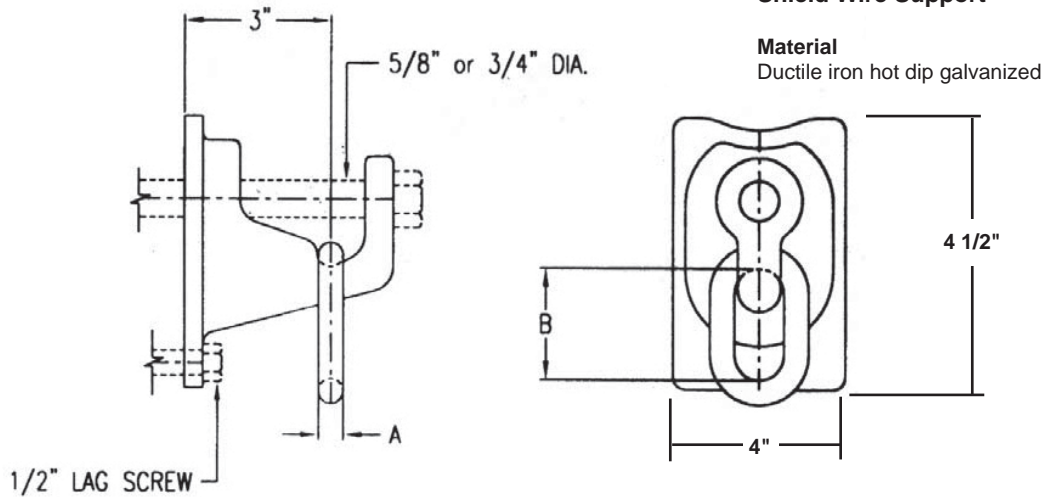
Notes:

"-5" suffix has 1/2" diameter link
 "-6" suffix has 5/8" diameter link



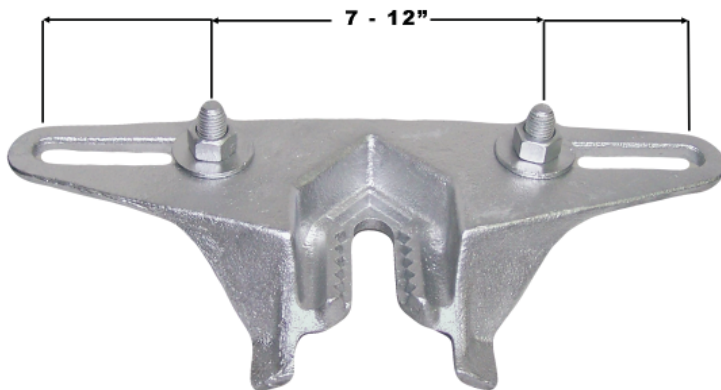
Brackets

Shield Wire Support



Material
Ductile iron hot dip galvanized

Catalog Number	A	B	Minimum Ultimate Strength	Weight (lbs)
SWBR-6-4-L	5/8	3 1/4	20000	4



Transformer Mounts

MPS transformer mounting brackets are used in heavy duty applications for mounting transformers 167 - 500kVA.

Features

- Locking slot for a 3/4" diameter pole mounting bolt
- Recessed notched slot for locking through bolt and adjusting vertical spacing
- Can be installed on the transformer prior to the installation of assembly on pole
- Furnished with (2) 5/8" diameter bolts, nuts and washers for attachment to transformer
- Accommodates maximum 4000 lbs transformer weight

Material

Ductile iron hot dip galvanized

Catalog Number	Mounting Bolts		Distance from Pole to Transformer	Lug Spacing	Weight /100 (lbs)
	Transformer	Pole			
TB-4	5/8	3/4	2 1/2	7 - 14"	900