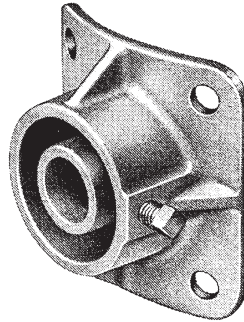


J0522



J0521

Sidewalk Guy

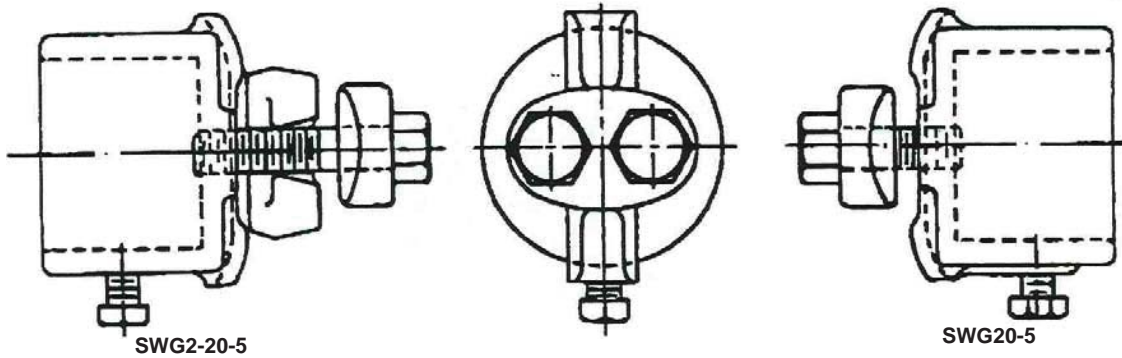
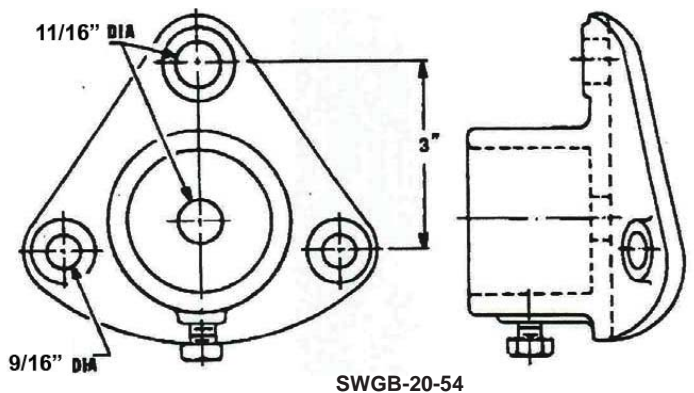
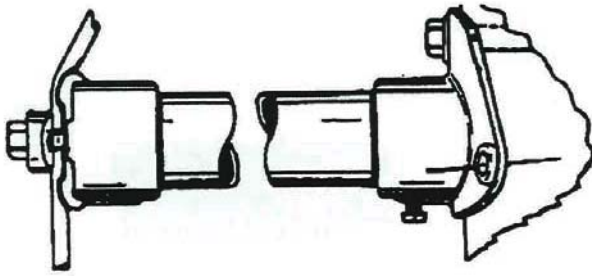
These cast iron fittings are used with standard pipe near sidewalks and buildings where there is insufficient space for standard guying and where head clearance must be maintained.

Features

- SWGB-20-54 pole plate is mounted with one 5/8" bolt and two 1/2" lag screws
- SWG-20-5 end fitting clamps the strand
- SWG2-20-5 accomodates 2 guy wires
- The J0521 pole plate has four 9/16" holes for mounting with lag screws.
- The J0522 end fitting requires a J931 guy clamp which must be ordered separately. The 5/8 x 2-1/2" track bolt replaces one of the 'outer' bolts of the J931 guy clamp.

Material

Ductile iron hot dip galvanized



Catalog Number	Description	Wire Range	Pipe Size	Weight /100 (lbs)
SWG2-20-5	Double Clamp End Fitting	5/16" to 9/16"	2	500
SWG-20-5	Clamp End Fitting	1/4" to 9/16"	2	400
SWGB-20-54	Pole Plate		2	225
J0521	Pole Plate		2 & 2 1/2	495
J0522	Clamp Bolt End Fitting		2 & 2 1/2	350