



# Gains



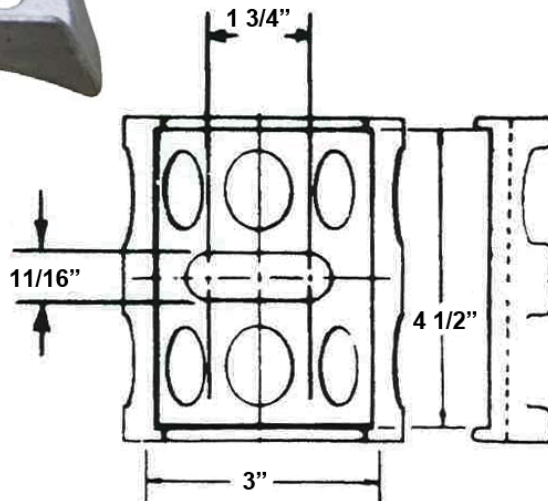
## Grid

### Features

- Teeth and integral ribs provide increased stability and resistance to movement both with and across the wood grain
- Strengthens bolt connections and helps resist slotting of the bolt hole by distributing the load over larger wood area
- Curved back provides smooth interface with large pole diameter range
- Flat side increases stability of mounted crossarms

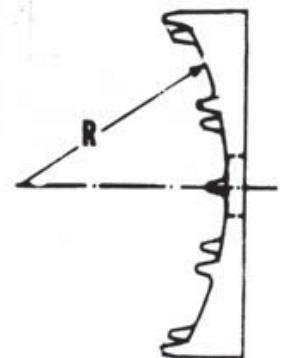
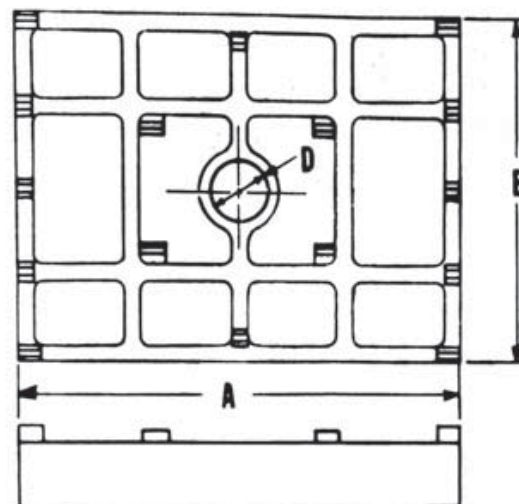
### Material

Ductile iron hot dip galvanized



Catalog Number	Pole Range	Bolt Dia. (in)	Crossarm Height	Weight /100 (lbs)
CAG-44-5	5 - 11"	5/8	4 1/2"	110

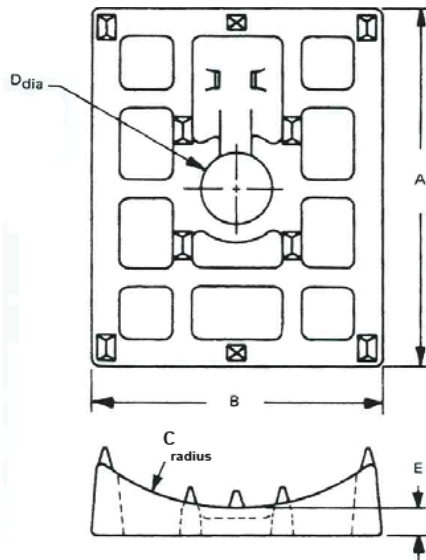
Notes:  
Crossarm height is a recommendation



Catalog Number	Pole Range	A	B	D	R	Weight /100 (lbs)
GGSF-4040-7	6 - 16"	4	4	15/16	3 1/2	200
GGSF-6640-7	6 - 15"	6 3/4	4 1/8	15/16	4 1/2	220
GGSF-5340-6	6 - 11"	5 5/16	4	13/16	3	200
GGSF-7052-7	10 - 16"	7	5 1/4	15/16	5	220
GGSF-7052-8	10 - 16"	7	5 1/4	1 1/16	5	220



# Gains



## Grid

**Material**  
Aluminum alloy

Catalog Number	Pole Range	A	B	C	D	E	Weight /100 (lbs)
GSF-44-7	6 - 16"	4	4	3 1/2	15/16	5/16	64
GSF-54-6	6 - 16"	5	4	3	13/16	3/8	76
GSF-54-7	6 - 16"	5	4	3	15/16	3/8	73

## Grid

**Material**  
Ductile iron hot dip galvanized

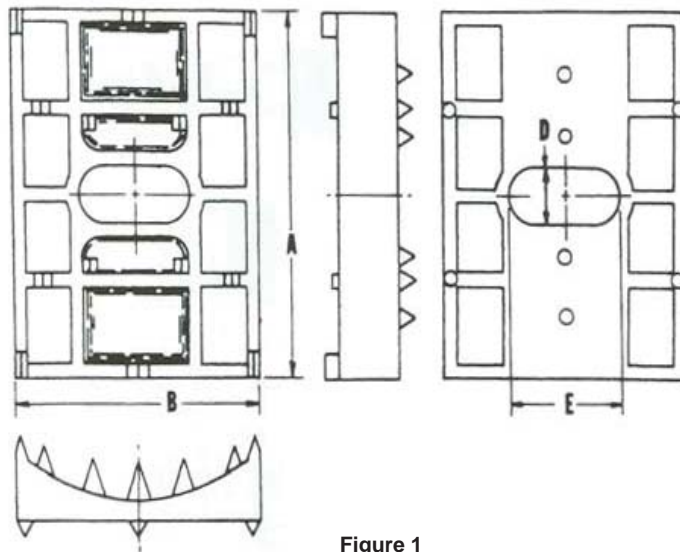


Figure 1

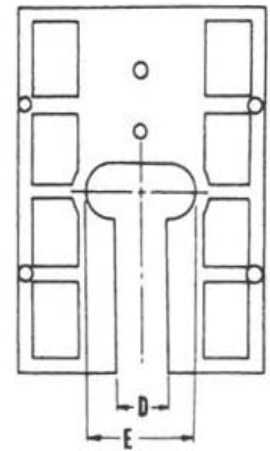


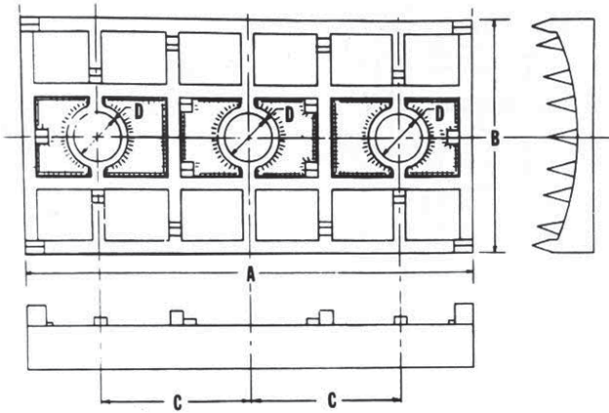
Figure 2

Catalog Number	Fig	Pole Range	A	B	D	E	Weight /100 (lbs)
GPA-43-6	1	6 - 11"	4	3	13/16	13/16	100
GPA-43-6T	2	6 - 11"	4	3	13/16	13/16	100
GPA-44-6	1	6 - 11"	4	4	13/16	13/16	120
GPA-54-6	1	6 - 11"	5	4	13/16	13/16	200
GPA-54-6T	2	6 - 11"	5	4	13/16	13/16	200

**Notes:**  
Add suffix "T" for T-slot (open slot per illustration)



# Gains



## Grid

### Material

Ductile iron hot dip galvanized

Catalog Number	Pole Range	A	B	C	D	Weight /100 (lbs)
GRF-9045-7	9 - 16"	9	4 1/2	3	15/16	300
GRF-1060-8LT	9 - 16"	10	6	3	1 1/16	730
GRF-1060-10LT	9 - 16"	10	6	3	1 5/16	700

### Notes:

Suffix "LT" indicates less teeth

## Grid

### Material

Aluminum alloy

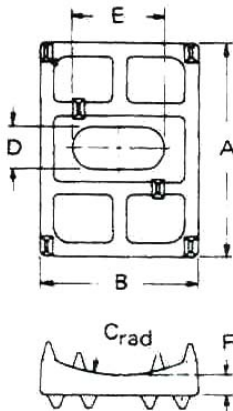


Figure 1

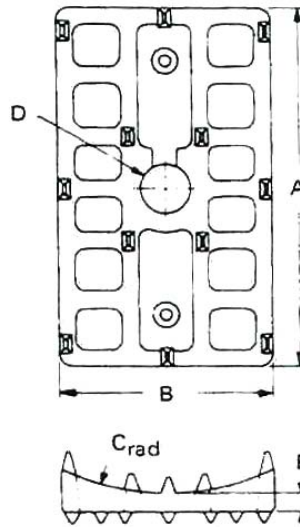


Figure 2

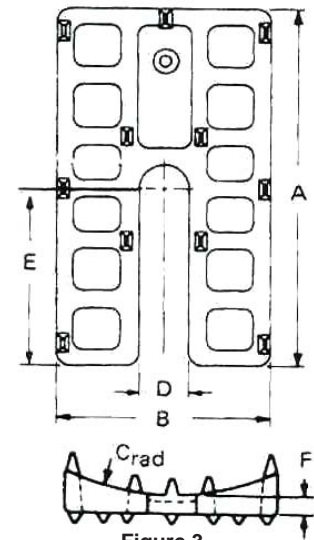
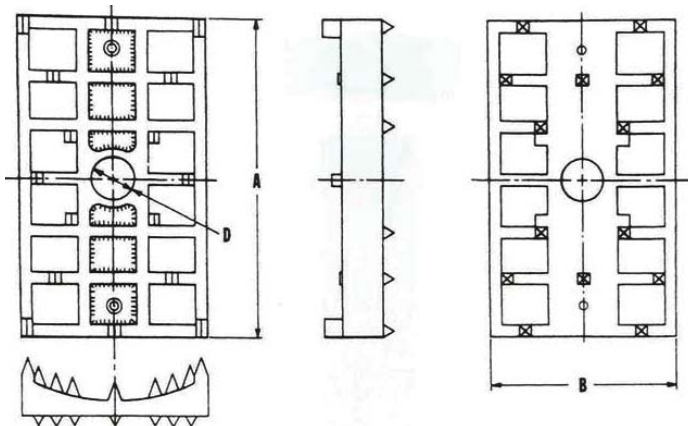


Figure 3

Catalog Number	Fig	Pole Range	A	B	C	D	E	F	Weight /100 (lbs)
CAG-44-6	1	6 - 11"	4	4	3 1/2	13/16	1 5/8	3/8	51
CAG-54-6T	3	6 - 11"	5 1/4	4	3	13/16	2 5/8	9/32	62
CAG-74-7	2	9 - 15"	6 3/4	4	4 1/2	15/16		3/8	90



## Grid

### Material

Ductile iron hot dip galvanized

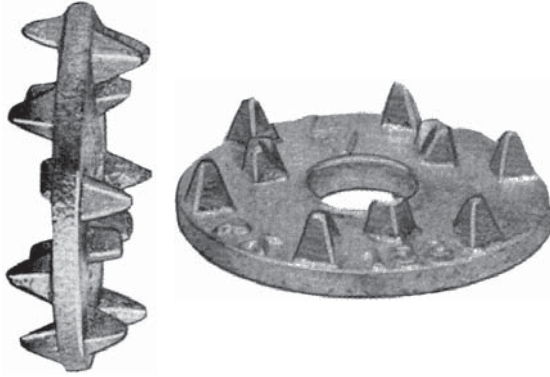
Catalog Number	Pole Range	Bolt Size (in)	A	B	D	Weight /100 (lbs)
GCA-74-7	6 - 11"	7/8	6 3/4	4	15/16	200

### Notes:

Add suffix "B" for bond clip



# Gains



## Grid

### Features

- Timber connectors resist slotting of the bolt hole in the transfer of loads and connection of two wood members
- The integral teeth penetrate into the wood to assist in distributing the load over a larger wood surface area than the bolt hole only

### Material

Ductile iron hot dip galvanized

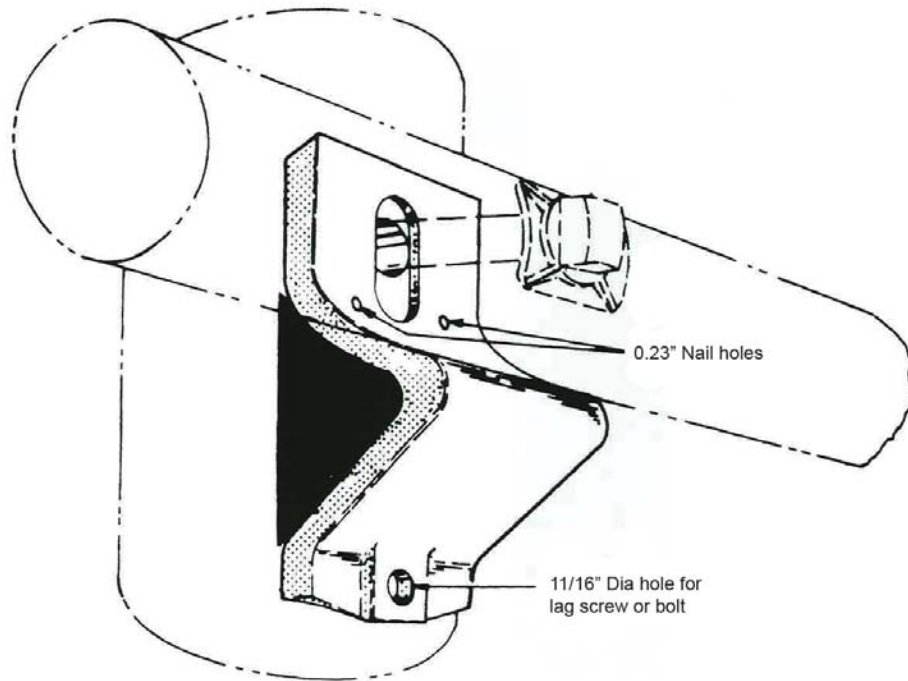
Catalog Number	Outside Dia.	Hole Dia.	Weight /100 (lbs)
PX156	2 1/2	11/16	40

## Grid

For round / spar arm construction applications.

### Material

Ductile Iron hot dip galvanized



Catalog Number	Max Bolt Size	Crossarm Dia.	Weight /100 (lbs)
SABS-15	1"	6 - 12"	510