



Guy Attachments

Deadend Tee

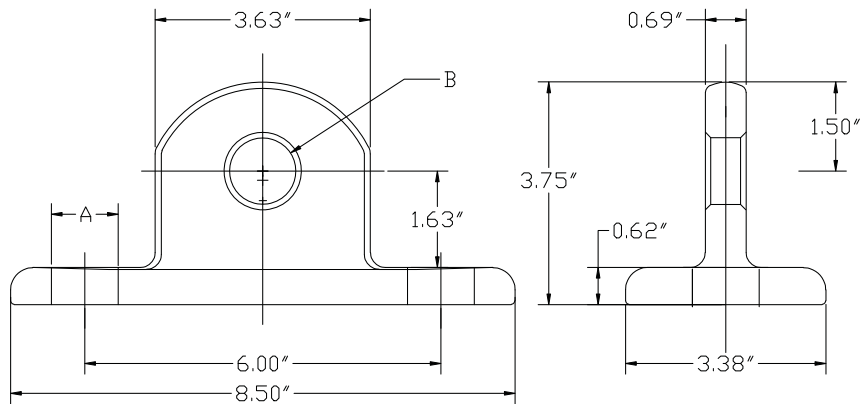


Features:

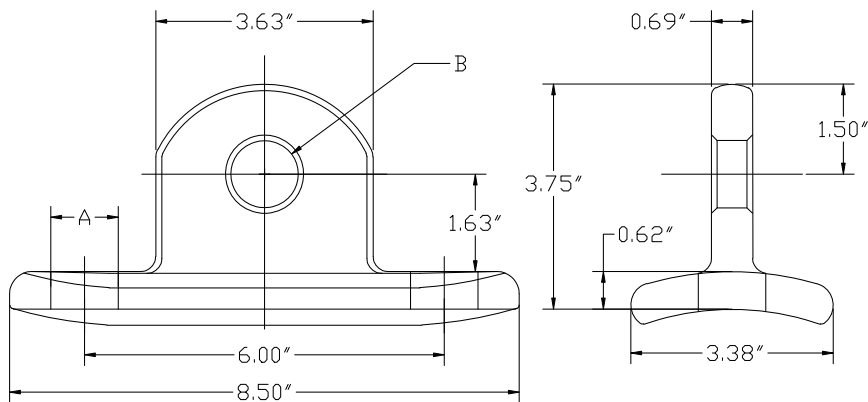
- Available with either flat mounting base (DET series) or curved mounting base (DETR series)
- Used for high strength, pole connection interface to clevises, thimble clevises, insulators, shackles and other deadend attachments.
- For use on wood, steel, concrete or fiberglass poles

Material

Steel - Hot Dip Galvanized



Catalog Number	Dimensions		Ultimate Strength	Weight /100 lbs
	A	B		
DET60K-79	15/16"	1-1/4"	60,000	565
DET60K-88	1-1/16"	1-1/8"	60,000	565



Catalog Number	Dimensions		Ultimate Strength	Weight /100 lbs
	A	B		
DETR60K-67	13/16"	15/16"	60,000	565
DETR60K-88	1-1/16"	1-1/8"	60,000	565