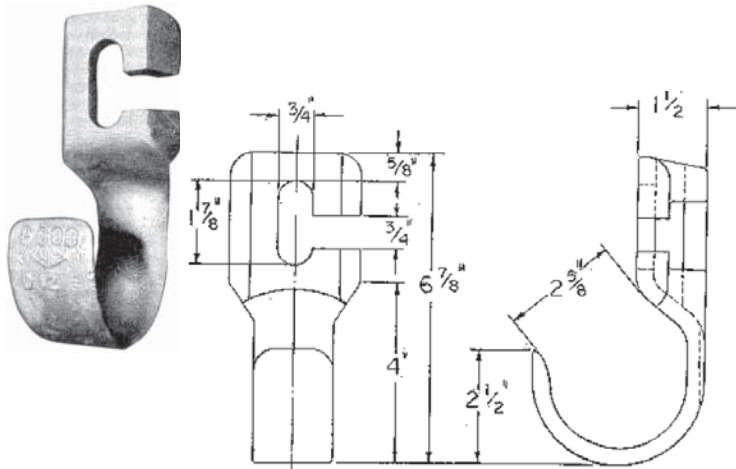




# Hooks and Insulators



## Placing, Type B

The type B placing hook is used as a stringing tool to facilitate the installation of a figure 8 cable.

### Features

- The hollow base of the hook permits installation over the nut and washer of the through bolt
- The horizontal slot of the hook allows the hook to be removed for re-use after the cable is secured to the cable suspension clamp and thru bolt
- The hook can remain installed between the pole and the cable suspension clamp

### Material

Steel hot dip galvanized

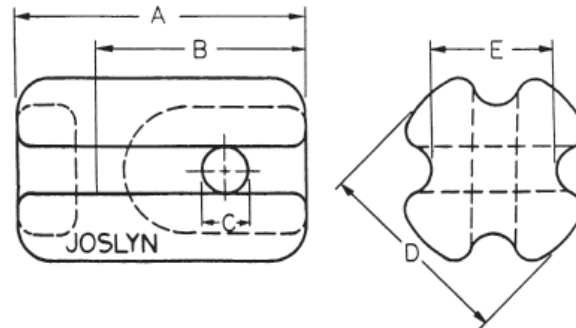
Catalog Number	Mounting Bolt Dia	Weight /100 (lbs)
P338	5/8	215



## Guy Strain

### Material

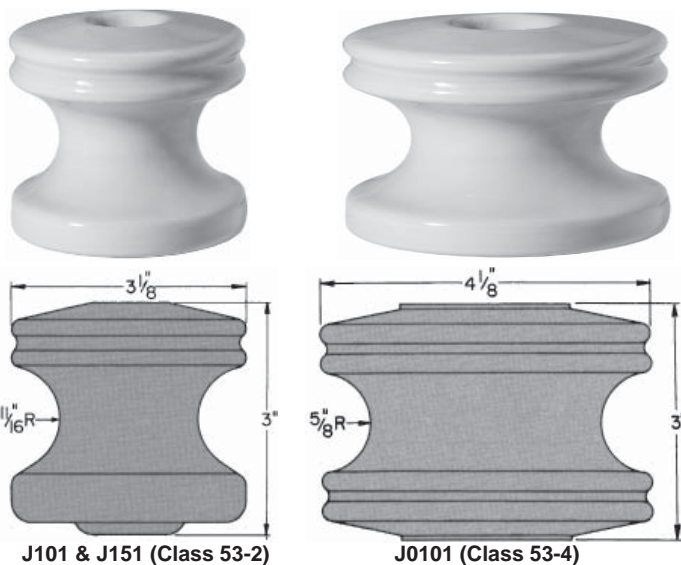
Porcelain



Catalog Number	Max Cable Dia (in)	A	B	C	D	E	Rated Ultimate Strength (lbs)	Max Work Load (lbs)	Weight /100 (lbs)
L502	3/8	3 1/2	2 5/8	5/8	2 1/2	1 3/4	10000	5000	120
L504	1/2	4 1/2	3 1/4	7/8	2 7/8	2 1/8	12000	6000	170
L506	5/8	5 1/2	4 5/16	1	3 3/8	2 3/8	20000	10000	290

### Notes:

- 1) Typical system voltage: L502 (2.2); L504 (4.4); L506 (6.6)
- 2) Horizon glaze (light gray) is standard color



J101 & J151 (Class 53-2)

J0101 (Class 53-4)

## Spool

### Material

Porcelain

Catalog Number	Insulator Type	Bolt Dia (in)	Weight /100 (lbs)
J101	Dry Process	5/8	116
J151	Wet Process	5/8	120
J0101	Wet Process	5/8	256

### Notes:

Horizon glaze (light gray) is standard color