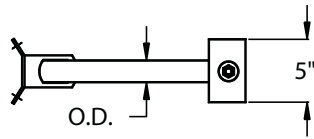




Mast Arms

Mast Arm, Floodlight, Wood Pole Mounting



Features

- 3/8" grounding hardware included

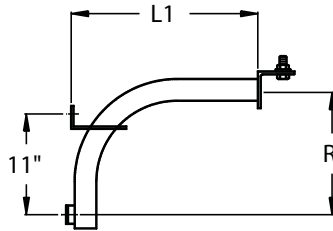
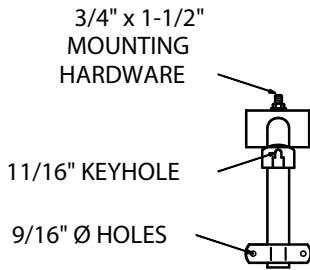
Material

Steel hot dip galvanized

Catalog Number	OD (in)	L1	R	Weight Ea (lbs)
S-2-1.5F	2.38	18	14	11.1
S-2-1.67F	2.38	20	14	12.0
S-2-2F	2.38	24	14	12.8
S-2-2.5F	2.38	30	14	14.1

Notes:

2.38" OD equals 2" IPS



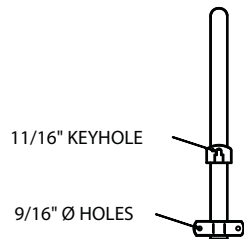
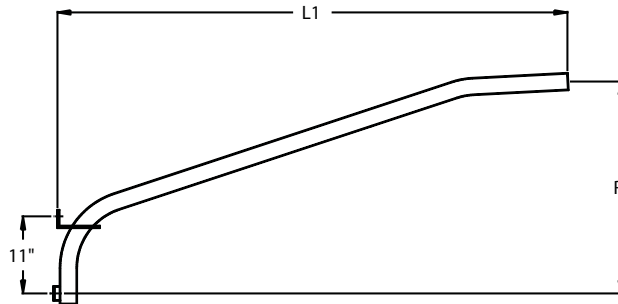
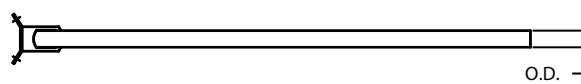
Mast Arm, Wood Pole Mounting

Features

- 3/8" grounding hardware included

Material

Steel hot dip galvanized or aluminum



Catalog Number	Material	OD (in)	L1	R	Weight Ea (lbs)
S-125-2G	Steel	1.66	24	18	9.0
S-125-2.5G	Steel	1.66	30	18	10.0
S-2-2.5G	Steel	2.38	30	18	13.0
S-125-4G	Steel	1.66	42	18	12.0
S-125-6G	Steel	1.66	66	30	15.5
S-2-6G	Steel	2.38	66	30	21.5
S-125-8G	Steel	1.66	90	42	19.5
S-2-8G	Steel	2.38	90	42	27.0
A-2-6G	Aluminum	2.38	66	30	11.0
A-2-8G	Aluminum	2.38	90	42	14.0

Notes:

- 1) 1.66" OD equals 1 1/4" IPS
- 2) 2.38" OD equals 2" IPS



Mast Arms

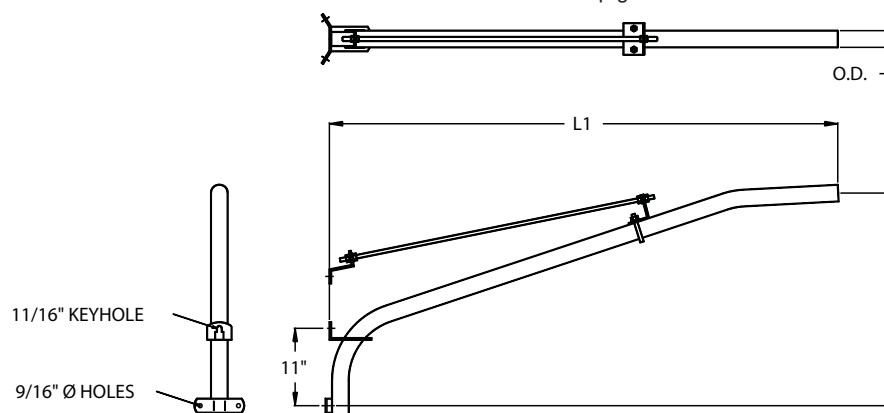
Mast Arm, Wood Pole Mounting

Features

- 3/8" grounding hardware included

Material

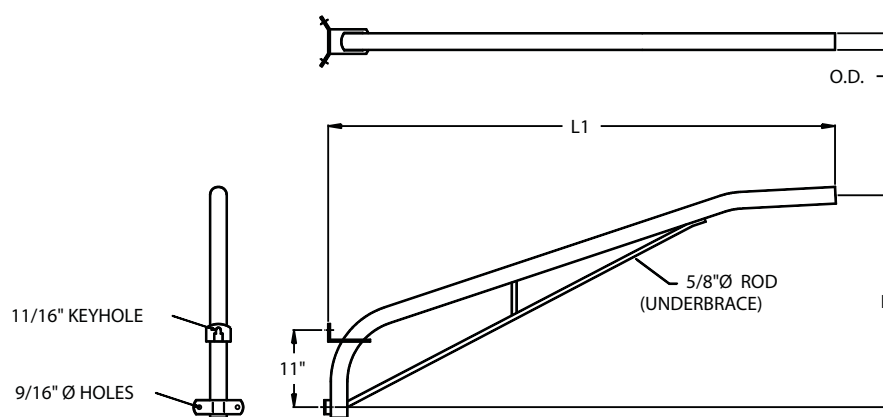
Steel hot dip galvanized



Catalog Number	Material	OD (in)	L1	R	Weight Ea (lbs)
S-125-6SG	Steel	1.66	66	30	21.3
S-125-8SG	Steel	1.66	90	42	25
S-2-8SG	Steel	2.38	90	42	32.4
S-125-10SG	Steel	1.66	114	48	30
S-2-10SG	Steel	2.38	114	48	39
S-125-12SG	Steel	1.66	138	60	35.5

Notes:

- 1) 1.66" OD equals 1 1/4" IPS
- 2) 2.38" OD equals 2" IPS



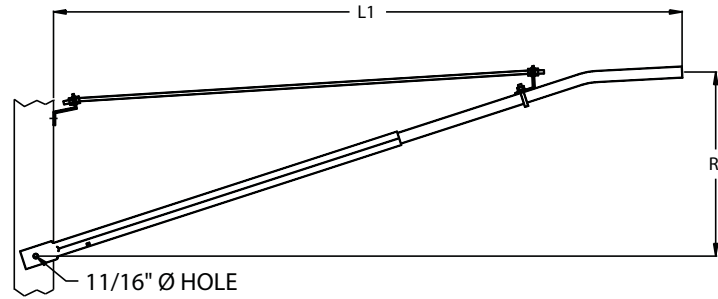
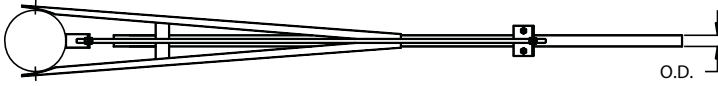
Catalog Number	Material	OD (in)	L1	R	Weight Ea (lbs)
S-125-8UB	Steel	1.66	90	42	29.1

Notes:

- 1) 1.66" OD equals 1 1/4" IPS
- 2) 2.38" OD equals 2" IPS



Mast Arms



Mast Arm, Wood Pole Mounting

Features

- 3/8" grounding hardware included

Material

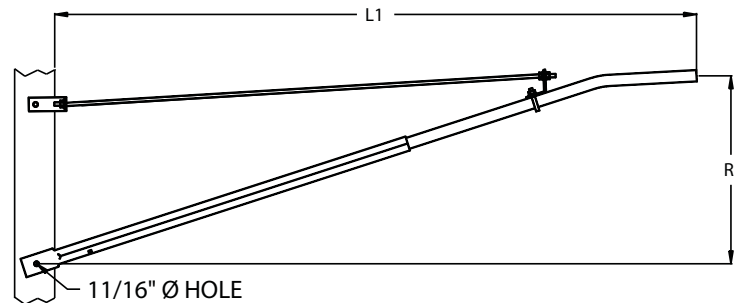
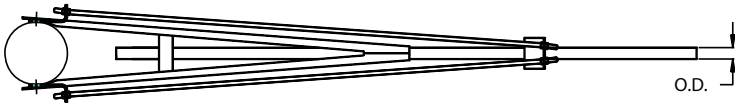
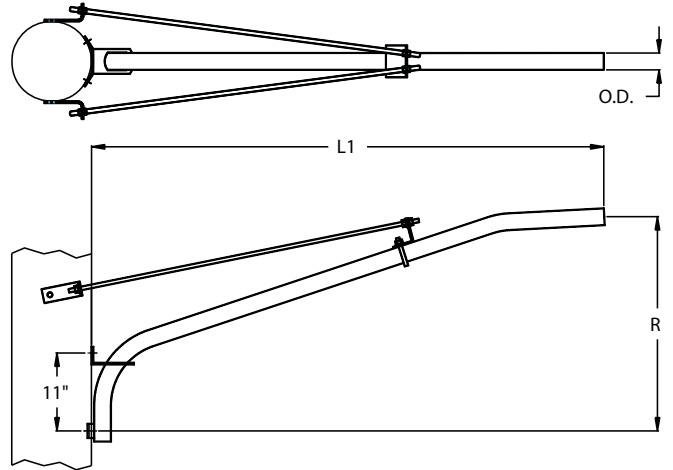
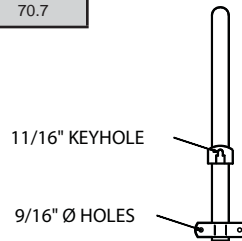
Steel hot dip galvanized

Catalog Number	Material	OD (in)	L1	R	Weight Ea (lbs)
S-125-10ASG	Steel	1.66	114	32	42.4
S-125-12ASG	Steel	1.66	138	40	48.9
S-125-16ASG	Steel	1.66	186	58	70.6
S-125-18ASG	Steel	1.66	210	62	72

- Notes:
1) 1.66" OD equals 1 1/4" IPS

Catalog Number	Material	OD (in)	L1	R	Weight Ea (lbs)
S-125-10DG	Steel	1.66	114	48	37
S-125-12DG	Steel	1.66	138	60	43.9
S-2-12DG	Steel	2.38	186	60	54.8
S-125-14DG	Steel	1.66	162	60	50
S-2-16DG	Steel	2.38	186	72	70.7

- Notes:
1) 1.66" OD equals 1 1/4" IPS
2) 2.38" OD equals 2" IPS



Catalog Number	Material	OD (in)	L1	R	Weight Ea (lbs)
S-2-14ADG	Steel	2.38	162	47	79
S-2-20ADG	Steel	2.38	234	67	105

- Notes:
1) 2.38" OD equals 2" IPS