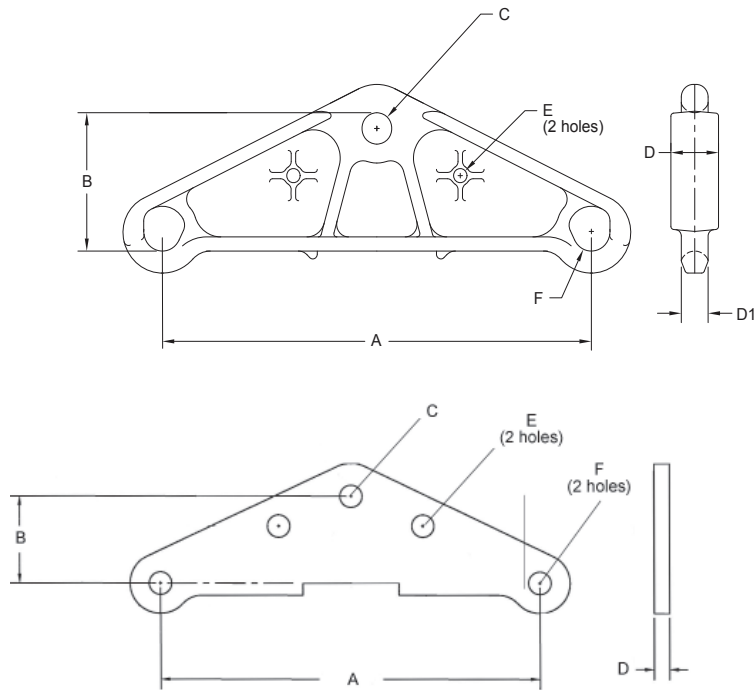




Yoke Plates

Y	2	TT	030	A	18	00
YP Series	# of Cond.	Yoke Plate Type	Ult. Strength	Material	Spacing	MPS ID
	1 2 3 4 6	TT = Tangent Triangular DT = DE Triangular DR = DE Rectangular VS = V-String RV = Restrained V TA = Turn Angle JS = Jumper Susp JW = Jumper w/ weight	30k 40k 50k 60k 80k 100k	A = Aluminum D = Ductile S = Steel	18" & 13"	

Tangent Triangular



Tangent Triangular Yoke Plates

Catalog Number	Ultimate Strength	Material	Dimensions (inches)						
			A	B	C	D	D1	E	F
Y2TT030A1800	32,000	Aluminum	18	5 1/2	1 1/4	2	1 1/8	9/16	1 1/2
Y2TT040S1800	40,000	Steel	18	3 5/8	15/16	5/8	---	15/16	15/16
Y2TT050D1800	50,000	Ductile Iron	18	5 1/2	1 1/4	2	1 1/8	9/16	1 1/2
Y2TT050S1800	50,000	Steel	18	3 5/8	15/16	3/4	---	15/16	15/16