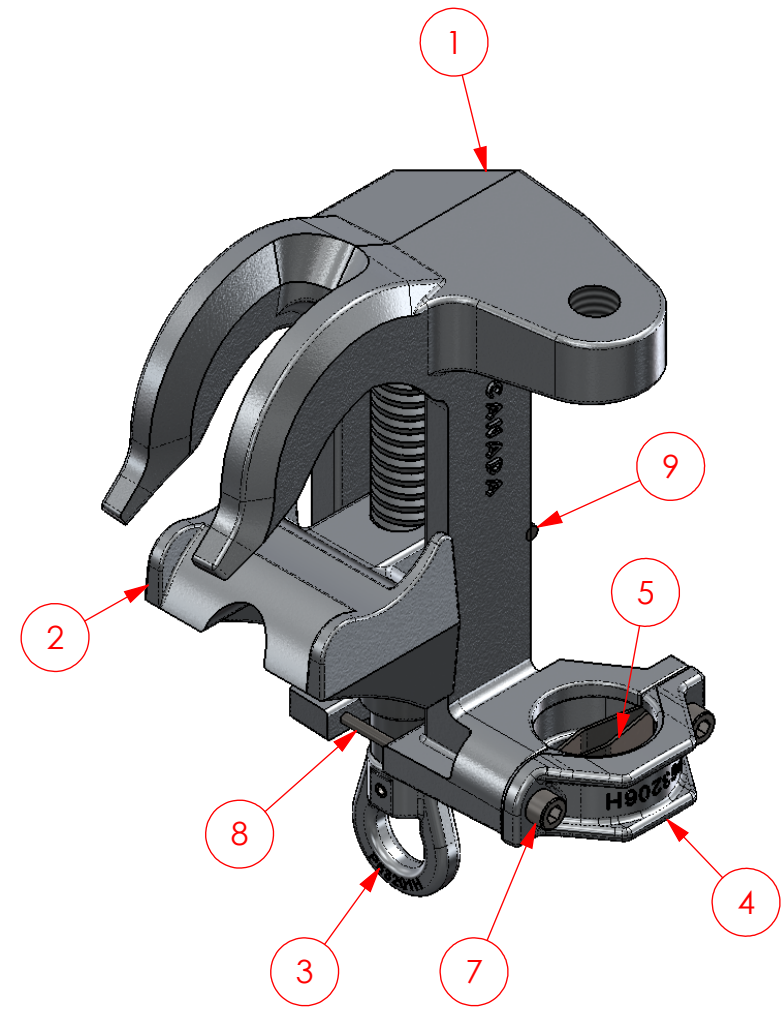
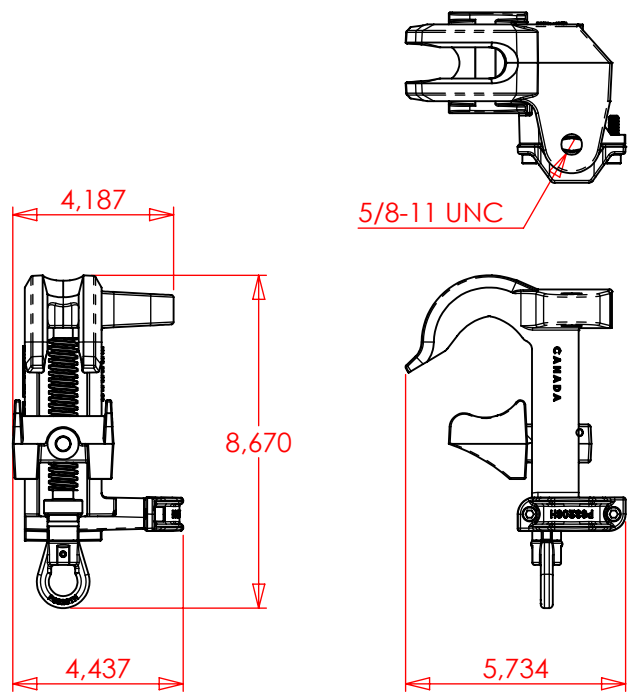


ITEM	DESCRIPTION	MATERIAL	QTY
1	4/0 "C" CLAMP BODY	ALUMINIUM A356.2-T6	1
2	"C" CLAMP LOWER JAW	ALUMINIUM A356.2-T6	1
3	SCREW AND EYE ASSEMBLY FOR 01-M-044	ALUMINIUM	1
4	4/0 STRAIN RELIEF CAP	ALUMINIUM A356-T6	1
5	SPRING BLADES FOR CLAMP ARCH AND TERMINAL	301 STAINLESS STEEL	2
6	YELLOW PLASTIC CAPPLUGS Ø0,145"	PLASTIC	1
7	SOCKET HEAD CAP SCREW, 1/4-20, 1 LENGTH	STAINLESS STEEL	2
8	1/8" X 2" DOWELL PIN	STAINLESS STEEL	1
9	3/16" X 2" DOWELL PIN	STAINLESS STEEL	1

PART NUMBER
F615722
DRAWING NUMBER
01-M-044
FORMAT
A



This drawing contains confidential information that is the property of MacLean Power Systems Canada. Use of MacLean's confidential information without MacLean's express written consent is strictly prohibited and may expose you to legal liability. If you believe that you received this material in error, please destroy it or return it to MacLean Power Systems Canada, 225 Ford, Chateauguay (Québec), Canada, J6J 4Z2

**MACLEAN
POWER
SYSTEMS**
225 Ford, Chateauguay (Qué.) Canada J6J 4Z2
Tel. (450) 698-0520 Fax: (450) 692-5670

DESCRIPTION
"C" CLAMP 4/0 AWG

PROJECT NUMBER 266	PART NUMBER F615722
SAP:	PRODUCT NUMBER 01-M-044
PAGE 1 of 1	DRAWING NUMBER 01-M-044