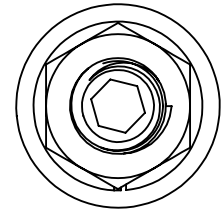
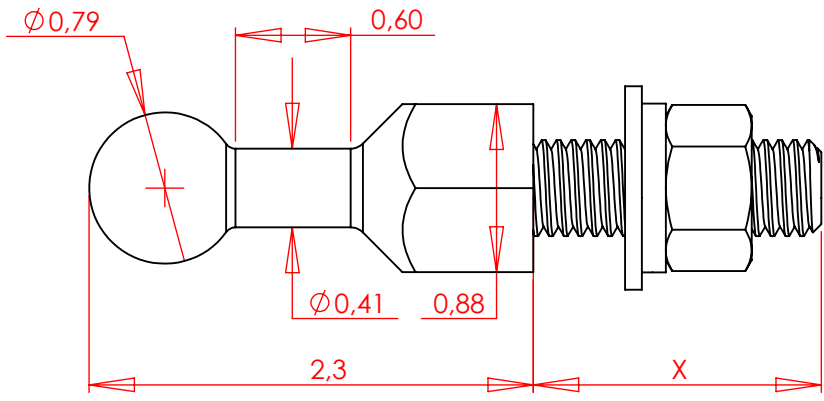
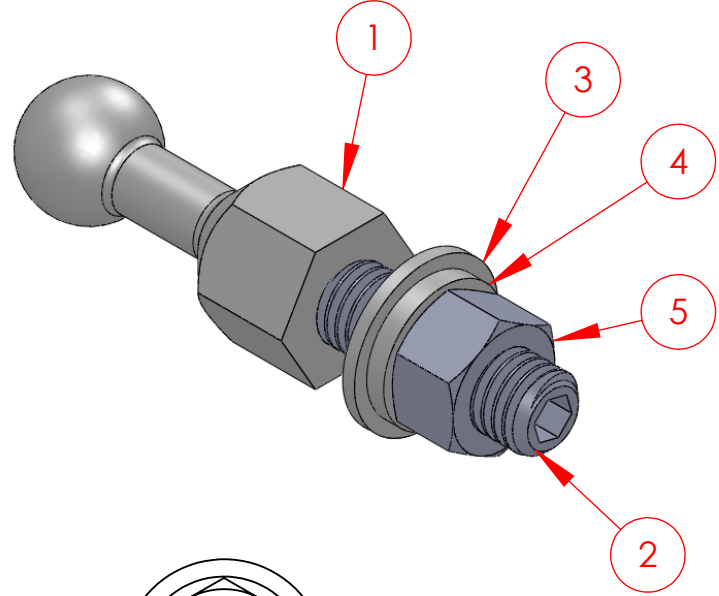


ITEM#	DESCRIPTION	MATÉRIEL	QTY.
1	POINT FIXE 20MM	CUIVRE C110-ETP	1
2	VIS PRES. 1/2-13	ACIER INOXYDABLE	1
3	RONDELLE PLATE 1/2	ACIER INOXYDABLE	1
4	RONDELLE FREIN 1/2	ACIER INOXYDABLE	1
5	ÉCROU 1/2-13	ACIER INOXYDABLE	1

Rév.	Date	Description	Par
1	xx/xx/xx	XXXXXXXXXXXXXXXXXXXXXXXXXXXX	xx

No Dessin  
**03M006X**  
 Format  
**A**



CATALOG #	SAP#	X (IN INCH)
03-M-0061	1061731	1.0
03-M-0061.5	1001154	1.5
03-M-0062	1061652	2.0

This drawing contains confidential information that is the property of MacLean Power Systems Canada. Use of MacLean's confidential information without MacLean's express written consent is strictly prohibited and may expose you to legal liability. If you believe that you received this material in error, please destroy it or return it to MacLean Power Systems Canada, 225 Ford, Chateauguay (Québec), Canada, J6J 4Z2

SAUF INDICATION CONTRAIRE, DIMENSIONS EN POUCE	
TOLERANCES SONT:	
.X	± 0.031
.XX	± 0.010
.XXX	± 0.005
ANGLES	+/- 1

**MACLEAN POWER SYSTEMS**  
 225 Ford, Chateauguay (Qué.) Canada J6J 4Z2  
 Tel. (450) 698-0520 Fax: (450) 692-5670

Nom Feuille:	<b>Feuille1</b>	1 de 1	Dessiné le:	2011-06-23
DESCRIPTION	SAP#: 1061731, 1001154, & 1061652		Dessiné par:	H.Liang
Échelle	1:1	No Projet	XXX	Approuvé par:
		No Produit	03-M-006X	AQuenneville
				No Dessin
				<b>03M006X</b>