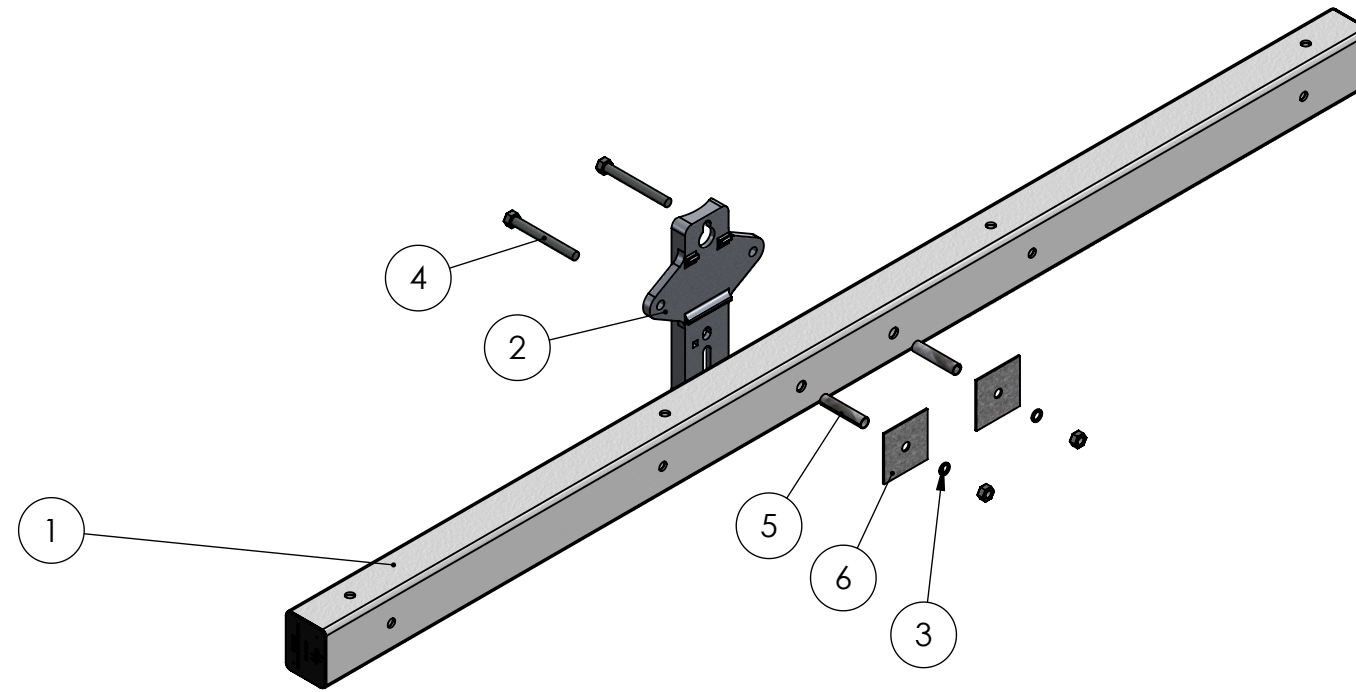



ITEM NO.	PART NUMBER	DESCRIPTION	QTY.
1	PX90008X	PX FOAMED TUBE	1
2	P61339	LIGHT DUTY TANGENT BASE - ALUMINUM	1
3	F614920	5/8" LOCKWASHER	2
4	F614572	0.625 x 6" Bolt / Nut Assem.	2
5	P82065	5/8" ID COMPRESSION LIMITING SLEEVE	2
6	P66922	4" x 4" x 11/16" ID SQUARE WASHER	2

PAPER SIZE		DRAWING NUMBER	
B		3001-023	
REVISIONS			
REV.	ECO BY	ECO DATE	ECO NUMBER
A	TJK	9/25/13	00519



THIS DRAWING CONTAINS CONFIDENTIAL INFORMATION THAT IS THE PROPERTY OF MACLEAN POWER, L.L.C. ("MACLEAN"). USE OF MACLEAN'S CONFIDENTIAL INFORMATION WITHOUT MACLEAN'S EXPRESS WRITTEN CONSENT IS STRICTLY PROHIBITED AND MAY EXPOSE YOU TO LEGAL LIABILITY. IF YOU BELIEVE THAT YOU RECEIVED THIS MATERIAL IN ERROR, PLEASE DESTROY IT OR RETURN IT TO "MACLEAN POWER, L.L.C., 7801 PARK PLACE RD., YORK, SOUTH CAROLINA 29745, USA."

CATALOG NUMBER: PX08ST003		CUSTOMER NUMBER: N/A		PART NUMBER: F454507		DRAWING NUMBER: 3001-023		DO NOT SCALE DRAWING	
PHYSICAL PROPERTIES				UNLESS OTHERWISE SPECIFIED DIMENSIONS ARE IN: INCHES		SHEET: 1 OF 2		CAD GENERATED DRAWING DO NOT MANUALLY UPDATE	
				TOLERANCES ARE:		DRAWING DESCRIPTION: PX TANGENT CROSSARM		DESIGN DATE: 4/20/09	
MATERIAL: FIBERGLASS		.XX +/- .03		 MACLEAN POWER SYSTEMS 7801 PARK PLACE RD. YORK, SC. 29745 TEL. (803) 628-2100 FAX: (803) 628-2139		DRAWN BY: TJK		ENGINEER: tkrohn	
APPROX. WEIGHT : 40 LBS		.XXX +/- .015				APPROVED: 09/30/13			
VOLUME: IN3		X/XX +/- 1/32				PRODUCT LINE: CROSSARMS			
		ANGLES +/- 1°				SCALE: 1:12.5			

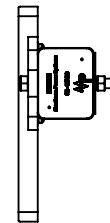
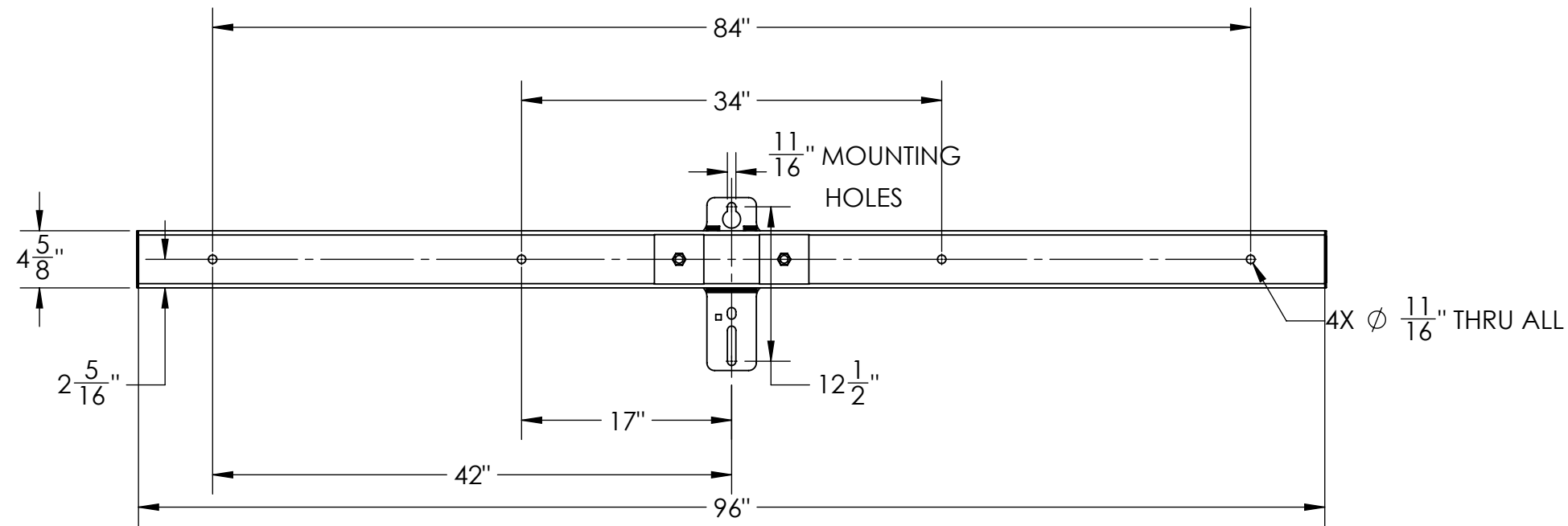
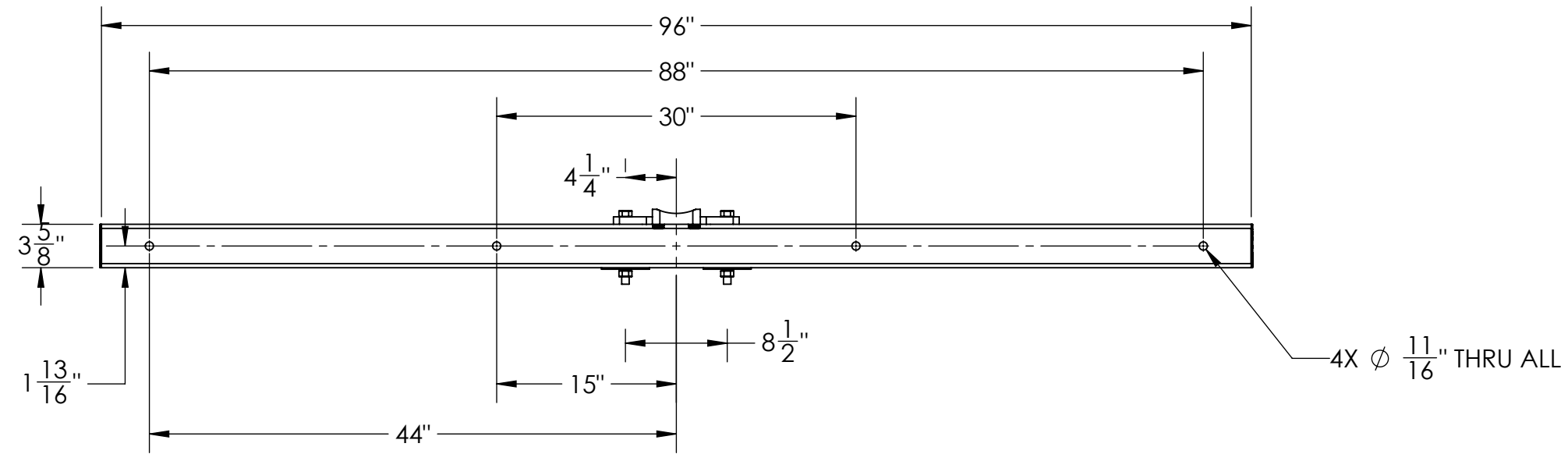
PAPER SIZE	DRAWING NUMBER
B	3001-023

D

C

B

A



CATALOG NUMBER: PX08ST003		CUSTOMER NUMBER: N/A		PART NUMBER: F454507		DRAWING NUMBER: 3001-023		DO NOT SCALE DRAWING	
PHYSICAL PROPERTIES				UNLESS OTHERWISE SPECIFIED DIMENSIONS ARE IN: INCHES		SHEET: 2 OF 2		CAD GENERATED DRAWING DO NOT MANUALLY UPDATE	
				TOLERANCES ARE:		DRAWING DESCRIPTION: PX TANGENT CROSSARM		DESIGN DATE: 4/20/09	
MATERIAL: FIBERGLASS		APPROX. WEIGHT : 40 LBS		.XX +/- .03		.XXX +/- .015		DRAWN BY: TJK	
VOLUME: IN3				X/XX +/- 1/32		X/XX +/- 1/32		ENGINEER: tkrohn	
				ANGLES +/- 1°		7801 PARK PLACE RD. YORK, SC. 29745		APPROVED: 09/30/13	
				TEL. (803) 628-2100 FAX: (803) 628-2139		PRODUCT LINE: CROSSARMS		SCALE: 1:12.5	

THIS DRAWING CONTAINS CONFIDENTIAL INFORMATION THAT IS THE PROPERTY OF MACLEAN POWER, L.L.C. ("MACLEAN"). USE OF MACLEAN'S CONFIDENTIAL INFORMATION WITHOUT MACLEAN'S EXPRESS WRITTEN CONSENT IS STRICTLY PROHIBITED AND MAY EXPOSE YOU TO LEGAL LIABILITY. IF YOU BELIEVE THAT YOU RECEIVED THIS MATERIAL IN ERROR, PLEASE DESTROY IT OR RETURN IT TO "MACLEAN POWER, L.L.C., 7801 PARK PLACE RD., YORK, SOUTH CAROLINA 29745, USA."