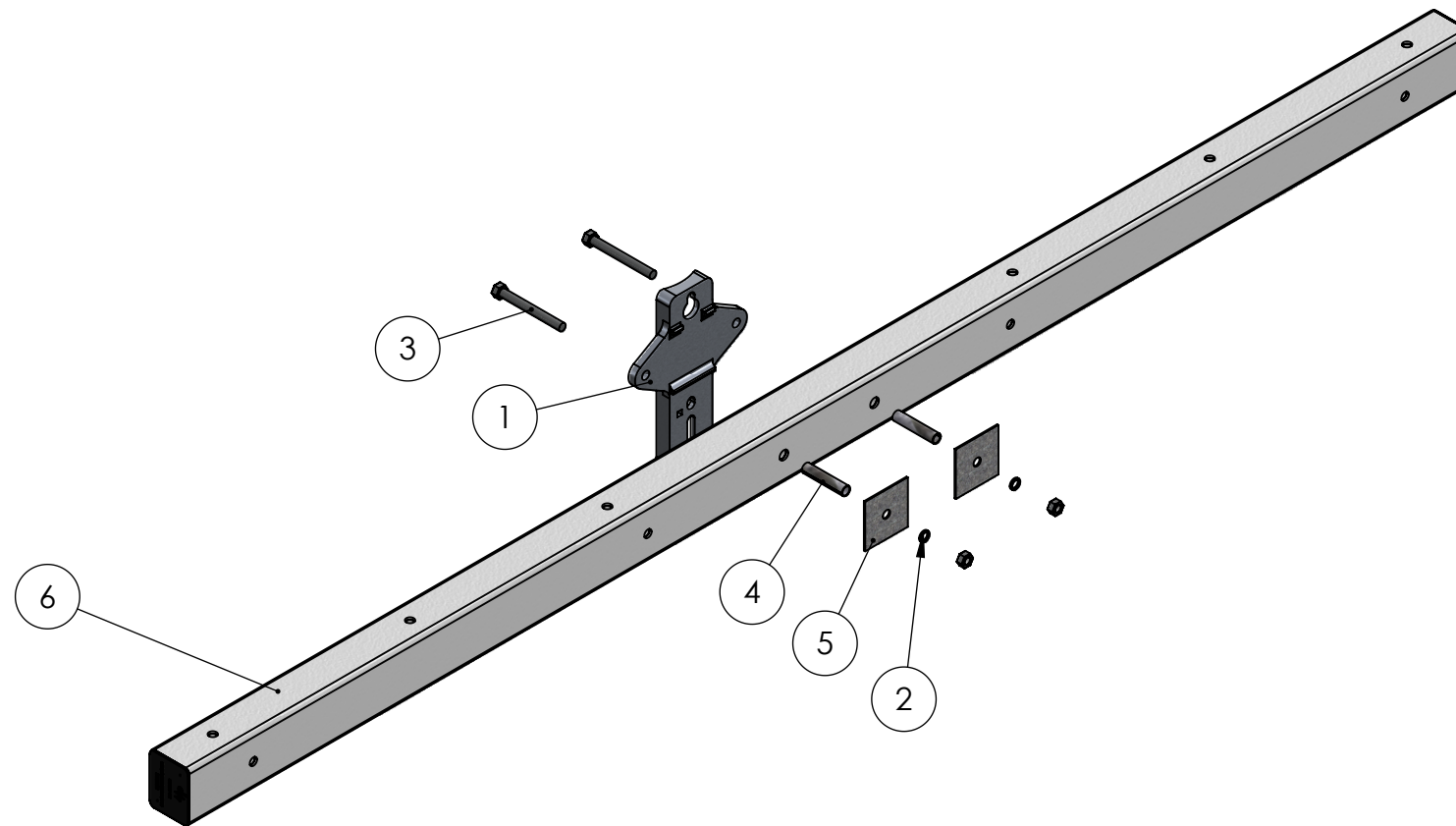



ITEM NO.	PART NUMBER	DESCRIPTION	QTY.
1	P61339	LIGHT DUTY TANGENT BASE - ALUMINUM	1
2	F614920	5/8" LOCKWASHER	2
3	F614572	0.625 x 6" Bolt / Nut Assem.	2
4	P82065	5/8" ID COMPRESSION LIMITING SLEEVE	2
5	P66922	4" x 4" x 11/16" ID SQUARE WASHER	2
6	PX90010X	PX FOAMED TUBE	1

PAPER SIZE		DRAWING NUMBER	
B		3001-025	
REVISIONS			
REV.	ECO BY	ECO DATE	ECO NUMBER
A	TJK	9/25/13	00519



THIS DRAWING CONTAINS CONFIDENTIAL INFORMATION THAT IS THE PROPERTY OF MACLEAN POWER, L.L.C. ("MACLEAN"). USE OF MACLEAN'S CONFIDENTIAL INFORMATION WITHOUT MACLEAN'S EXPRESS WRITTEN CONSENT IS STRICTLY PROHIBITED AND MAY EXPOSE YOU TO LEGAL LIABILITY. IF YOU BELIEVE THAT YOU RECEIVED THIS MATERIAL IN ERROR, PLEASE DESTROY IT OR RETURN IT TO "MACLEAN POWER, L.L.C., 7801 PARK PLACE RD., YORK, SOUTH CAROLINA 29745, USA."

CATALOG NUMBER: PX10ST005	CUSTOMER NUMBER: N/A	PART NUMBER: F454582	DRAWING NUMBER: 3001-025	DO NOT SCALE DRAWING
PHYSICAL PROPERTIES			SHEET: 1 OF 2	CAD GENERATED DRAWING DO NOT MANUALLY UPDATE
MATERIAL:	FIBERGLASS	UNLESS OTHERWISE SPECIFIED DIMENSIONS ARE IN: INCHES	DRAWING DESCRIPTION: PX TANGENT CROSSARM	DESIGN DATE: 5/1/09
APPROX. WEIGHT :	47 LBS	TOLERANCES ARE: .XX +/- .03 .XXX +/- .015 X/XX +/- 1/32	PRODUCT LINE: CROSSARMS	DRAWN BY: TJK
VOLUME:	IN3	ANGLES +/- 1°	SCALE: 1:12.5	ENGINEER: tkrohn
 7801 PARK PLACE RD. YORK, SC. 29745 TEL. (803) 628-2100 FAX: (803) 628-2139			APPROVED: 09/30/13	

8

7

6

5

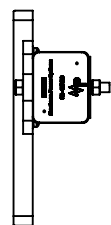
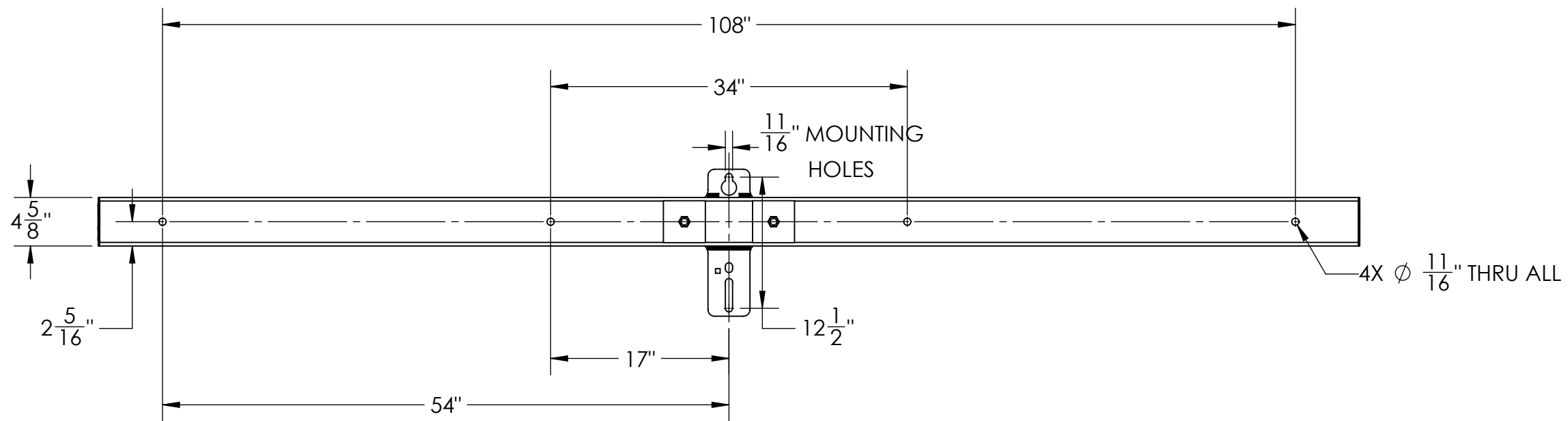
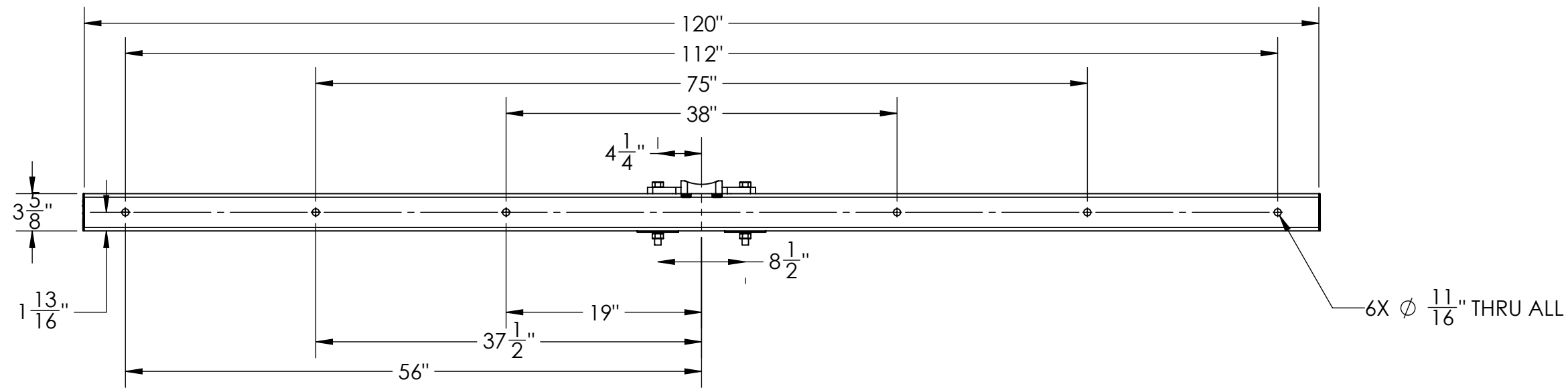
4


3

2

1

PAPER SIZE	DRAWING NUMBER
B	3001-025



CATALOG NUMBER: PX10ST005	CUSTOMER NUMBER: N/A	PART NUMBER: F454582	DRAWING NUMBER: 3001-025	DO NOT SCALE DRAWING
PHYSICAL PROPERTIES UNLESS OTHERWISE SPECIFIED DIMENSIONS ARE IN: INCHES			SHEET: 2 OF 2	CAD GENERATED DRAWING DO NOT MANUALLY UPDATE
			DRAWING DESCRIPTION: PX TANGENT CROSSARM	DESIGN DATE: 5/1/09
MATERIAL: FIBERGLASS	TOLERANCES ARE: .XX +/- .03	 MACLEAN POWER SYSTEMS 7801 PARK PLACE RD. YORK, SC. 29745 TEL. (803) 628-2100 FAX: (803) 628-2139	PRODUCT LINE: CROSSARMS	DRAWN BY: TJK
APPROX. WEIGHT : 47 LBS	.XXX +/- .015		ENGINEER: tkrohn	
VOLUME: IN3	X/XX +/- 1/32		APPROVED: 09/30/13	
	ANGLES +/- 1°		SCALE: 1:12.5	

THIS DRAWING CONTAINS CONFIDENTIAL INFORMATION THAT IS THE PROPERTY OF MACLEAN POWER, L.L.C. ("MACLEAN"). USE OF MACLEAN'S CONFIDENTIAL INFORMATION WITHOUT MACLEAN'S EXPRESS WRITTEN CONSENT IS STRICTLY PROHIBITED AND MAY EXPOSE YOU TO LEGAL LIABILITY. IF YOU BELIEVE THAT YOU RECEIVED THIS MATERIAL IN ERROR, PLEASE DESTROY IT OR RETURN IT TO "MACLEAN POWER, L.L.C., 7801 PARK PLACE RD., YORK, SOUTH CAROLINA 29745, USA."

8

7

6

5

4

3

2

1