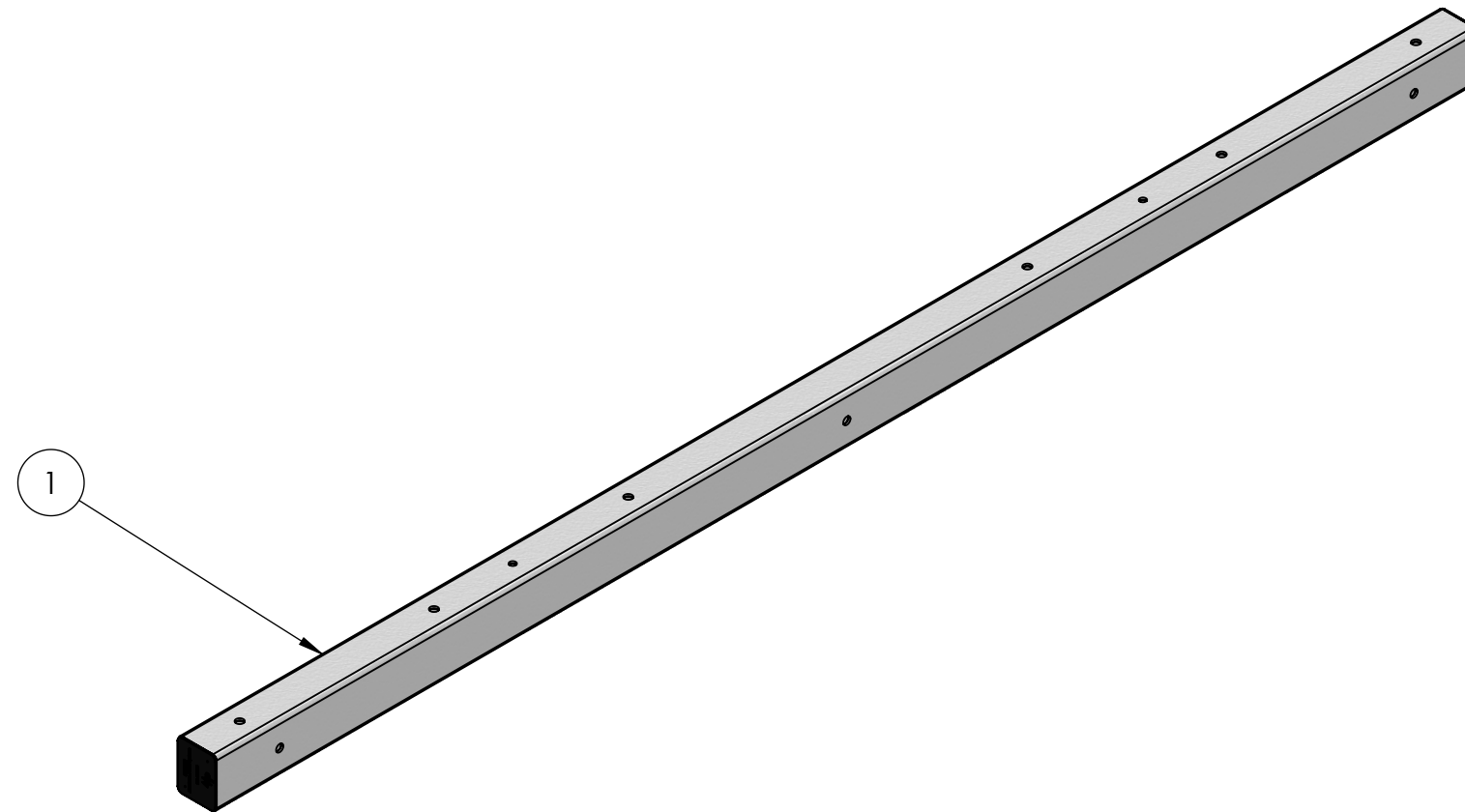


ITEM NO.	PART NUMBER	DESCRIPTION	QTY.
1	P90010X	PX FOAMED TUBE	1

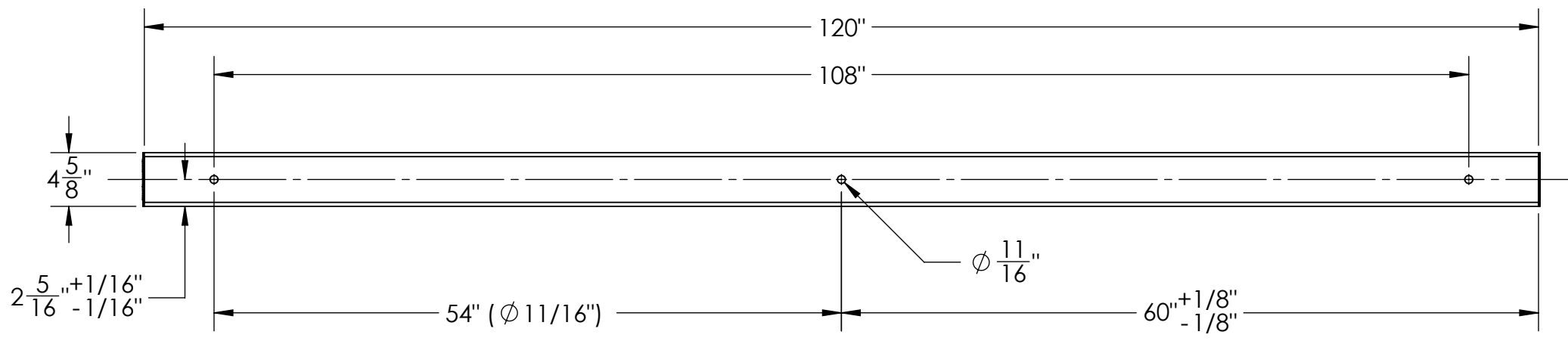
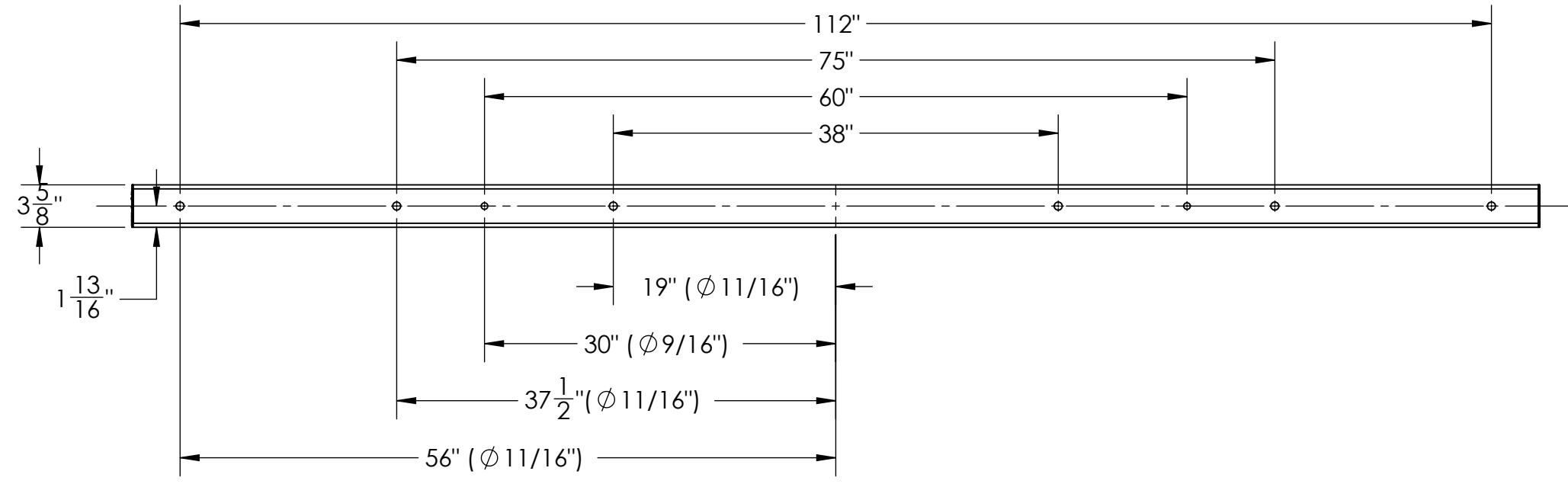
PAPER SIZE		DRAWING NUMBER	
B		3001-030	
REVISIONS			
REV.	ECO BY	ECO DATE	ECO NUMBER
A	TJK	10/7/13	00548



THIS DRAWING CONTAINS CONFIDENTIAL INFORMATION THAT IS THE PROPERTY OF MACLEAN POWER, L.L.C. ("MACLEAN"). USE OF MACLEAN'S CONFIDENTIAL INFORMATION WITHOUT MACLEAN'S EXPRESS WRITTEN CONSENT IS STRICTLY PROHIBITED AND MAY EXPOSE YOU TO LEGAL LIABILITY. IF YOU BELIEVE THAT YOU RECEIVED THIS MATERIAL IN ERROR, PLEASE DESTROY IT OR RETURN IT TO "MACLEAN POWER, L.L.C., 7801 PARK PLACE RD., YORK, SOUTH CAROLINA 29745, USA."

CATALOG NUMBER: PX10REA005	CUSTOMER NUMBER: N/A	PART NUMBER: F454501	DRAWING NUMBER: 3001-030	DO NOT SCALE DRAWING
PHYSICAL PROPERTIES			SHEET: 1 OF 2	CAD GENERATED DRAWING DO NOT MANUALLY UPDATE
UNLESS OTHERWISE SPECIFIED DIMENSIONS ARE IN: INCHES			DRAWING DESCRIPTION: PX TANGENT CROSSARM	DESIGN DATE: 7/15/09
MATERIAL: FIBERGLASS	TOLERANCES ARE:		PRODUCT LINE: CROSSARMS	DRAWN BY: TJK
APPROX. WEIGHT : 29 LBS	.XX +/- .03	.XXX +/- .015		ENGINEER: tkrohn
VOLUME: IN3	X/XX +/- 1/32	ANGLES +/- 1°	TEL. (803) 628-2100 FAX: (803) 628-2139	APPROVED: 10/07/13
			SCALE: 1:12.5	

PAPER SIZE	DRAWING NUMBER
B	3001-030



THIS DRAWING CONTAINS CONFIDENTIAL INFORMATION THAT IS THE PROPERTY OF MACLEAN POWER, L.L.C. ("MACLEAN"). USE OF MACLEAN'S CONFIDENTIAL INFORMATION WITHOUT MACLEAN'S EXPRESS WRITTEN CONSENT IS STRICTLY PROHIBITED AND MAY EXPOSE YOU TO LEGAL LIABILITY. IF YOU BELIEVE THAT YOU RECEIVED THIS MATERIAL IN ERROR, PLEASE DESTROY IT OR RETURN IT TO "MACLEAN POWER, L.L.C., 7801 PARK PLACE RD., YORK, SOUTH CAROLINA 29745, USA."

CATALOG NUMBER: PX10REA005		CUSTOMER NUMBER: N/A		PART NUMBER: F454501		DRAWING NUMBER: 3001-030		DO NOT SCALE DRAWING	
PHYSICAL PROPERTIES				UNLESS OTHERWISE SPECIFIED DIMENSIONS ARE IN:		SHEET: 2 OF 2		CAD GENERATED DRAWING DO NOT MANUALLY UPDATE	
				INCHES		DRAWING DESCRIPTION: PX TANGENT CROSSARM		DESIGN DATE: 7/15/09	
MATERIAL: FIBERGLASS		TOLERANCES ARE:		7801 PARK PLACE RD. YORK, SC. 29745		DRAWN BY: TJK		ENGINEER: tkrohn	
APPROX. WEIGHT : 29 LBS		.XX +/- .03		TEL. (803) 628-2100 FAX: (803) 628-2139		APPROVED: 10/07/13		SCALE: 1:12.5	
VOLUME: IN3		.XXX +/- .015				PRODUCT LINE: CROSSARMS			
		X/XX +/- 1/32							
		ANGLES +/- 1°							