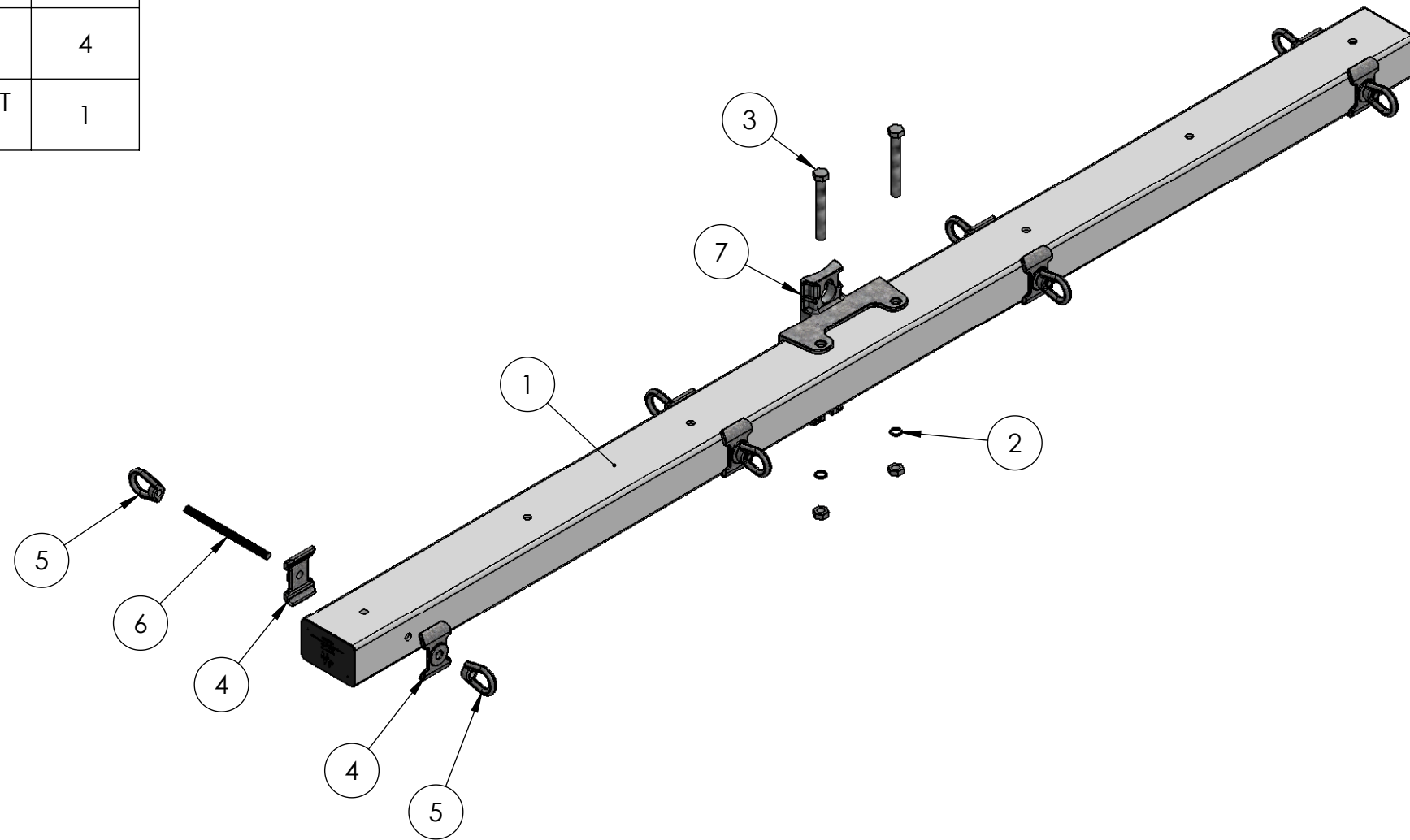



ITEM NO.	PART NUMBER	DESCRIPTION	QTY.
1	P90010Z	PZ FOAMED TUBE	1
2	F338983	3/4" LOCKWASHER	2
3	F614574	3/4" x 6" BOLT / NUT ASSEMBLY	2
4	F411241	5/8" PENTECH WASHER	8
5	F392614	5/8" OVAL EYE NUT	8
6	P67577	5/8 - 11 x 9 1/4" STUD	4
7	P69198	HEAVY DUTY DEADEND BASE - GALV. CAST IRON	1

PAPER SIZE		DRAWING NUMBER	
B		3005-033	
REVISIONS			
REV.	ECO BY	ECO DATE	ECO NUMBER
A	MHK	11/03/14	01328



CATALOG NUMBER: PZ10LD005-4E-SM		CUSTOMER NUMBER:		PART NUMBER:		DRAWING NUMBER: 3005-033		DO NOT SCALE DRAWING	
PHYSICAL PROPERTIES				UNLESS OTHERWISE SPECIFIED DIMENSIONS ARE IN: INCHES		SHEET: 1 OF 2		CAD GENERATED DRAWING DO NOT MANUALLY UPDATE	
				TOLERANCES ARE:		DRAWING DESCRIPTION: PZ DEADEND CROSSARM, 10 FT LG		DESIGN DATE: 11/03/14	
MATERIAL: FIBERGLASS		.XX +/- .03		 MACLEAN POWER SYSTEMS 7801 PARK PLACE RD. YORK, SC. 29745 TEL. (803) 628-2100 FAX: (803) 628-2139		DRAWN BY: MHK		ENGINEER: mkadel	
APPROX. WEIGHT : 109 LBS		.XXX +/- .015				APPROVED: 11/04/14			
VOLUME : IN3		X/XX +/- 1/32				SCALE: 1:12.5			
		ANGLES +/- 1°		PRODUCT LINE: CROSSARMS					

THIS DRAWING CONTAINS CONFIDENTIAL INFORMATION THAT IS THE PROPERTY OF MACLEAN POWER, L.L.C. ("MACLEAN"). USE OF MACLEAN'S CONFIDENTIAL INFORMATION WITHOUT MACLEAN'S EXPRESS WRITTEN CONSENT IS STRICTLY PROHIBITED AND MAY EXPOSE YOU TO LEGAL LIABILITY. IF YOU BELIEVE THAT YOU RECEIVED THIS MATERIAL IN ERROR, PLEASE DESTROY IT OR RETURN IT TO "MACLEAN POWER, L.L.C., 7801 PARK PLACE RD., YORK, SOUTH CAROLINA 29745, USA."

8

7

6

5

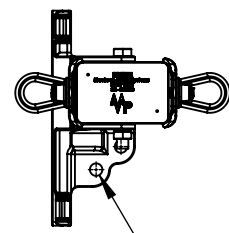
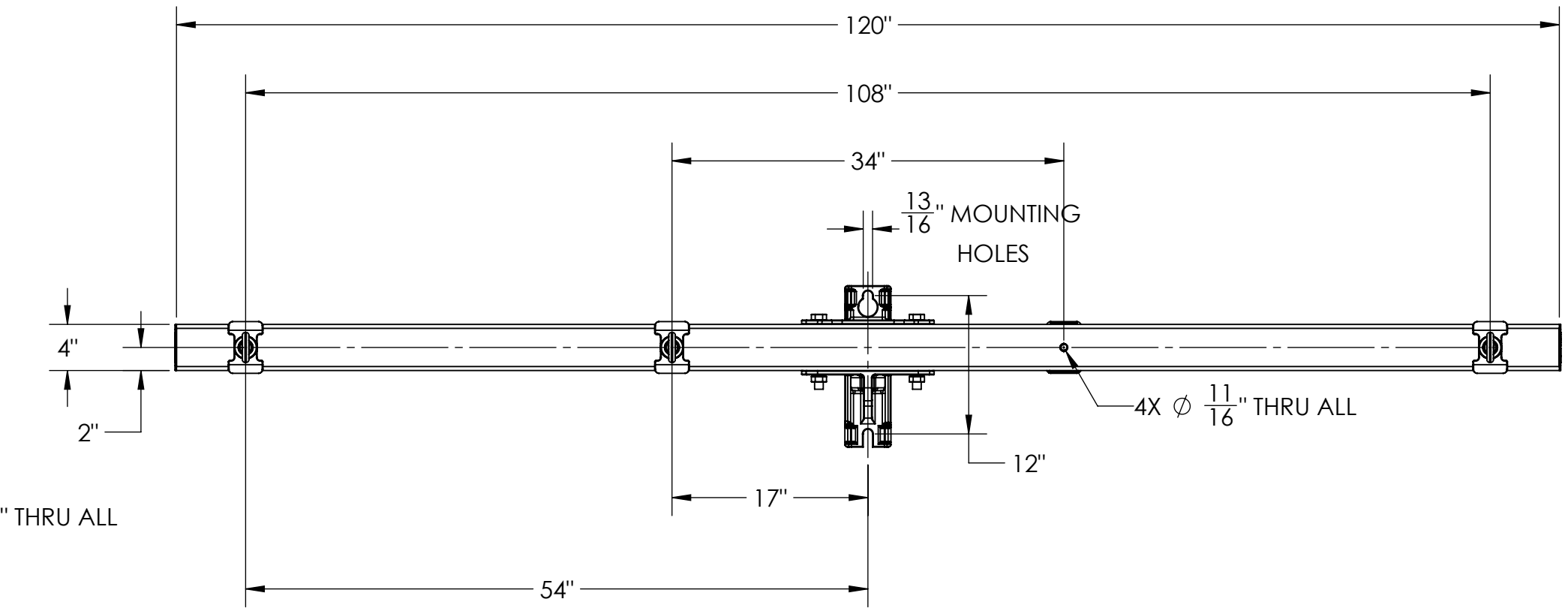
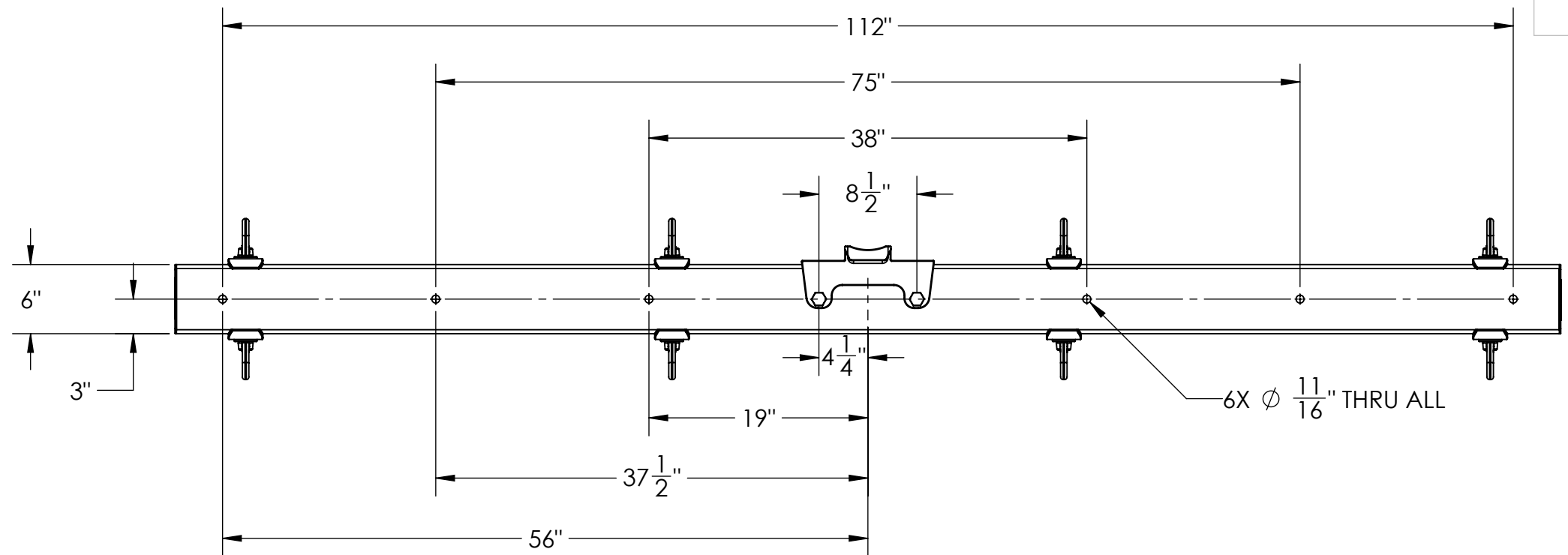
4

3

2

1

PAPER SIZE	DRAWING NUMBER
B	3005-033



Ø 13/16" THRU ALL

CATALOG NUMBER: PZ10LD005-4E-SM		CUSTOMER NUMBER:		PART NUMBER:		DRAWING NUMBER: 3005-033		DO NOT SCALE DRAWING	
PHYSICAL PROPERTIES				UNLESS OTHERWISE SPECIFIED DIMENSIONS ARE IN:		SHEET: 2 OF 2		CAD GENERATED DRAWING DO NOT MANUALLY UPDATE	
				INCHES		DRAWING DESCRIPTION: PZ DEADEND CROSSARM, 10 FT LG		DESIGN DATE: 11/03/14	
MATERIAL:	FIBERGLASS	TOLERANCES ARE:		DRAWN BY: MHK		ENGINEER: mkadel		APPROVED: 11/04/14	
APPROX. WEIGHT :	109 LBS	.XX +/- .03		PRODUCT LINE: CROSSARMS		SCALE: 1:12.5			
VOLUME:	IN3	.XXX +/- .015							
		X/XX +/- 1/32							
		ANGLES +/- 1°							



7801 PARK PLACE RD.
YORK, SC. 29745
TEL. (803) 628-2100 FAX: (803) 628-2139

THIS DRAWING CONTAINS CONFIDENTIAL INFORMATION THAT IS THE PROPERTY OF MACLEAN POWER, L.L.C. ("MACLEAN"). USE OF MACLEAN'S CONFIDENTIAL INFORMATION WITHOUT MACLEAN'S EXPRESS WRITTEN CONSENT IS STRICTLY PROHIBITED AND MAY EXPOSE YOU TO LEGAL LIABILITY. IF YOU BELIEVE THAT YOU RECEIVED THIS MATERIAL IN ERROR, PLEASE DESTROY IT OR RETURN IT TO "MACLEAN POWER, L.L.C., 7801 PARK PLACE RD., YORK, SOUTH CAROLINA 29745, USA."

8

7

6

5

4

3

2

1